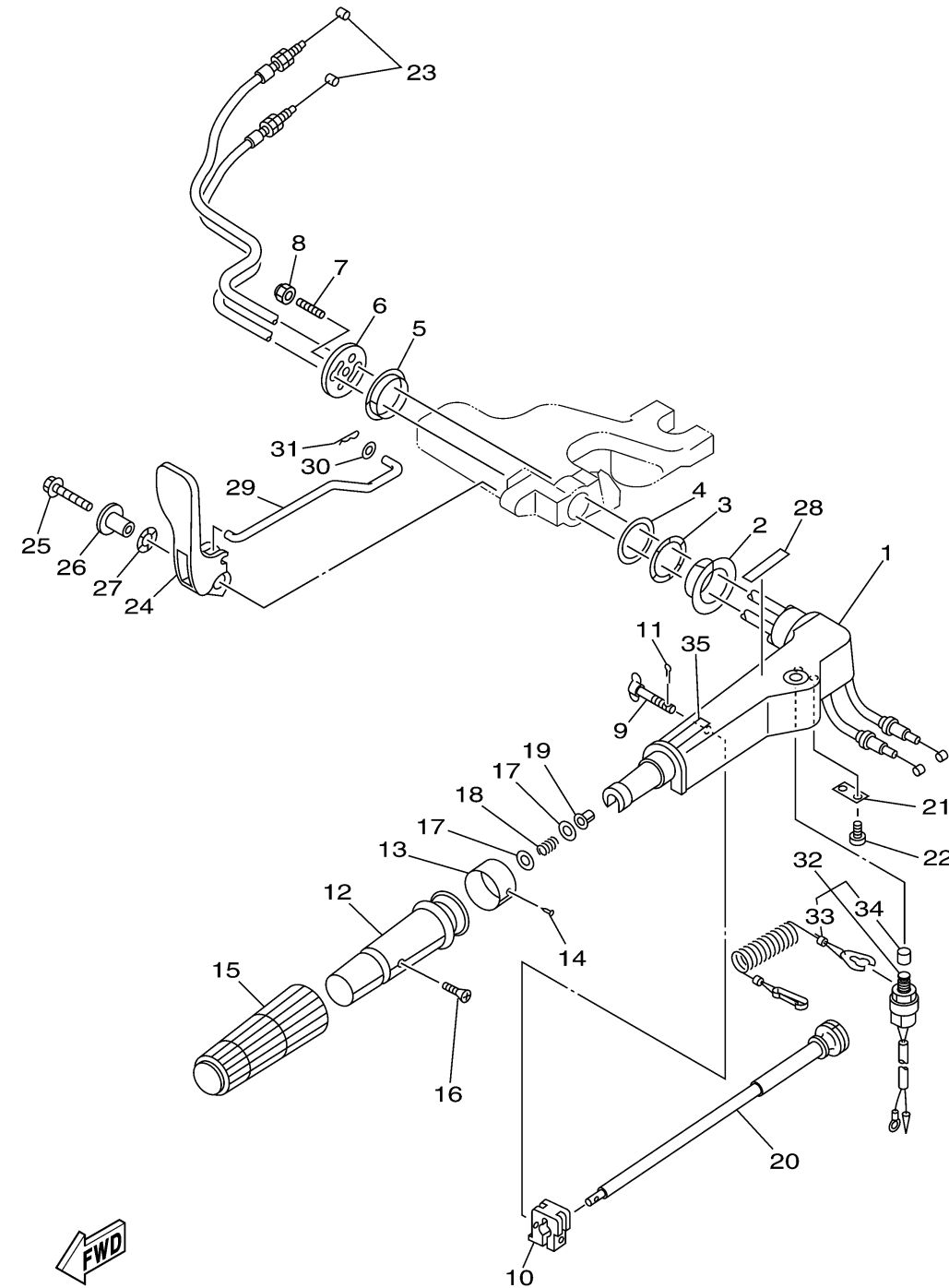


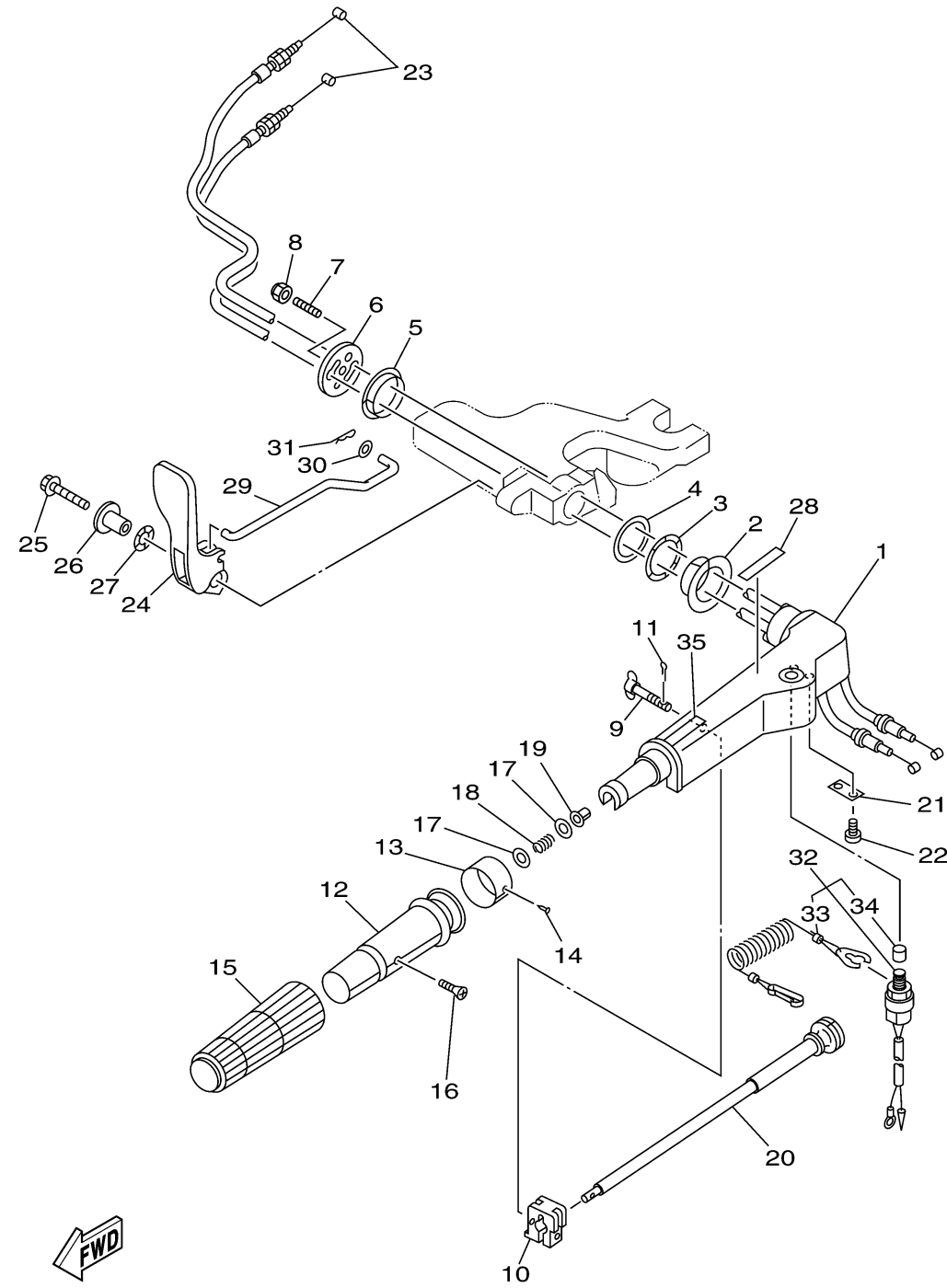
# STEERING



**FWD**  
63V6110-F120

| Ref No. | Part Number     | Description                    | Qty | Remarks |
|---------|-----------------|--------------------------------|-----|---------|
| 1       | 63V-42111-01-4D | HANDLE, STEERING               | 1   |         |
| 2       | 90386-34M97-00  | BUSH                           | 1   |         |
| 3       | 90206-36M21-00  | WASHER, WAVE                   | 1   |         |
| 4       | 90202-36M55-00  | WASHER, PLATE                  | 1   |         |
| 5       | 90386-33M96-00  | BUSH                           | 1   |         |
| 6       | 6G1-42131-02-00 | COVER, HANDLE STEERING         | 1   |         |
| 7       | 90116-08016-00  | BOLT, STUD                     | 1   |         |
| 8       | 90185-08057-00  | NUT, SELF-LOCKING              | 1   |         |
| 9       | 6G1-42125-01-00 | BOLT, FRICTION ADJUSTING       | 1   |         |
| 10      | 6G1-42126-00-00 | FRICTION, STEERING HANDLE GRIP | 1   |         |
| 11      | 91490-16010-00  | PIN. COTTER                    | 1   |         |
| 12      | 664-42119-00-00 | GRIP, STEERING HANDLE          | 1   |         |
| 13      | 6H2-42137-00-00 | INDICATOR, THROTTLE            | 1   |         |
| 14      | 90269-02M09-00  | RIVET                          | 1   |         |
| 15      | 6G1-42177-00-00 | RUBBER, HANDLE                 | 1   |         |
| 16      | 90149-05M13-00  | SCREW                          | 1   |         |
| 17      | 90201-10M02-00  | WASHER, PLATE                  | 2   |         |
| 18      | 90501-23215-00  | SPRING, COMPRESSION            | 1   |         |
| 19      | 90386-08032-00  | BUSH                           | 1   |         |
| 20      | 6G1-42138-01-00 | LEVER, THROTTLE                | 1   |         |

CONTINUED ON NEXT FRAME >



63V6110-F120

# STEERING

| Ref No. | Part Number     | Description             | Qty | Remarks |
|---------|-----------------|-------------------------|-----|---------|
| 21      | 6E0-42159-02-00 | STAY                    | 1   |         |
| 22      | 97885-05012-00  | SCREW, PAN HEAD         | 2   |         |
| 23      | 6L2-26301-01-00 | THROTTLE CABLE ASSY     | 2   |         |
| 24      | 63V-44111-02-00 | HANDLE, GEAR SHIFT      | 1   |         |
| 25      | 90119-06M05-00  | BOLT, WITH WASHER       | 1   |         |
| 26      | 90387-06M86-00  | COLLAR                  | 1   |         |
| 27      | 90206-15M18-00  | WASHER, WAVE            | 1   |         |
| 28      | 6E0-44191-11-00 | INDICATOR, SHIFT        | 1   |         |
| 29      | 63V-44124-02-00 | LINK, SHIFT ROD         | 1   |         |
| 30      | 90202-06009-00  | WASHER, PLATE           | 1   |         |
| 31      | 90468-18008-00  | CLIP                    | 1   |         |
| 32      | 65W-82575-01-00 | ENGINE STOP SWITCH ASSY | 1   |         |
| 33      | 682-82556-00-00 | ..LANYARD, STOP SWITCH  | 1   |         |
| 34      | 689-8257Y-00-00 | ..CAP                   | 1   |         |
| 35      | 6E0-83627-41-00 | LABEL, CAUTION 7        | 1   |         |