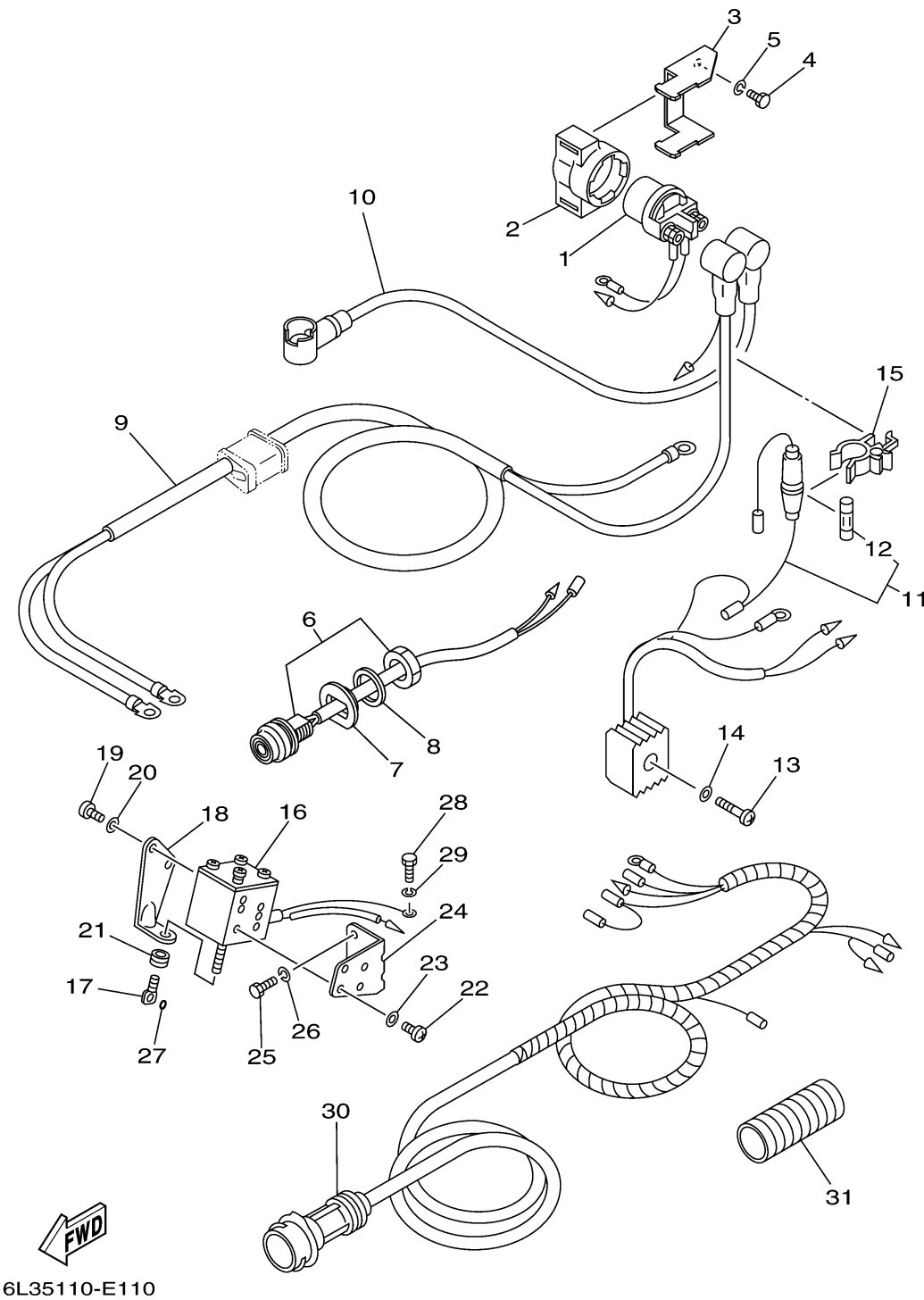


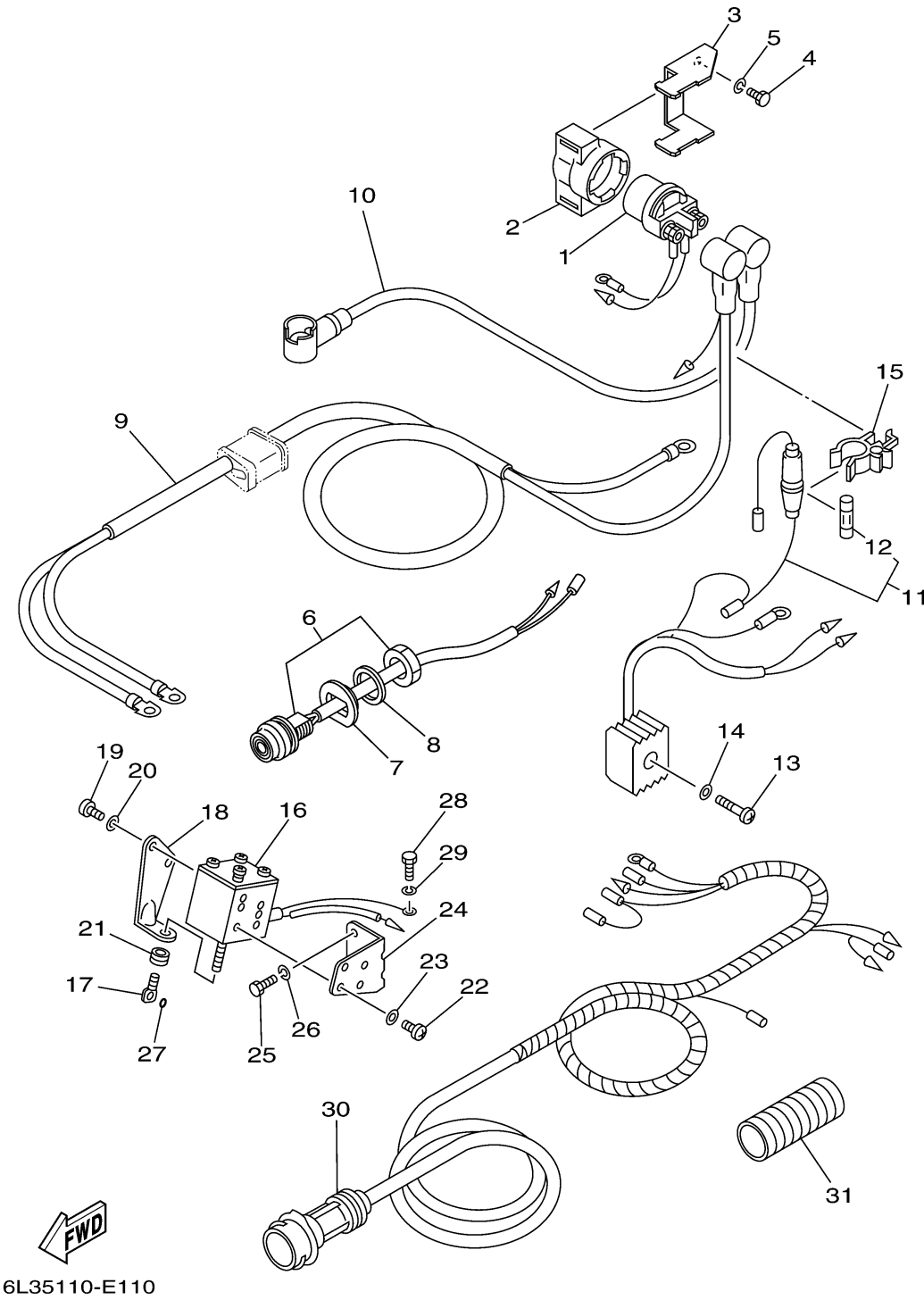
ELECTRICAL 2



| Ref No. | Part Number | Description | Qty | Remarks |
|---------|-----------------|-----------------------|-----|---------|
| 1 | 6G1-81941-10-00 | STARTER RELAY ASSY | 1 | EH/ER |
| 2 | 6G1-81952-00-00 | HOLDER, RELAY | 1 | EH/ER |
| 3 | 6L2-81945-00-00 | PLATE, SWITCH FITTING | 1 | EH/ER |
| 4 | 97095-06012-00 | .BOLT | 1 | EH/ER |
| 5 | 92995-06100-00 | WASHER, SPRING | 1 | EH/ER |
| 6 | 689-81870-00-00 | STARTING SWITCH ASSY | 1 | EH |
| 7 | 6L2-84387-00-00 | HOLDER | 1 | EH |
| 8 | 90202-17M35-00 | WASHER, PLATE | 1 | EH |
| 9 | 6G1-82105-01-00 | BATTERY CABLE | 1 | EH/ER |
| 10 | 6G1-82117-00-00 | WIRE, LEAD | 1 | EH/ER |
| 11 | 6G1-81970-61-00 | RECTIFIER ASSY | 1 | EH/ER |
| 12 | 6G1-82151-00-00 | . . FUSE (10A) | 1 | |
| 13 | 97880-05025-00 | .SCREW, PAN HEAD | 1 | EH/ER |
| 14 | 92990-05600-00 | WASHER, PLATE | 1 | EH/ER |
| 15 | 6G5-82152-00-00 | HOLDER, FUSE | 1 | EH/ER |
| 16 | 6L2-86111-00-00 | COIL, SOLENOID | 1 | ER |
| 17 | 682-86117-00-00 | HOOK, WIRE PULL | 1 | ER |
| 18 | 6L2-86115-00-00 | HOLDER, SOLENOID | 1 | ER |
| 19 | 97880-05008-00 | SCREW, PAN HEAD | 2 | ER |
| 20 | 92990-05600-00 | WASHER, PLATE | 2 | ER |

CONTINUED ON NEXT FRAME >

ELECTRICAL 2



| Ref No. | Part Number | Description | Qty | Remarks |
|---------|-----------------|-------------------|-----|---------|
| 21 | 90480-10155-00 | GROMMET | 1 | ER |
| 22 | 97880-04008-00 | SCREW, PAN HEAD | 4 | ER |
| 23 | 92990-04600-00 | WASHER, PLATE | 4 | ER |
| 24 | 6L2-86112-00-00 | STAY, SOLENOID | 1 | ER |
| 25 | 97095-06012-00 | .BOLT | 2 | ER |
| 26 | 92995-06100-00 | WASHER, SPRING | 2 | ER |
| 27 | 93210-03261-00 | O-RING | 1 | ER |
| 28 | 97095-06012-00 | .BOLT | 1 | ER |
| 29 | 92995-06100-00 | WASHER, SPRING | 1 | ER |
| 30 | 6L2-82590-00-00 | WIRE HARNESS ASSY | 1 | ER |
| 31 | 6K3-83557-00-00 | TUBE | 1 | EH/ER |