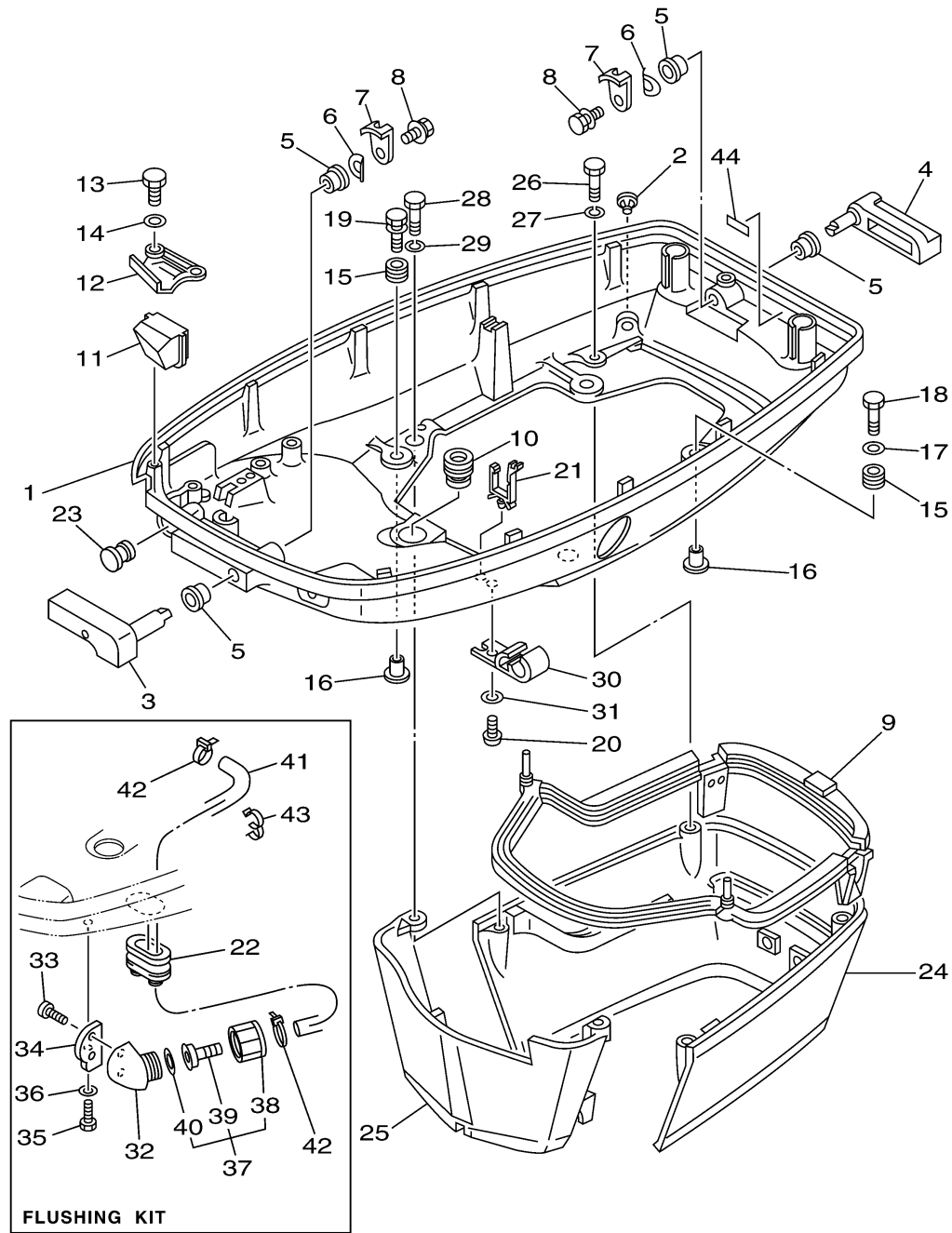


# BOTTOM COWLING

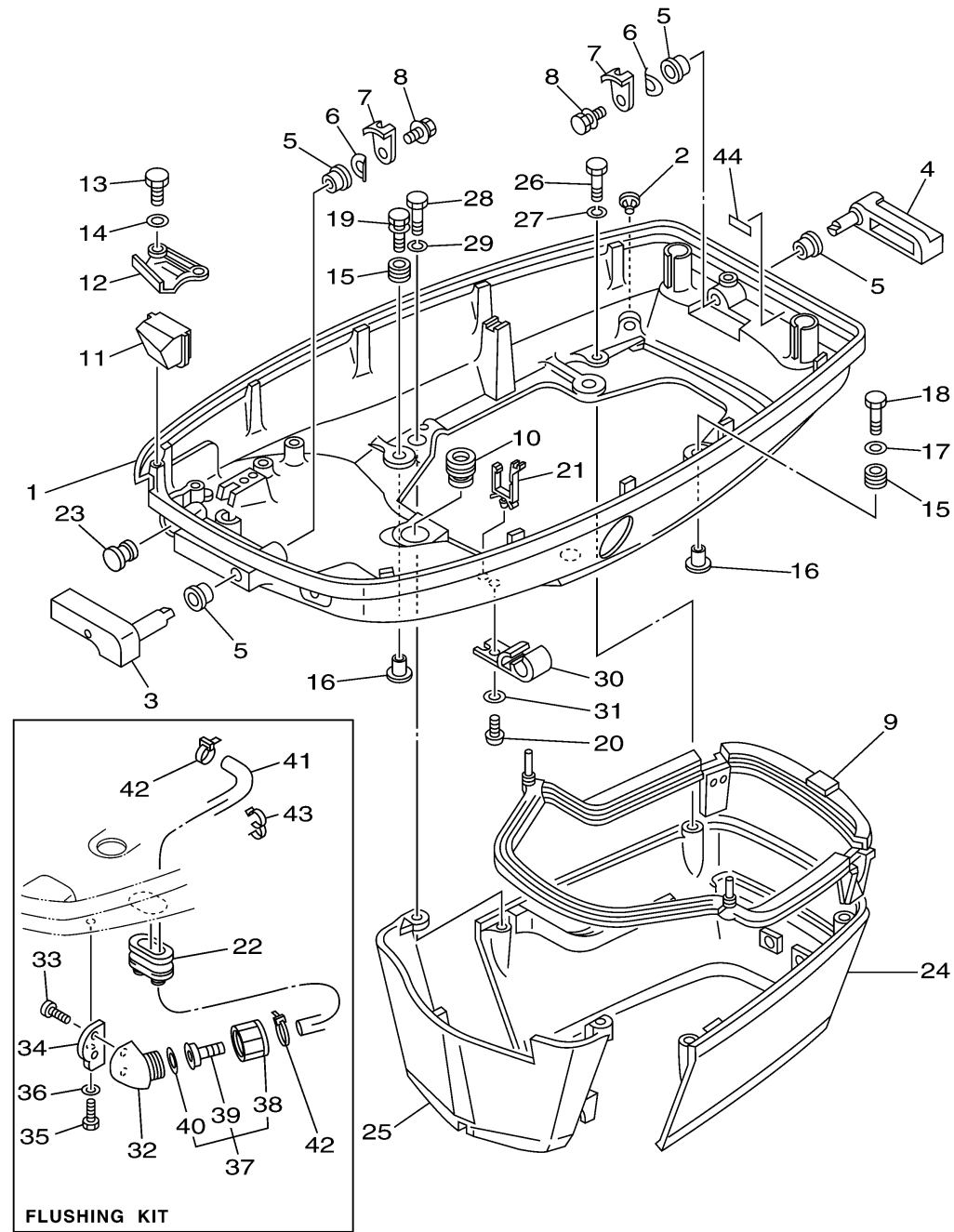


6H19110-F120

Ref No.	Part Number	Description	Qty	Remarks
1	6H1-42711-10-4D	COWLING, BOTTOM 1	1	
2	6H3-44391-01-00	NIPPLE, HOSE	1	
3	688-42815-01-4D	LEVER, CLAMP	1	
4	688-42817-01-4D	LEVER, CLAMP	1	
5	90386-13M38-00	BUSH	4	
6	90206-13019-00	WASHER, WAVE	2	
7	688-42816-00-00	LEVER, CLAMP	2	
8	90119-06M09-00	BOLT, WITH WASHER	2	
9	688-42716-02-00	RUBBER, SEAL 1	1	
10	663-42724-00-00	GROMMET	1	
11	688-42725-20-00	GROMMET	1	
12	688-42738-01-94	PLATE, FITTING	1	
13	97095-06016-00	BOLT	2	
14	92995-06600-00	WASHER	2	
15	90480-09M12-00	GROMMET	4	
16	90387-06M69-00	COLLAR	4	
17	90201-06416-00	WASHER, PLATE	1	
18	97095-06030-00	BOLT	1	
19	90119-06M61-00	BOLT, WITH WASHER	3	
20	90157-06M01-00	SCREW, PAN HEAD	1	

CONTINUED ON NEXT FRAME >

# BOTTOM COWLING

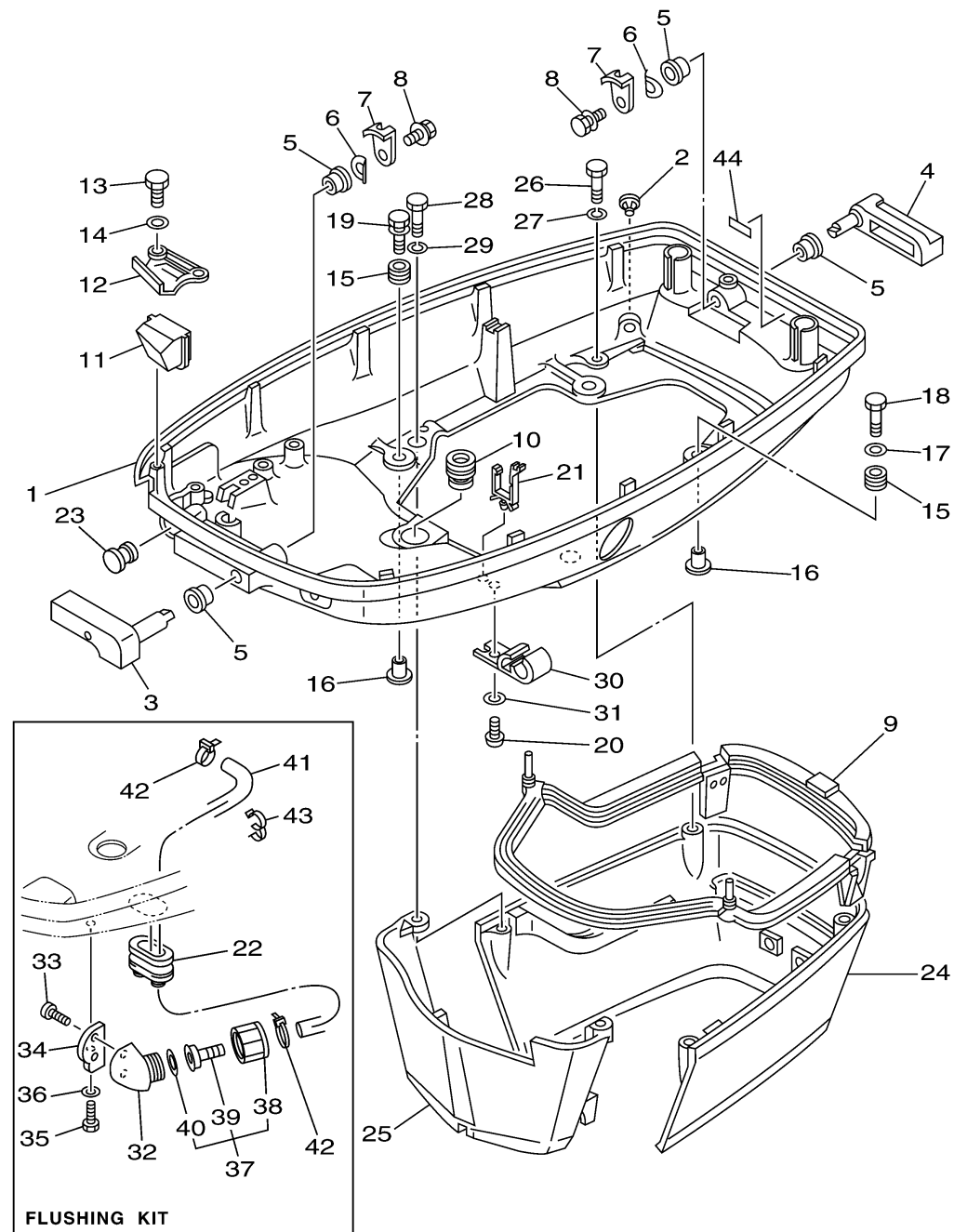


6H19110-F120

Ref No.	Part Number	Description	Qty	Remarks
21	90464-15M08-00	CLAMP	1	
22	6H1-42726-21-00	GROMMET	1	FLUSHING KIT
23	6G1-42748-00-00	GROMMET	1	
24	688-42741-01-4D	APRON	1	
25	688-42771-01-4D	APRON	1	
26	97095-06020-00	BOLT	2	
27	92995-06100-00	WASHER, SPRING	2	
28	97095-06030-00	BOLT	2	
29	92995-06100-00	WASHER, SPRING	2	
30	6E5-24367-01-00	CLAMP, FUEL PIPE 2	1	
31	92990-06600-00	WASHER, PLATE	1	
32	68T-12572-00-00	ADAPTER	1	FLUSHING KIT
33	90167-06002-00	SCREW, TAPPING	2	FLUSHING KIT
34	6H1-12535-00-00	PLATE	1	FLUSHING KIT
35	97095-06020-00	BOLT	1	FLUSHING KIT
36	92995-06600-00	WASHER	1	FLUSHING KIT
37	6R3-12580-00-00	.JOINT ASSY	1	FLUSHING KIT
38	6R3-12581-00-00	. JOINT, HOSE 1	1	
39	6R3-12582-00-00	. JOINT, HOSE 2	1	
40	6R3-12583-00-00	. GASKET, HOSE JOINT	1	

CONTINUED ON NEXT FRAME >

# BOTTOM COWLING



6H19110-F120

Ref No.	Part Number	Description	Qty	Remarks
41	6H1-24312-01-00	PIPE 2	1	FLUSHING KIT
42	90465-11M10-00	CLAMP	2	FLUSHING KIT
43	90464-09M31-00	CLAMP	1	FLUSHING KIT
44	6G5-42791-00-00	MARK 1	1	