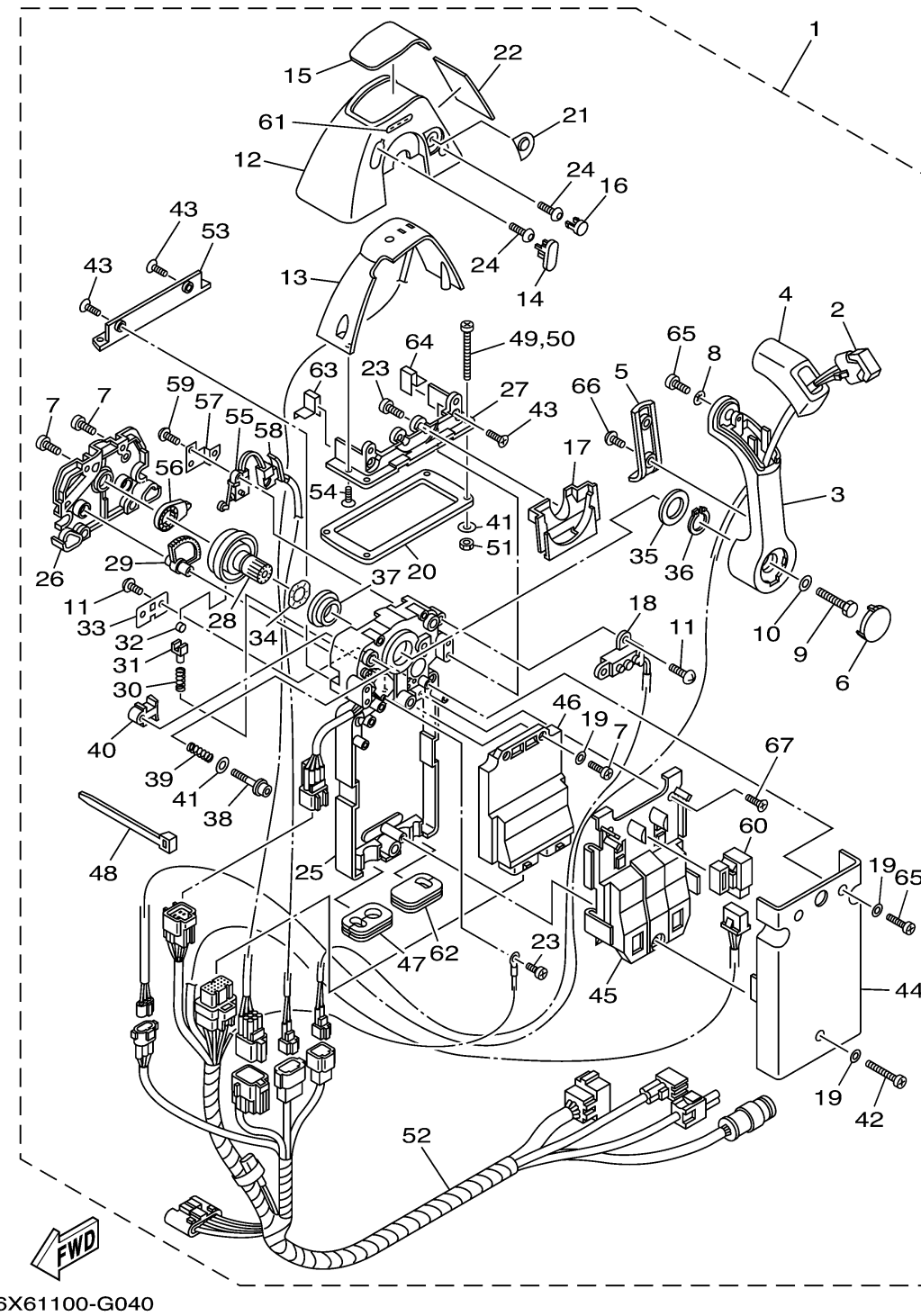


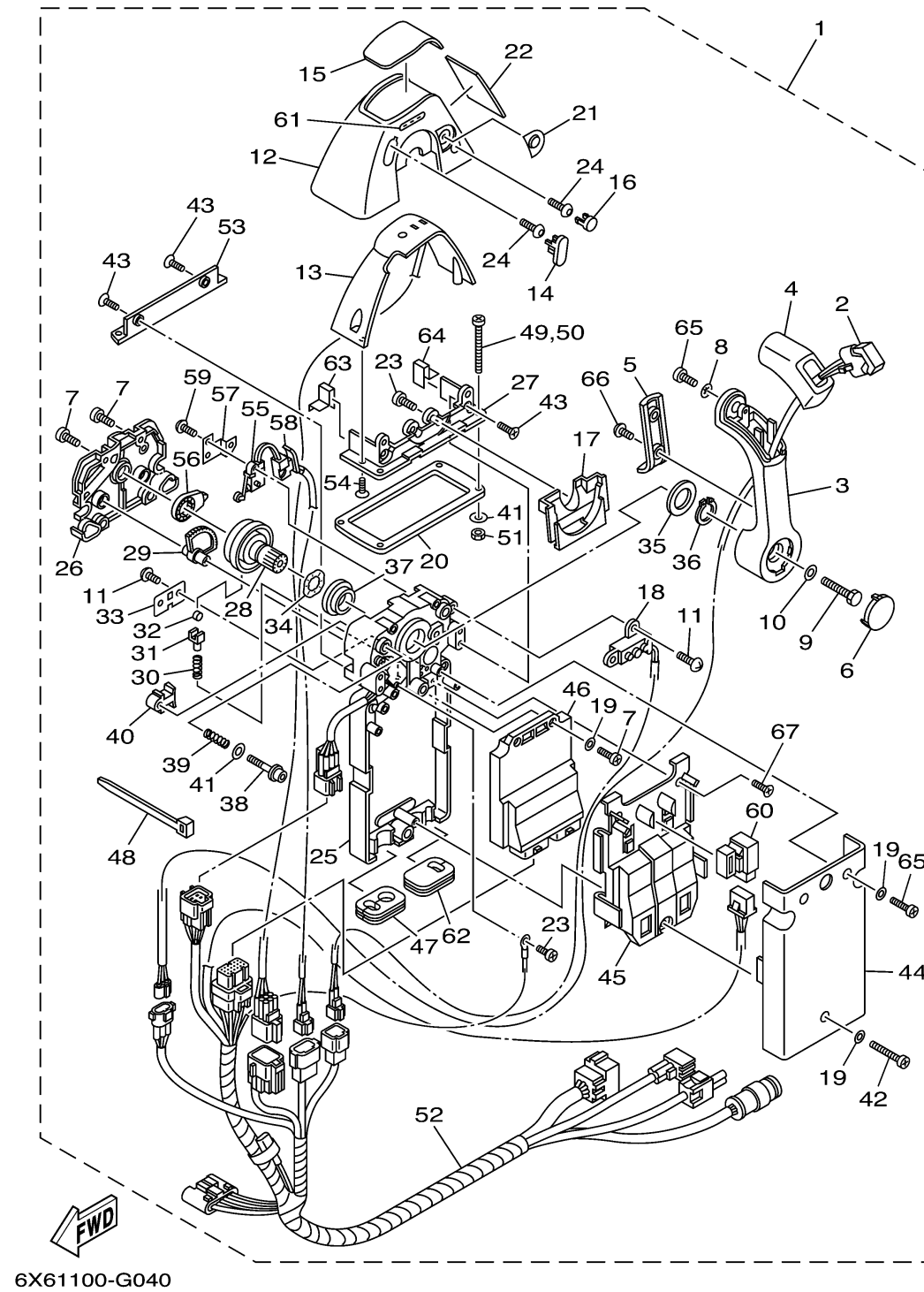
DEC REMOTE CONTROL 1 (SINGLE)



Ref No.	Part Number	Description	Qty	Remarks
1	6X6-48205-00-00	REMOTE CONTROL ASSY (SINGLE)	1	ORDER FROM O/B SALES
1	6X6-48205-10-00	REMOTE CONTROL ASSY	1	ORDER FROM O/B SALES
1	6X6-48205-20-00	REMOTE CONTROL ASSY	1	ORDER FROM O/B SALES
2	6X6-82563-00-00	..TRIM & TILT SWITCH ASSY	1	
3	6X6-48221-00-00	..LEVER, CONTROL	1	
4	6X6-48222-00-00	..GRIP, CONTROL LEVER	1	
5	6X6-48224-00-00	..COVER, CONTROL LEVER	1	
6	6X6-48224-10-00	..COVER, CONTROL LEVER	1	
7	98580-05014-00	..SCREW, PAN HEAD	6	
8	92990-05300-00	..WASHER, INTERNAL TOOTH	1	
9	6X6-48171-00-00	..BOLT	1	
10	92990-08600-00	..WASHER, PLATE	1	
11	EL8-48127-00-00	..SCREW 1	4	
12	6X6-48119-00-00	..COVER	1	
13	6X6-84301-00-00	..PILOT LIGHT ASSY 1	1	
14	6X6-48167-00-00	..PLUG	1	
15	6X6-48215-00-00	..GRAPHIC	1	
16	6X6-48167-50-00	..PLUG	1	
17	6X6-48219-00-00	..COVER, LEAD	1	
18	6X6-8259E-00-00	..SWITCH ASSY	1	

CONTINUED ON NEXT FRAME >

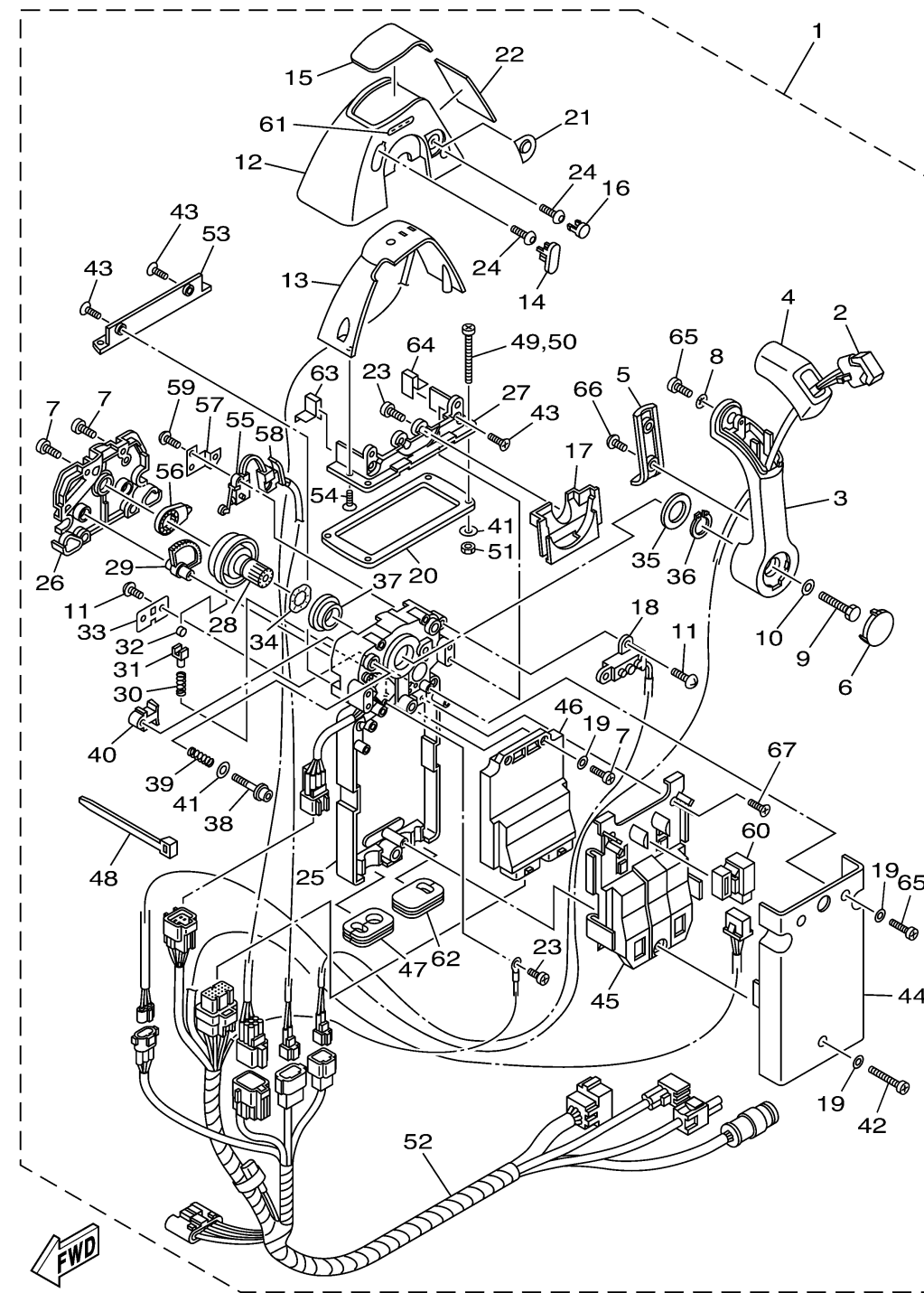
DEC REMOTE CONTROL 1 (SINGLE)



Ref No.	Part Number	Description	Qty	Remarks
19	92990-05200-00	. WASHER, PLAIN	5	
20	6X6-48176-00-00	..GROMMET	1	
21	6X6-48225-00-00	..COVER	1	
22	6X6-48216-00-00	..GRAPHIC	1	
23	98580-04010-00	..SCREW, PAN HEAD	3	
24	92D80-05016-00	..BOLT, SOCKET HEAD	2	
25	6X6-481A0-01-00	..REMO-CON. CASE ASSY	1	
26	6X6-48212-00-00	..BACK PLATE 1	1	
27	6X6-48144-10-00	..PLATE, STOPPER 2	1	
28	6X6-48242-01-00	..SHAFT, DRIVE	1	
29	6X6-48233-00-00	..GEAR 2	1	
30	6X6-48238-00-00	..SPRING, DETENT	1	
31	6X6-48237-00-00	..ADAPTOR	1	
32	6X6-48236-00-00	..ROLLER, DETENT	1	
33	6X6-48189-00-00	..RETAINER	1	
34	703-48198-00-00	..WASHER, WAVE	1	
35	6X6-48193-00-00	..WASHER 3	1	
36	6X6-48118-00-00	..CLIP, SHIFT LEVER	1	
37	6X6-48234-00-00	..BUSHING 1	1	
38	6X6-48267-00-00	..BOLT SET	1	

CONTINUED ON NEXT FRAME >

DEC REMOTE CONTROL 1 (SINGLE)

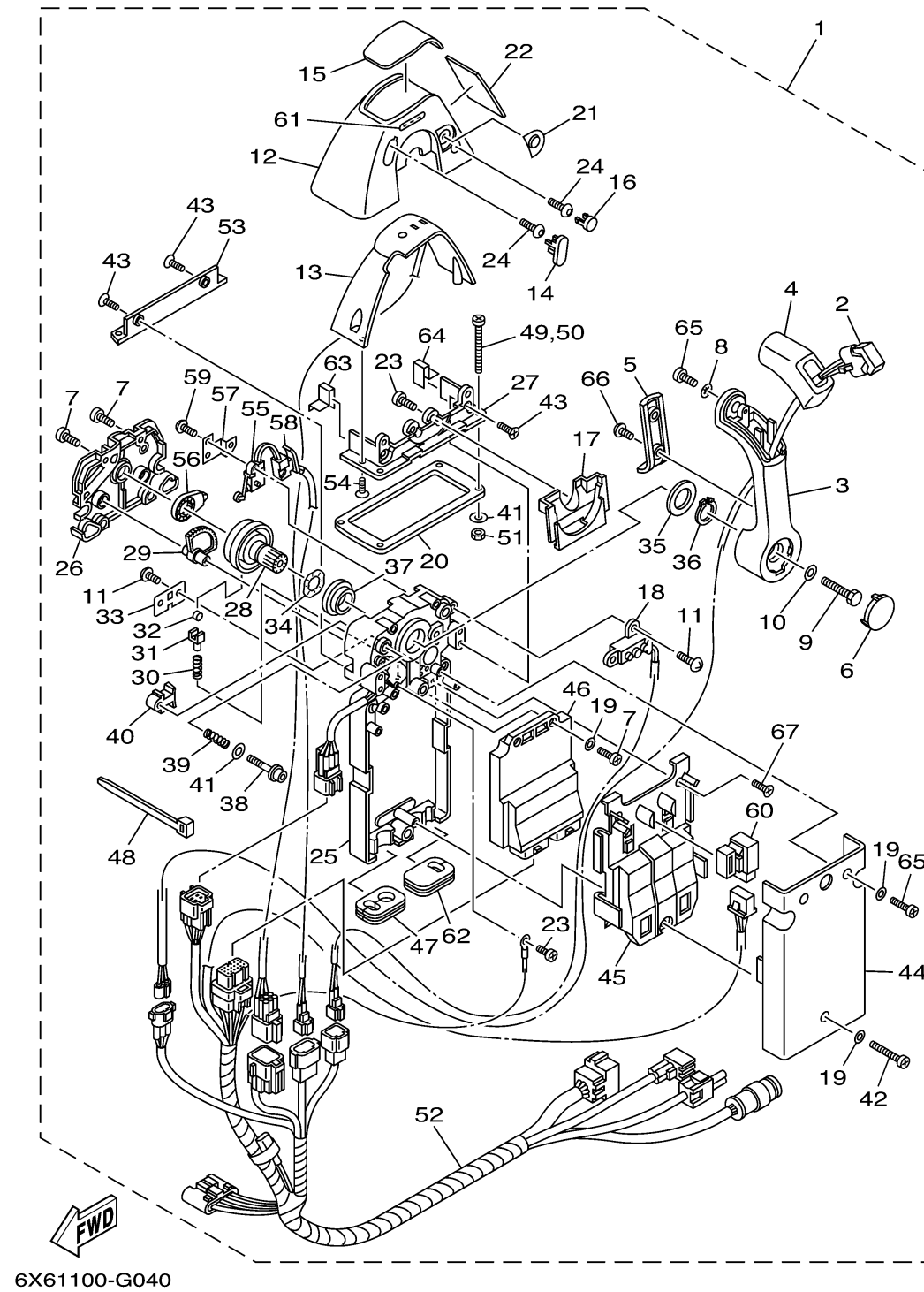


6X61100-G040

Ref No.	Part Number	Description	Qty	Remarks
39	6X6-48158-00-00	..SPRING 1	1	
40	6X6-48264-00-00	..FRICTION, THROTTLE	1	
41	704-48287-00-00	..WASHER	5	
42	6X6-81145-00-00	..SCREW 1	1	
43	98780-05014-00	..SCREW, FLAT HEAD	4	
44	6X6-48213-00-00	..BACK PLATE 2	1	
45	6X6-48228-00-00	..HOLDER, SWITCH	1	
46	6X6-85590-10-00	...CONTROL UNIT ASSY	1	
46	6X6-85590-00-00	..CONTROL UNIT ASSY	1	2 STATION
47	6X6-48175-00-00	...BOOT	1	
47	6X6-48175-00-00	..BOOT	2	2 STATION
48	703-82591-00-00	..BAND	3	
48	703-82591-00-00	..BAND	4	2 STATION
49	97780-50145-00	..SCREW, TAPPING	4	
50	98580-05060-00	..SCREW, PAN HEAD	4	
51	95380-05600-00	..NUT	4	
52	6X6-82590-20-00	..WIRE HARNESS ASSY	1	2 STATION MAIN HELM
52	6X6-82590-00-00	...WIRE HARNESS ASSY	1	
52	6X6-82590-50-00	...WIRE HARNESS ASSY	1	2 STATION 2ND HELM
53	6X6-48144-00-00	..PLATE, STOPPER 2	1	

CONTINUED ON NEXT FRAME >

DEC REMOTE CONTROL 1 (SINGLE)



Ref No.	Part Number	Description	Qty	Remarks
54	6X6-48129-00-00	..SCREW 3	2	
55	6X6-82540-00-00	..NEUTRAL SWITCH ASSY	1	
56	6X6-48241-00-00	..ARM, DRIVE	1	
57	6X6-48245-01-00	..PLATE, LOCK	1	
58	6X6-82545-00-00	..GROMMET	1	
59	6X6-8252V-00-00	..SCREW, SPECIAL	2	
60	704-81950-10-00	..RELAY ASSY	1	
61	6X6-44191-00-00	..INDICATOR, SHIFT	1	
62	6X6-48175-10-00	...BOOT	1	
63	6X6-48176-50-00	..GROMMET	1	
64	6X6-48176-60-00	..GROMMET	1	
65	6X6-48127-00-00	..SCREW 1	3	
66	6X6-48128-00-00	..SCREW 2	2	
67	6X6-81146-00-00	..SCREW 2	2	