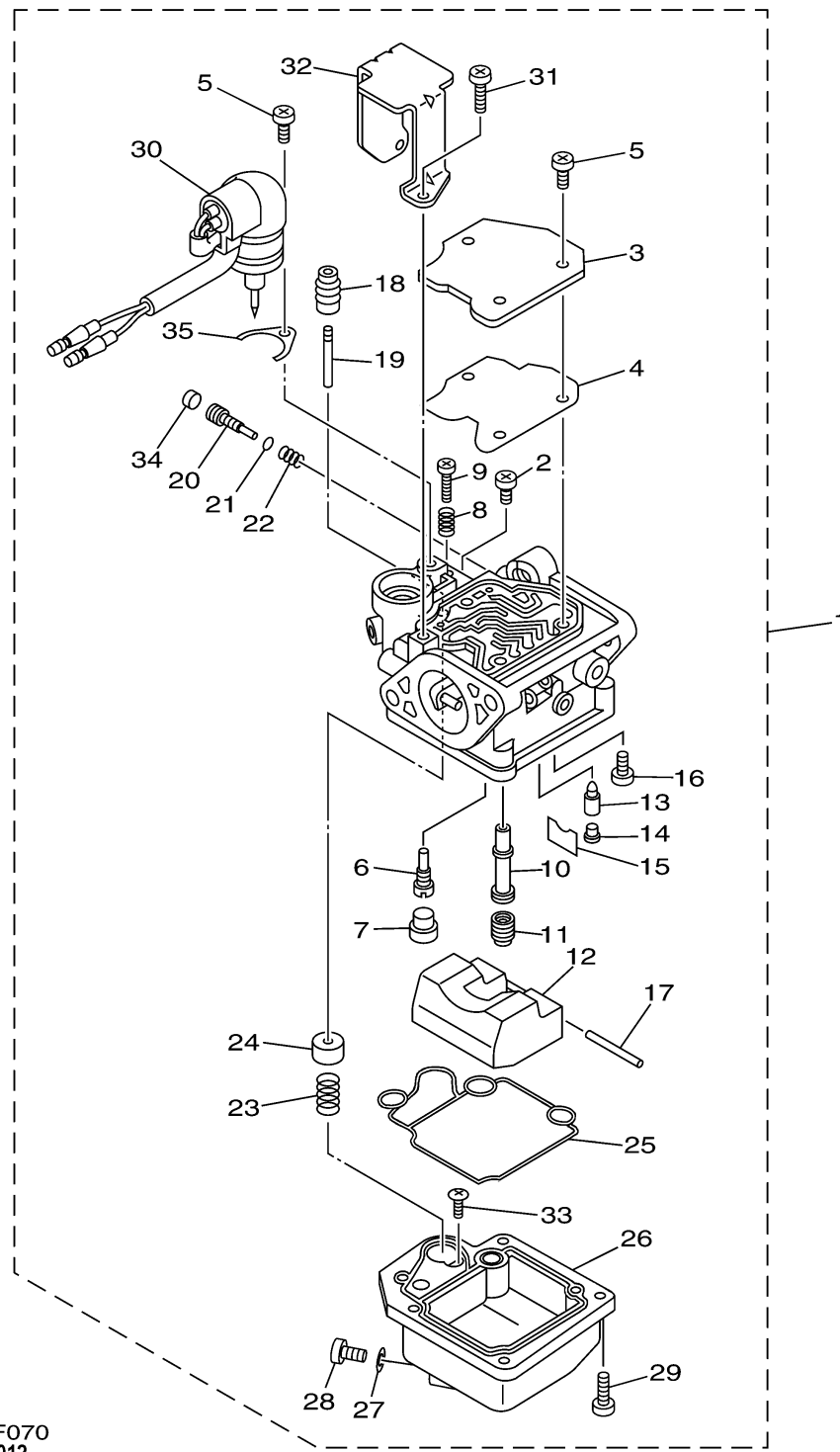


CARBURETOR

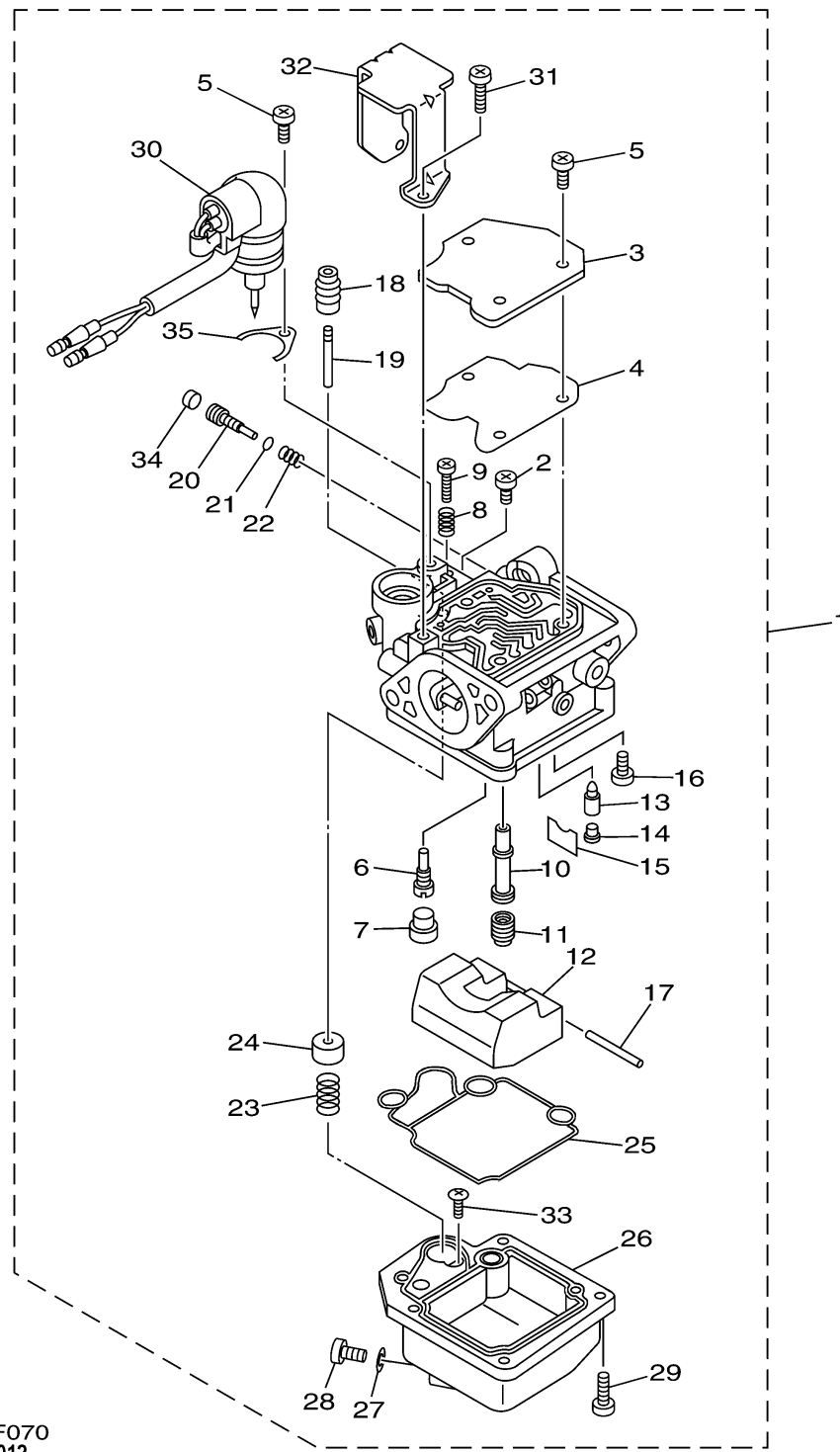


6AH1100-F070
Rev. 3-20-2012

Ref No.	Part Number	Description	Qty	Remarks
1	6AH-14301-40-00	CARBURETOR ASSY 1	1	UR F20EH/ER/PH/PR
1	6AG-14301-40-00	CARBURETOR ASSY 1	1	UR F15CEH/PH
1	6AH-14301-00-00	CARBURETOR ASSY 1	1	UR F20MH
1	6AG-14301-00-00	CARBURETOR ASSY 1	1	UR F15CMH
2	98580-04006-00	. .SCREW, PAN HEAD (+)	1	
3	65W-14572-00-00	. .PLATE	1	
4	65W-14126-10-00	. .GASKET	1	
5	97980-04110-00	. .SCREW, WITH WASHER	4	
6	6AG-14948-05-00	. .JET (#45)	1	FOR 6AH-14301-00
6	6AG-14948-02-00	. .JET (#38)	1	FOR 6AG-14301-00
6	6AH-14948-02-00	. .JET (#38)	1	FOR 6AG-14301-40
6	676-14948-05-00	. .JET (#45)	1	FOR 6AH-14301-40
7	679-14966-00-00	. .RUBBER CAP	1	
8	90501-10326-00	. .SPRING, COMPRESSION	1	
9	63V-14523-00-00	. .SCREW, STOP	1	
10	6AH-14947-10-00	. .JET, NEEDLE	1	UR F15C
10	6AH-14947-00-00	. .JET, NEEDLE	1	UR F20
11	63D-14943-81-00	. .JET, MAIN (#118)	1	UR F20
11	676-14943-19-00	. .JET, MAIN (#80)	1	UR F15C
12	6AH-14985-00-00	. .FLOAT	1	

CONTINUED ON NEXT FRAME >

CARBURETOR

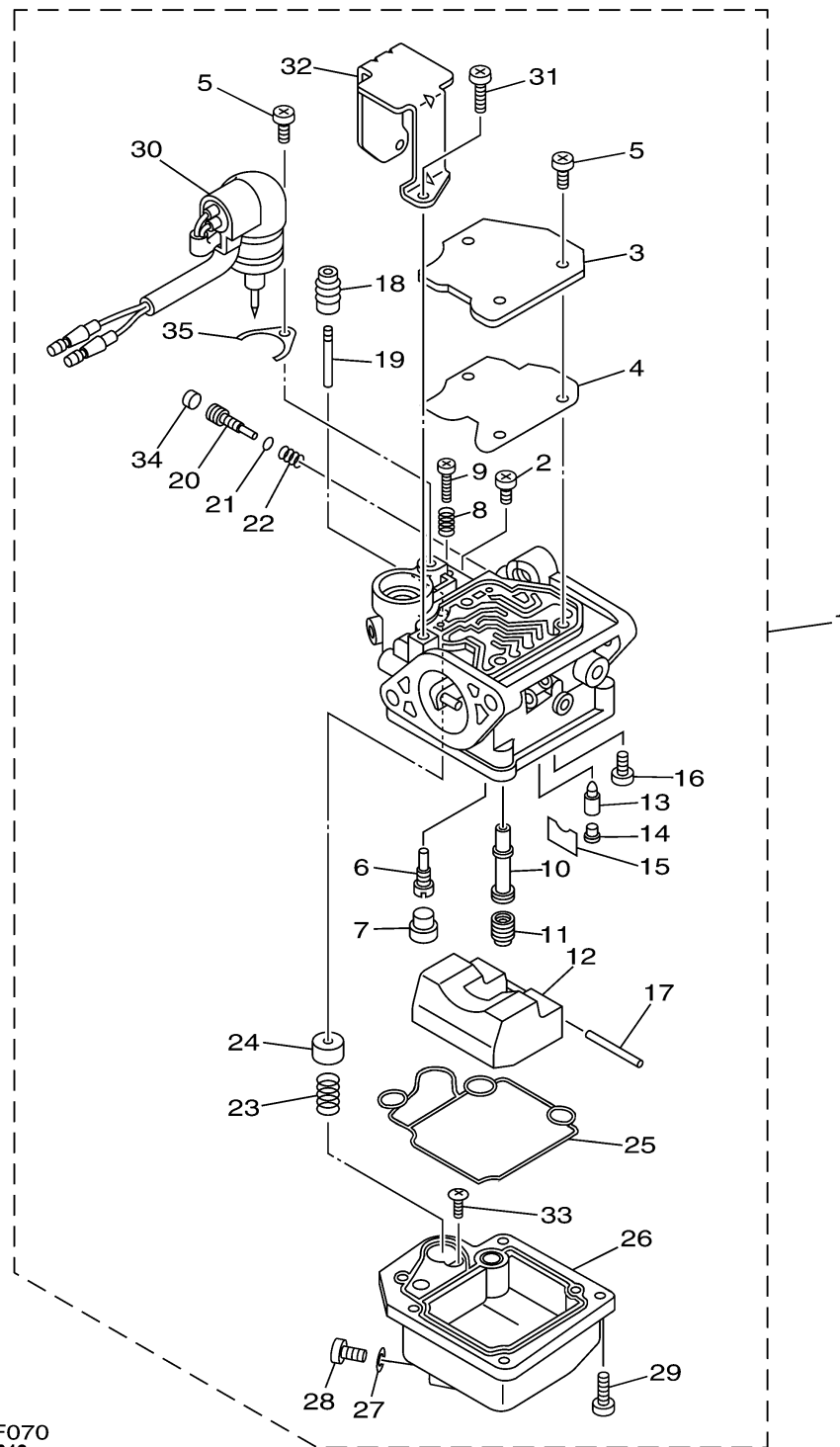


6AH1100-F070
Rev. 3-20-2012

Ref No.	Part Number	Description	Qty	Remarks
13	6G1-14546-01-00	. .VALVE, NEEDLE	1	
14	676-14186-00-00	. .PIN, FLOAT	1	
15	663-14159-00-00	. .CLIP	1	
16	98580-04008-00	. .SCREW, PAN HEAD	1	
17	6H4-14548-00-00	. .PIN, FLOAT ARM	1	
18	65W-14373-01-00	. .COVER, PLUNGER CAP	1	
19	6AH-14379-00-00	. .ROD, STARTER	1	
20	6AH-14923-00-00	. .SCREW, PILOT	1	
21	67C-14397-00-00	. .O-RING	1	
22	67C-14555-00-00	. .SPRING	1	
23	65W-14335-00-00	. .SPRING, PLUNGER	1	UR F15C
23	6AH-14335-00-00	. .SPRING, PLUNGER	1	UR F20
24	6AH-14371-00-00	. .PLUNGER, STARTER	1	
25	6AH-14384-00-00	. .GASKET, FLOAT CHAMBER	1	
26	6AH-14980-00-00	. .BODY, FLOAT CHAMBER	1	
27	65W-14398-00-00	. .GASKET	1	
28	65W-14992-00-00	. .SCREW, DRAIN	1	
29	97980-04114-00	. .SCREW, WITH WASHER	4	
30	6AH-14380-10-00	. .PRIME STARTER ASSY	1	UR E-SPEC
30	6AH-14380-00-00	. .PRIME STARTER ASSY	1	UR M-SPEC

CONTINUED ON NEXT FRAME >

CARBURETOR




 6AH1100-F070
 Rev. 3-20-2012

Ref No.	Part Number	Description	Qty	Remarks
31	97980-04108-00	..SCREW, WITH WASHER	2	
32	6AH-14346-00-00	..PLATE	1	
33	67C-14567-00-00	..SCREW	1	
34	67C-1432A-00-00	..PLUG	1	
35	65W-14346-00-00	..PLATE	1	