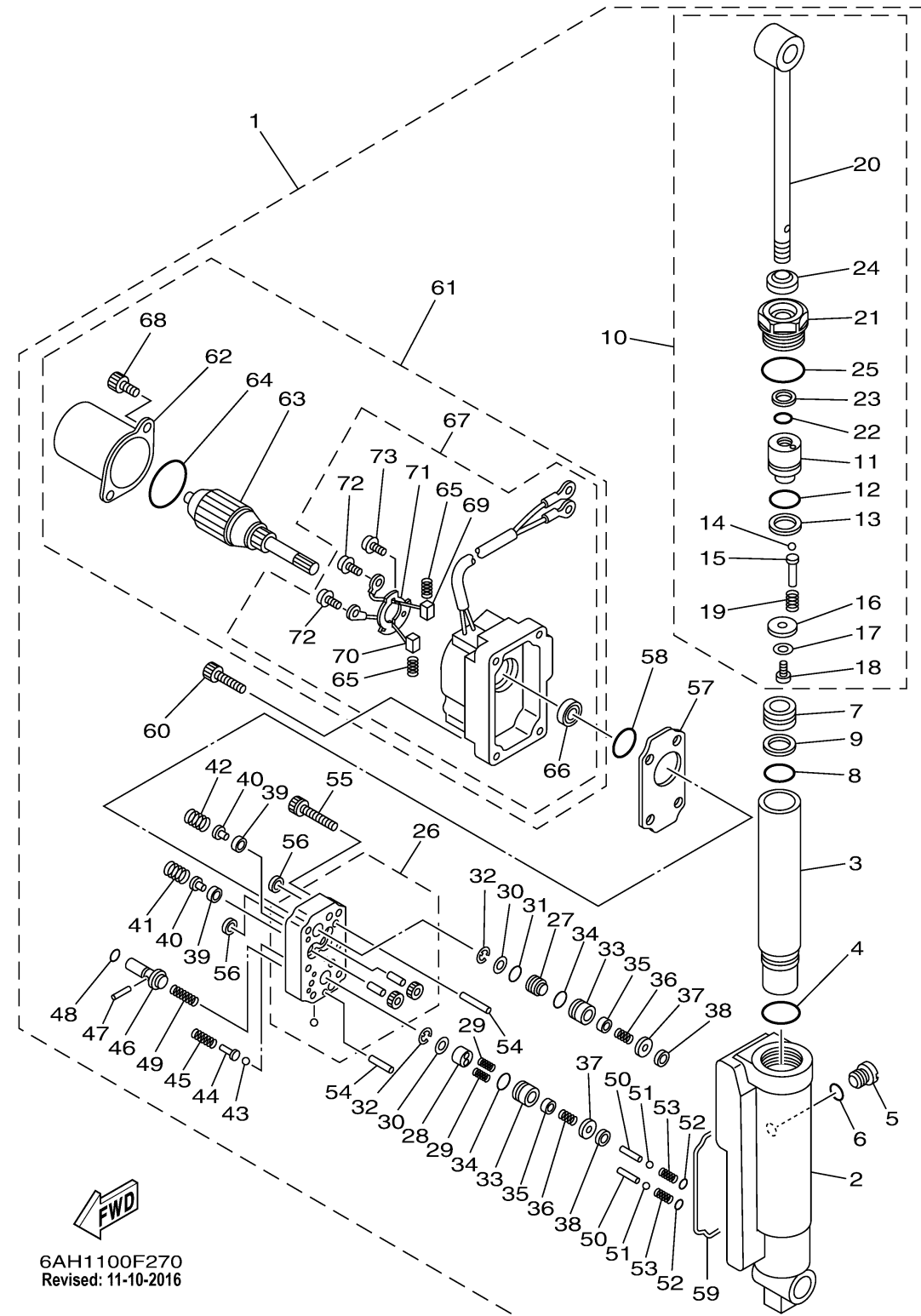


POWER TILT ASSY

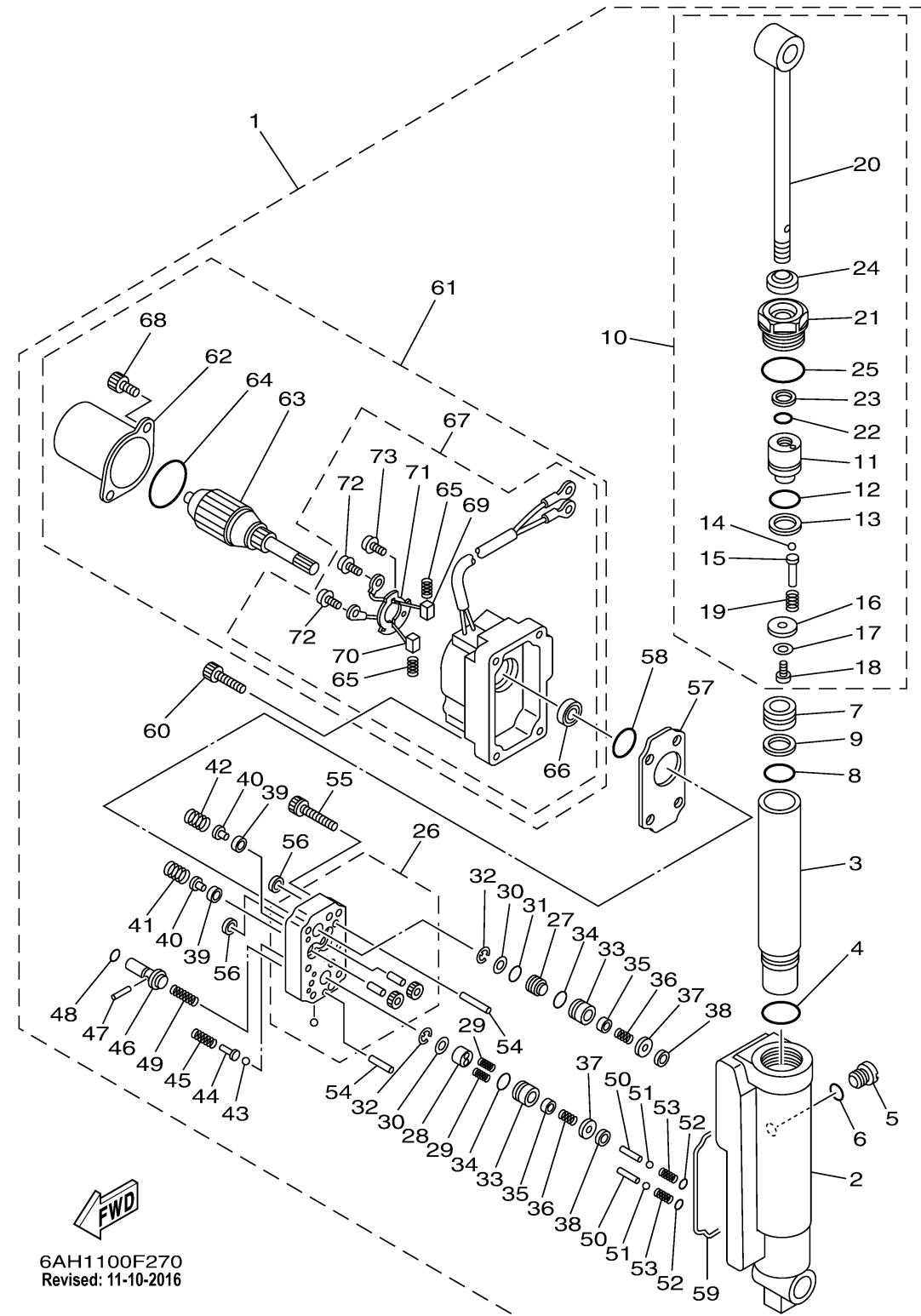


6AH1100F270
Revised: 11-10-2016

Ref No.	Part Number	Description	Qty	Remarks
1	6AH-43840-00-4D	POWER TILT ASSY	1	PH/PR
2	6AH-4380K-00-00	..CYLINDER, TILT SUB ASSY	1	
3	6AH-22471-00-00	..CYLINDER, SHOCK ABSORBER	1	
4	93210-320A7-00	..O-RING	1	
5	6H1-4388E-11-00	..PLUG, TAPER SCREW	1	
6	93210-07003-00	..O-RING	1	
7	6AH-43814-00-00	..PISTON, FREE	1	
8	93210-24709-00	..O-RING	1	
9	6C5-43871-00-00	..RING, BACK UP	1	
10	6AH-43810-00-00	..TILT PISTON SUB ASSY	1	
11	6AH-4380D-00-00	..PISTON COMP.	1	
12	93210-24709-00	...O-RING	1	
13	6C5-43871-00-00	..RING, BACK UP	1	
14	93501-08001-00	..BALL	5	
15	6AH-4386A-00-00	..PIN, ABSORBER VALVE	5	
16	6AH-4385E-00-00	..PLATE, PISTON	1	
17	92902-06200-00	..WASHER	1	
18	6AH-43878-00-00	..BOLT, SOCKET	1	
19	6AH-43857-00-00	..SPRING, ABSORBER VALVE	5	
20	6AH-43801-00-00	..ROD	1	

CONTINUED ON NEXT FRAME >

POWER TILT ASSY

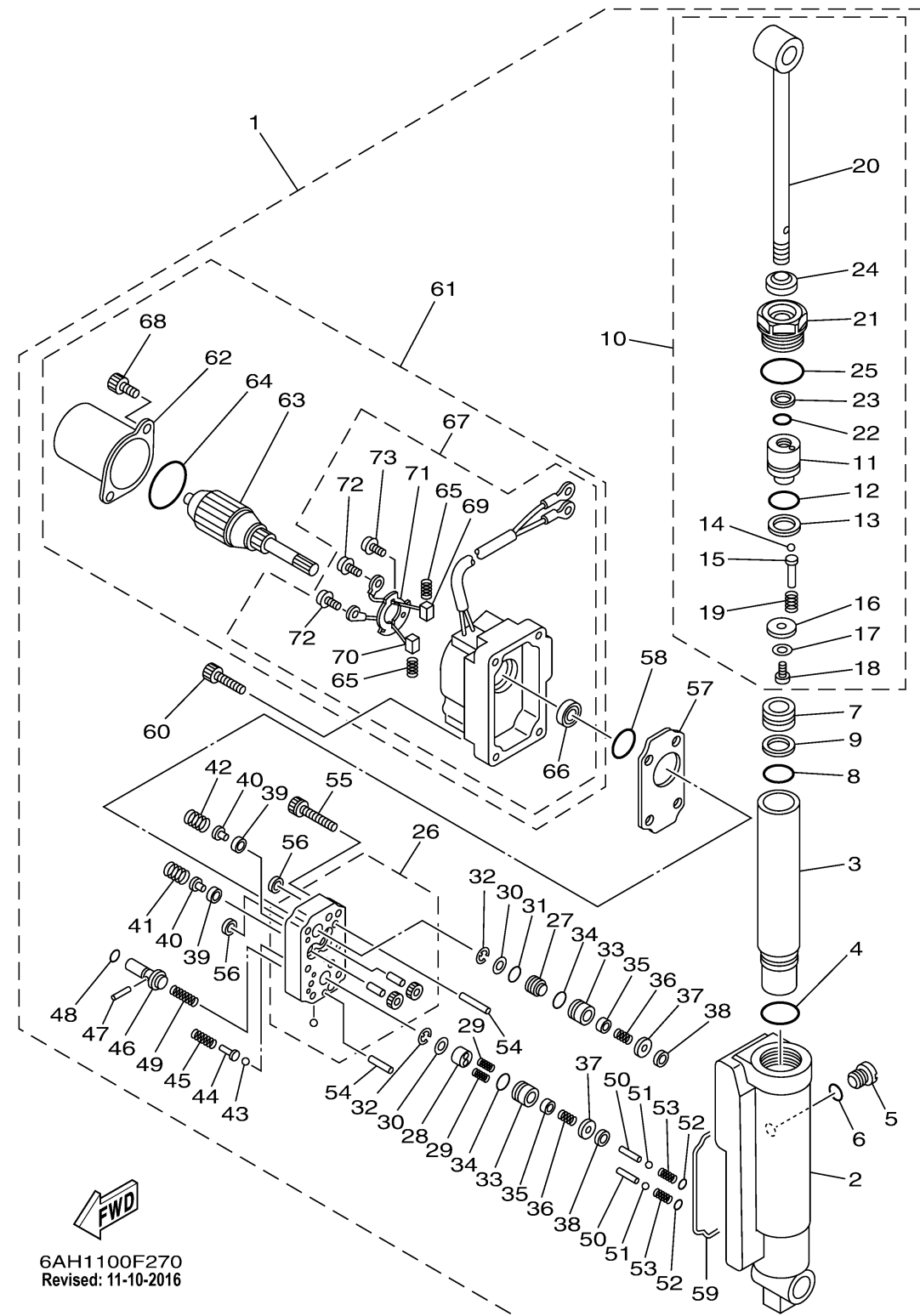


Ref No.	Part Number	Description	Qty	Remarks
41	6F2-43855-00-00	. SPRING, UP RELIEF	1	
42	6H1-43856-10-00	. SPRING, DOWN RELIEF	1	
43	93501-08001-00	. BALL	2	
44	69A-4386A-00-00	. PIN, ABSORBER VALVE	2	
45	69A-43824-00-00	. SPRING, DOWN RELIEF 2	2	
46	69A-43848-00-00	. ROD, MANUAL RELEASE	1	
47	93602-15250-00	. PIN, DOWEL	1	
48	93210-06001-00	. O-RING	1	
49	6AH-43854-00-00	. SPRING, MANUAL RELEASE	1	
50	69A-4381G-00-00	. PIN 1	2	
51	93501-08001-00	. BALL	2	
52	6H1-43883-00-00	. O-RING	2	
53	69A-4384H-00-00	. SPRING	2	
54	93606-14081-00	. PIN, DOWEL	2	
55	91312-05025-00	. BOLT, HEXAGON SOCKET HEAD	6	
56	69J-4381C-00-00	. FILTER 3	2	
57	6AH-4381J-00-00	. PLATE	1	
58	N35-43862-10-00	. O-RING	1	
59	69A-23129-00-00	. GASKET, DRAIN PLUG	1	
60	69A-43878-00-00	. BOLT, SOCKET	4	

CONTINUED ON NEXT FRAME >

6AH1100F270
Revised: 11-10-2016

POWER TILT ASSY



Ref No.	Part Number	Description	Qty	Remarks
61	69A-43880-00-00	. MOTOR ASSY	1	
62	65W-43804-00-00	...STATOR ASSY	1	
63	65W-43805-00-00	...ARMATURE ASSY	1	
64	65W-43869-00-00	...O-RING	1	
65	65W-4386K-00-00	... SPRING, BRUSH	2	
66	65W-43882-00-00	... OIL SEAL	1	
67	69A-43881-00-00	.. FRAME, END	1	
68	65W-43887-00-00	.. BOLT	2	
69	65W-43892-00-00	... BRUSH 2	1	
70	65W-43891-00-00	... BRUSH 1	1	
71	65W-4380F-00-00	... PLATE, BRUSH HOLDER	1	
72	65W-43879-00-00	... SCREW, WITH WASHER	2	
73	65W-4388E-00-00	... BOLT	1	

6AH1100F270
Revised: 11-10-2016