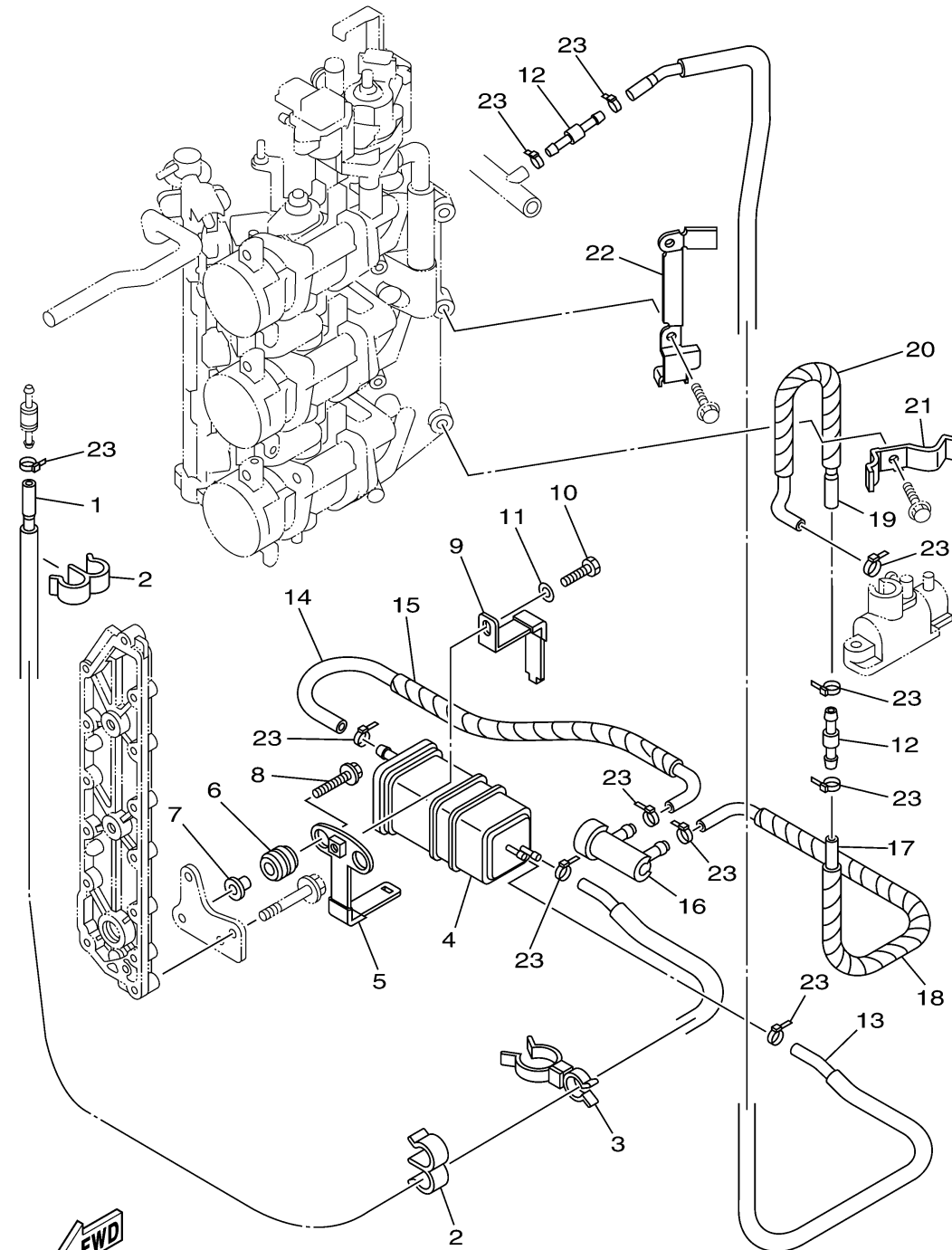


# INTAKE 2



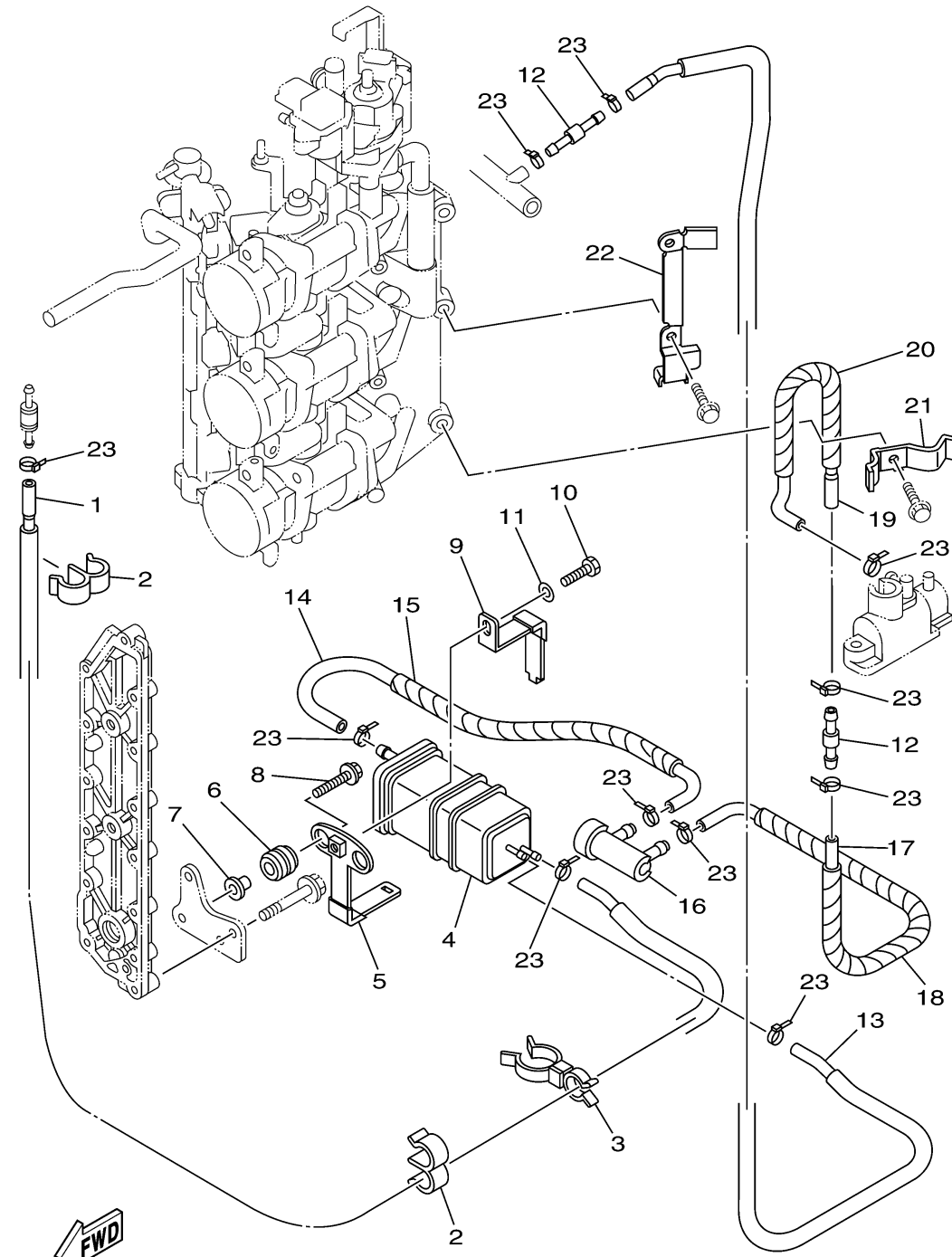
69J5100-E080

| Ref No. | Part Number     | Description       | Qty | Remarks |
|---------|-----------------|-------------------|-----|---------|
| 1       | 60L-24315-01-00 | PIPE 5            | 1   |         |
| 2       | 90464-12238-00  | CLAMP             | 2   |         |
| 3       | 90464-23001-00  | CLAMP             | 1   |         |
| 4       | 69J-24170-00-00 | CANISTER ASSY     | 1   |         |
| 5       | 69J-2134X-00-00 | BRACKET, CANISTER | 1   |         |
| 6       | 90480-10M23-00  | GROMMET           | 2   |         |
| 7       | 90387-06M60-00  | COLLAR            | 2   |         |
| 8       | 90119-06M59-00  | BOLT, WITH WASHER | 2   |         |
| 9       | 69J-2419A-00-00 | HOLDER            | 1   |         |
| 10      | 97095-06016-00  | BOLT              | 1   |         |
| 11      | 92995-06600-00  | WASHER            | 1   |         |
| 12      | 6E5-24379-00-00 | PIPE, JOINT 4     | 2   |         |
| 13      | 60L-24314-01-00 | PIPE 4            | 1   |         |
| 14      | 60L-24313-00-00 | PIPE 3            | 1   |         |
| 15      | 90448-12003-00  | HOSE, WITH UNION  | 1   |         |
| 16      | 69J-24502-00-00 | FILTER, FUEL      | 1   |         |
| 17      | 60L-24312-00-00 | PIPE 2            | 1   |         |
| 18      | 90448-12001-00  | HOSE, WITH UNION  | 1   |         |
| 19      | 60L-24311-00-00 | PIPE, FUEL 1      | 1   |         |
| 20      | 90448-10002-00  | HOSE, WITH UNION  | 1   |         |

CONTINUED ON NEXT FRAME >

# INTAKE 2

| Ref No. | Part Number     | Description        | Qty | Remarks |
|---------|-----------------|--------------------|-----|---------|
| 21      | 60L-24367-00-00 | CLAMP, FUEL PIPE 2 | 1   |         |
| 22      | 60L-24366-00-00 | CLAMP, FUEL PIPE 1 | 1   |         |
| 23      | 90465-11M10-00  | CLAMP              | 11  |         |



69J5100-E080