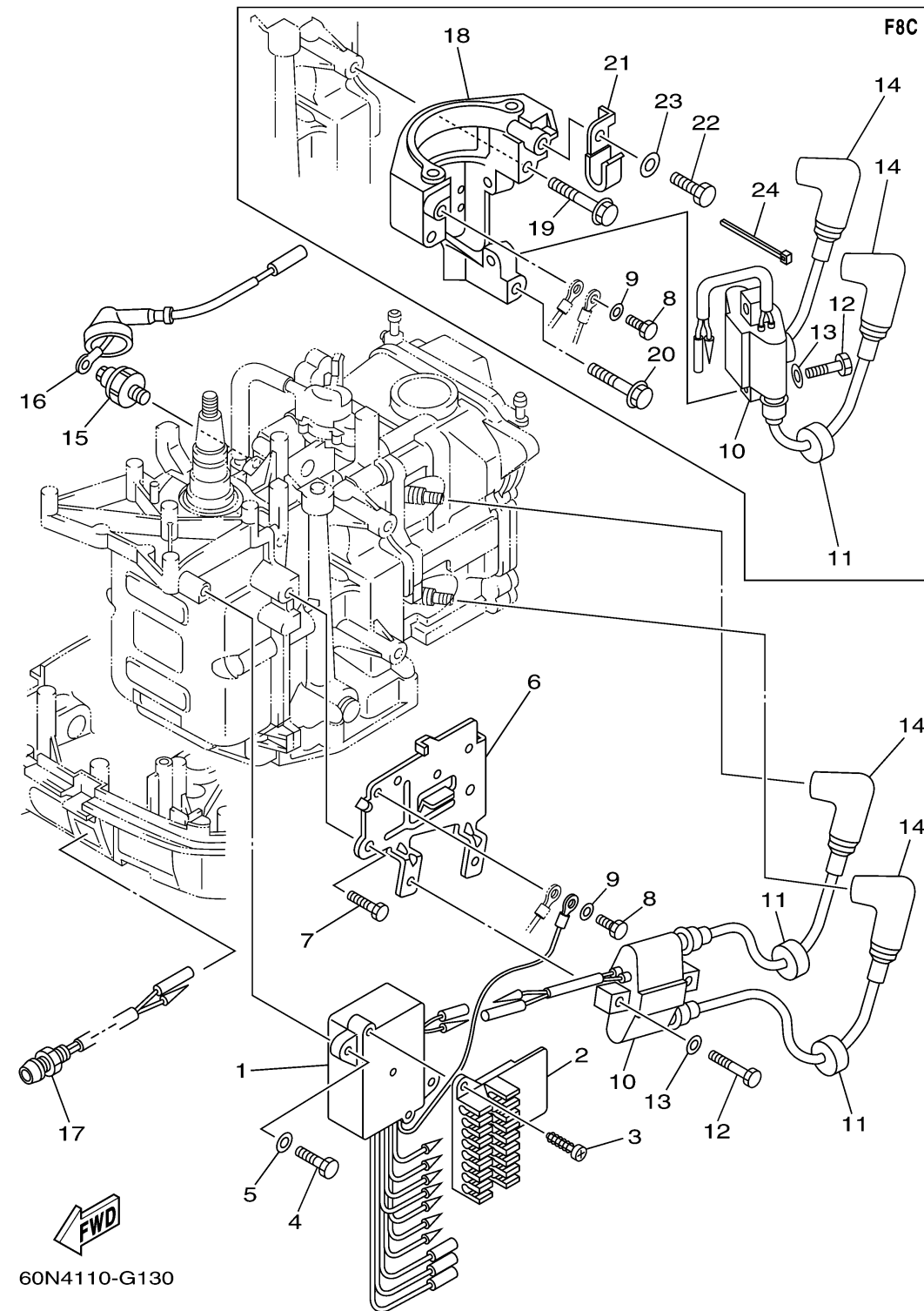


ELECTRICAL 1



Ref No.	Part Number	Description	Qty	Remarks
20	90119-08020-00	BOLT, WITH WASHER	1	F8C
21	90465-08M99-00	CLAMP	1	F8C
22	97095-06012-00	BOLT	1	F8C
23	92995-06600-00	WASHER	1	F8C
24	90465-11M10-00	CLAMP	1	F8C