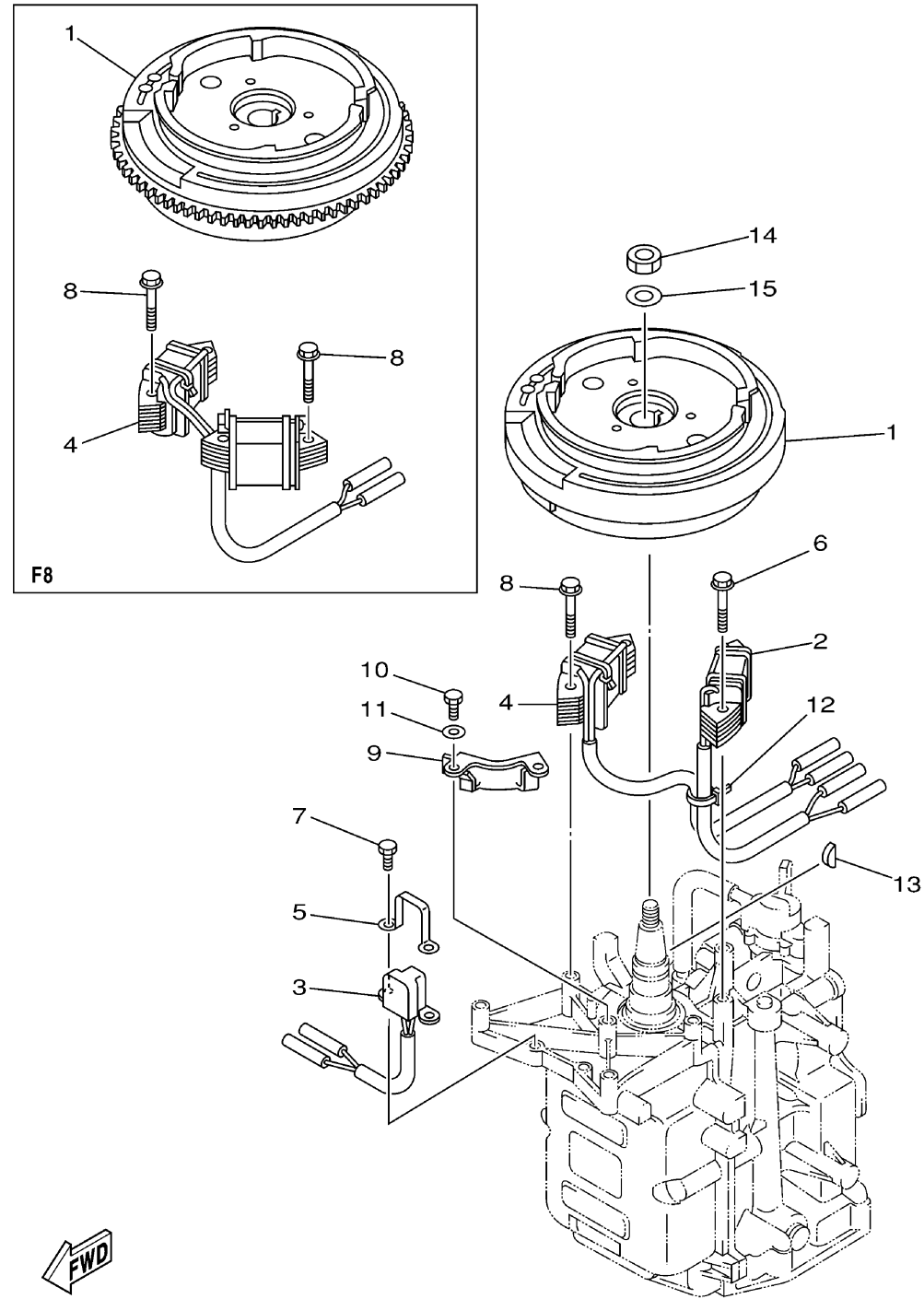


GENERATOR



| Ref No. | Part Number | Description | Qty | Remarks |
|---------|-----------------|--------------------|-----|---------|
| 1 | 68T-85550-01-00 | ROTOR ASSY | 1 | UR F6A |
| 1 | 68T-85550-11-00 | ROTOR ASSY | 1 | UR F8C |
| 2 | 68T-85520-00-00 | COIL, CHARGE | 1 | |
| 3 | 68T-85580-01-00 | COIL, PULSER | 1 | |
| 4 | 68T-85533-10-00 | COIL, LIGHTING | 1 | UR F8C |
| 4 | 68T-85533-00-00 | COIL, LIGHTING | 1 | UR F6A |
| 5 | 6H2-85582-00-00 | ATTACHMENT, PULSER | 1 | |
| 6 | 90119-06014-00 | BOLT, WITH WASHER | 2 | |
| 7 | 97095-05010-00 | BOLT | 2 | |
| 8 | 90119-06MA1-00 | BOLT, WITH WASHER | 4 | UR F8C |
| 8 | 90119-06MA1-00 | BOLT, WITH WASHER | 2 | UR F6A |
| 9 | 68T-81328-00-00 | CLAMP | 1 | F6A |
| 10 | 97013-06012-00 | .BOLT | 2 | F6A |
| 11 | 92903-06600-00 | WASHER, PLATE | 2 | F6A |
| 12 | 90465-11M10-00 | CLAMP | 1 | |
| 13 | 90280-04M06-00 | KEY, WOODRUFF | 1 | |
| 14 | 90170-12066-00 | NUT | 1 | |
| 15 | 90201-12472-00 | WASHER, PLATE | 1 | |



68R0110-1120