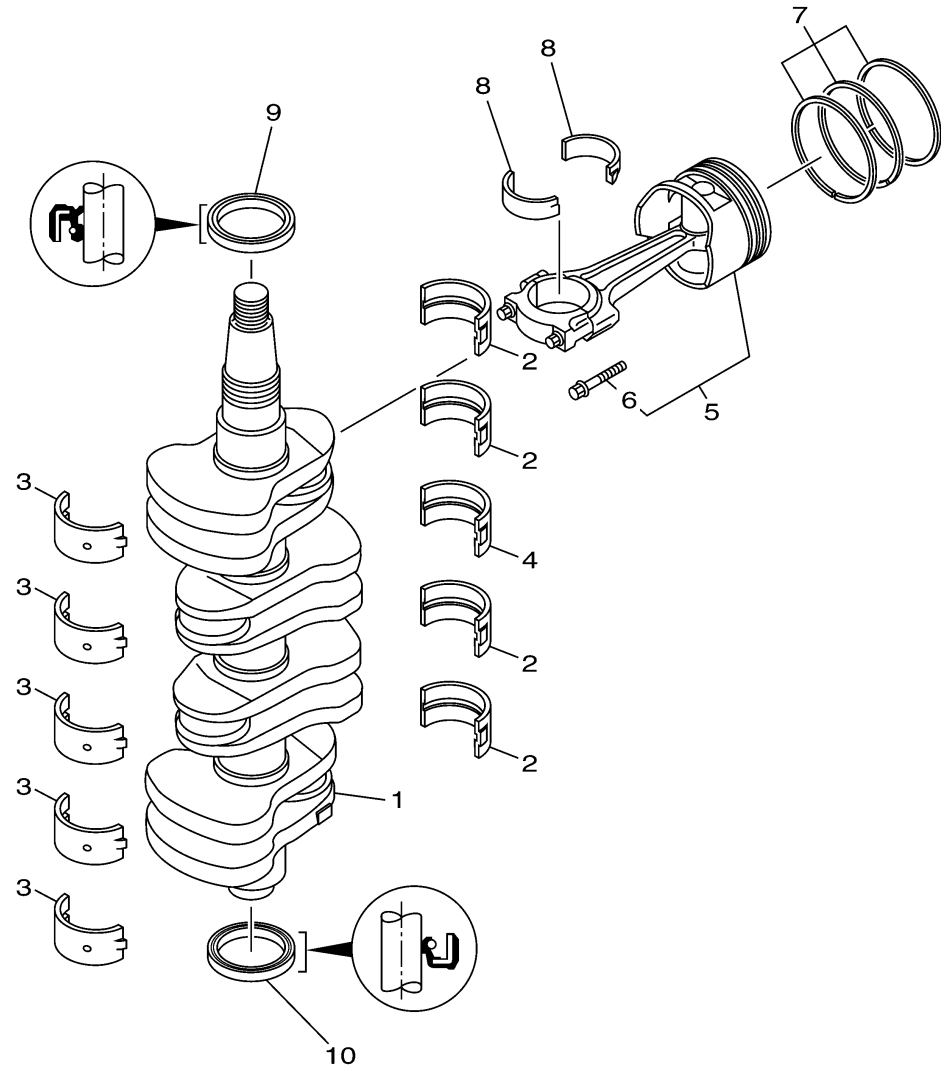


CRANKSHAFT PISTON



Ref No.	Part Number	Description	Qty	Remarks
1	6D8-11411-00-00	CRANKSHAFT	1	
2	67F-11416-20-00	PLANE BEARING, CRANKSHAFT 1	4	UR RED
2	67F-11416-00-00	PLANE BEARING, CRANKSHAFT 1	4	UR GREEN
2	67F-11416-10-00	PLANE BEARING, CRANKSHAFT 1	4	UR BLUE
3	67F-11417-10-00	PLANE BEARING, CRANKSHAFT 2	5	UR GREEN
3	67F-11417-30-00	PLANE BEARING, CRANKSHAFT 2	5	UR RED
3	67F-11417-20-00	PLANE BEARING, CRANKSHAFT 2	5	UR BLUE
3	67F-11417-00-00	PLANE BEARING, CRANKSHAFT 2	5	UR YELLOW
4	67F-11418-20-00	PLANE BEARING, CRANKSHAFT 3	1	UR RED
4	67F-11418-10-00	PLANE BEARING, CRANKSHAFT 3	1	UR BLUE
4	67F-11418-00-00	PLANE BEARING, CRANKSHAFT 3	1	UR GREEN
5	6D8-W1164-00-00	PISTON/CON-ROD ASSY(STD)	4	
5	6D8-W1164-10-00	PISTON/CON-ROD ASSY(0.25MM OS)	4	AP
6	67F-11654-00-00	. .BOLT, CONNECTING ROD	2	
7	6D8-11603-01-00	PISTON RING SET (STD)	4	
7	6D8-11604-01-00	PISTON RING SET (0.25MM O/S)	4	AP
8	6D8-11656-30-00	PLANE BEARING, CONNECTING ROD	8	UR RED
8	6D8-11656-20-00	PLANE BEARING, CONNECTING ROD	8	UR BLUE
8	6D8-11656-00-00	PLANE BEARING, CONNECTING ROD	8	UR YELLOW
8	6D8-11656-10-00	PLANE BEARING, CONNECTING ROD	8	UR GREEN

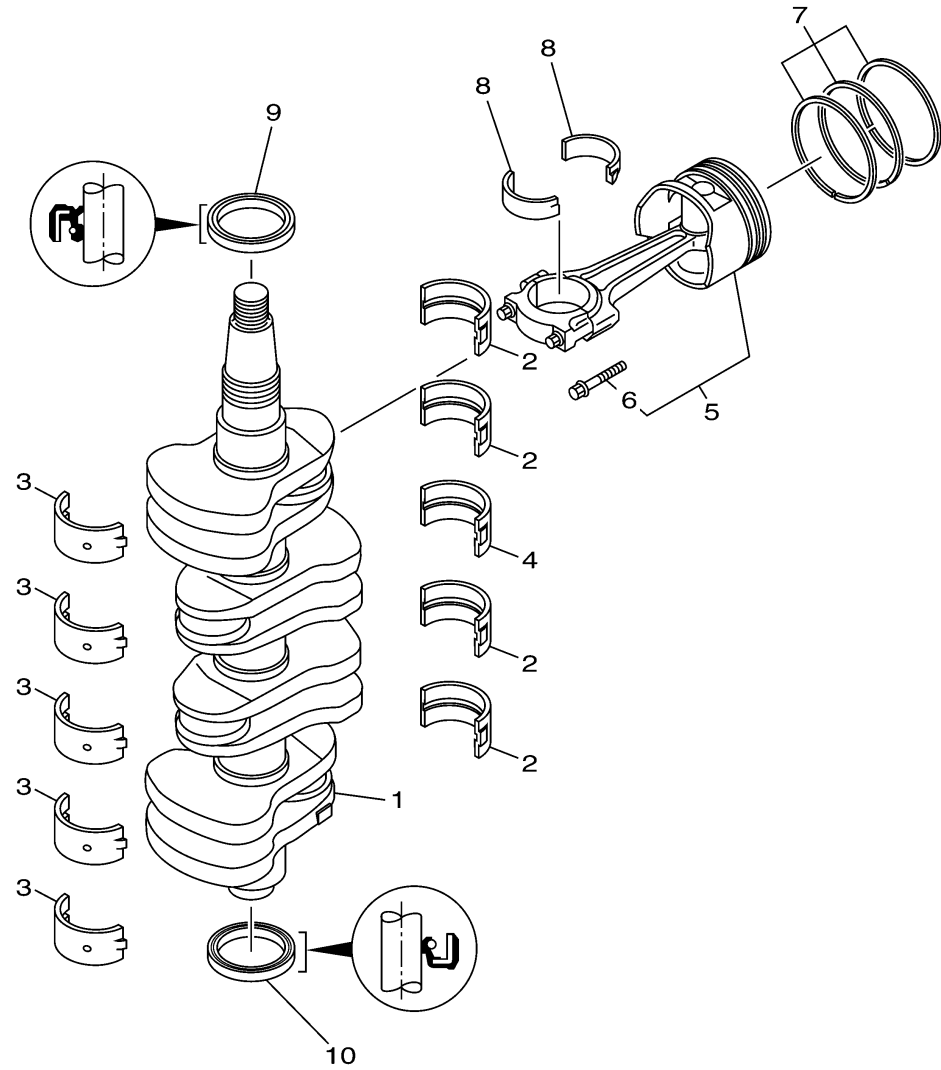
CONTINUED ON NEXT FRAME >



6D81100-D030

CRANKSHAFT PISTON

Ref No.	Part Number	Description	Qty	Remarks
9	93102-48008-00	.OIL SEAL	1	
10	93101-48001-00	.OIL SEAL	1	



6D81100-D030