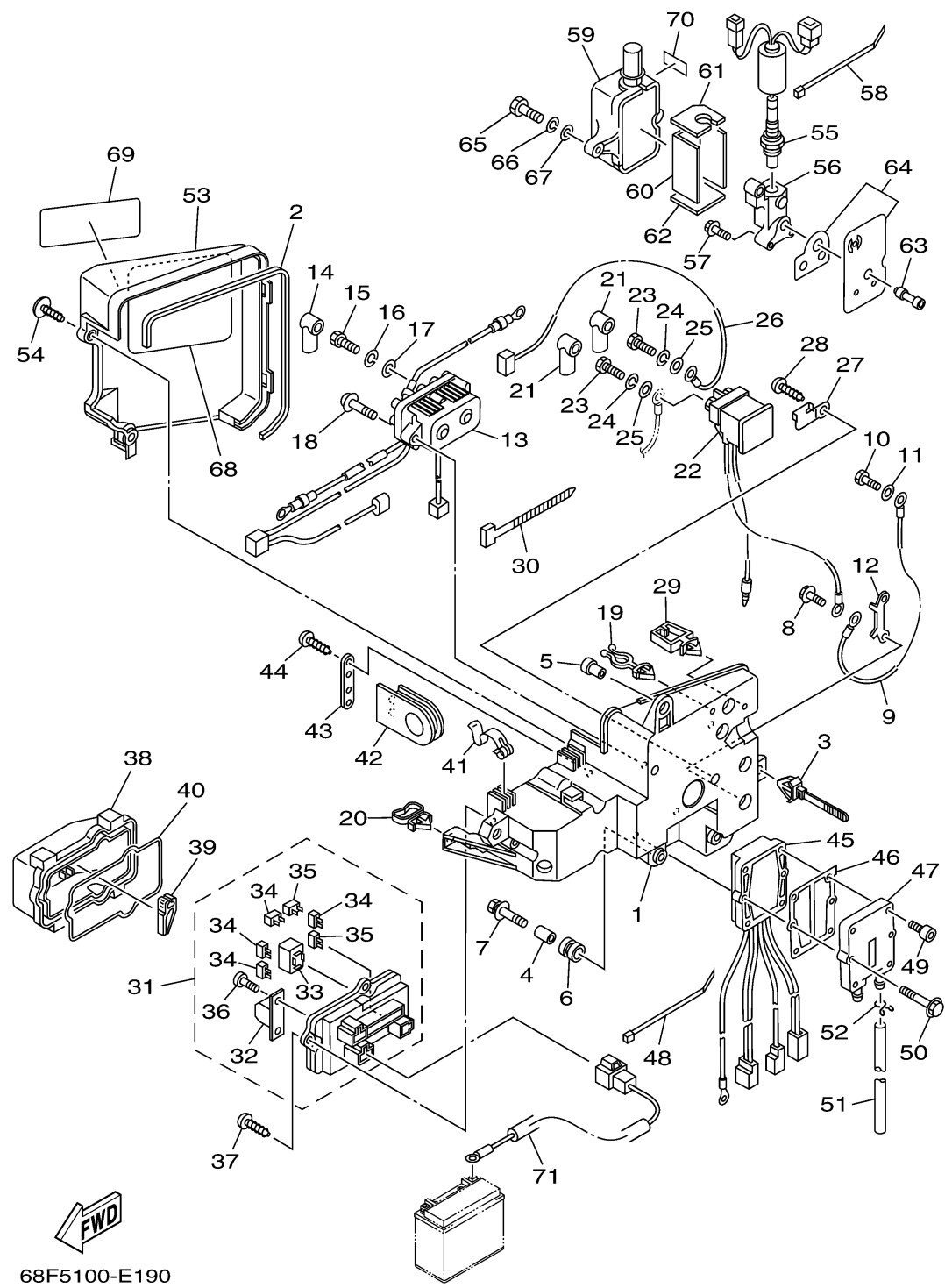


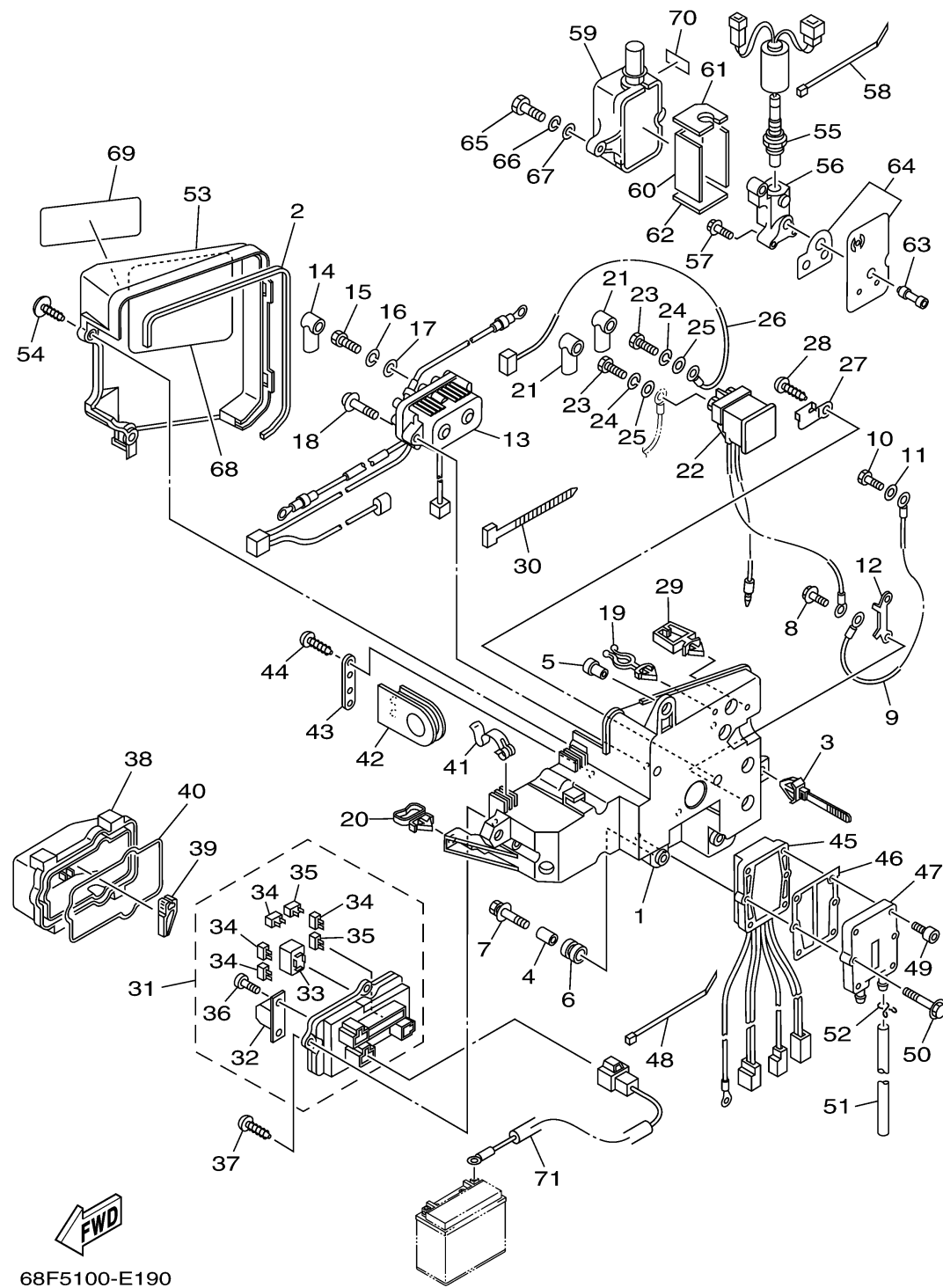
ELECTRICAL 3



Ref No.	Part Number	Description	Qty	Remarks
1	68F-81948-02-00	BRACKET	1	
2	68F-82535-00-00	GROMMET	1	
3	90465-12M56-00	CLAMP	1	
4	90387-06119-00	COLLAR	4	
5	90387-06M91-00	COLLAR	1	
6	6A0-82317-00-00	DAMPER, IGNITION COIL	5	
7	90119-06M65-00	BOLT, WITH WASHER	5	
8	90110-06139-00	BOLT, HEXAGON SOCKET HEAD	2	
9	68F-81949-20-00	WIRE, LEAD	1	
10	97095-06012-00	BOLT	1	
11	92995-06600-00	WASHER	1	
12	61A-87149-00-00	CONNECTOR	1	
13	68F-81950-01-00	RELAY ASSY	1	
14	682-82119-01-00	COVER, LEAD WIRE	1	
15	97095-06010-00	BOLT	2	
16	92995-06100-00	WASHER, SPRING	2	
17	92995-06600-00	WASHER	2	
18	90110-06191-00	BOLT, HEXAGON SOCKET HEAD	2	
19	90464-18M46-00	CLAMP	1	
20	90464-23199-00	CLAMP	1	

CONTINUED ON NEXT FRAME >

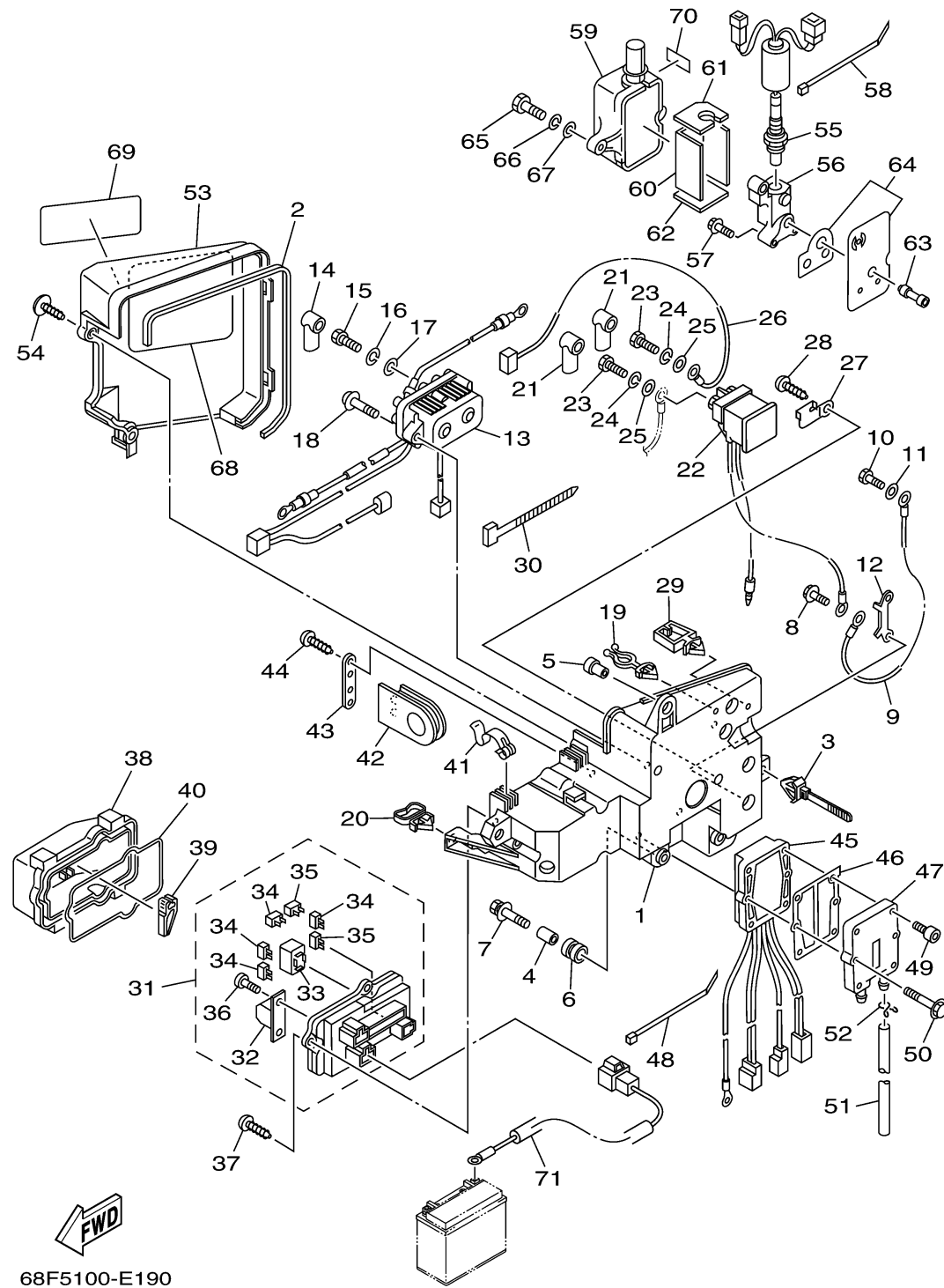
ELECTRICAL 3



Ref No.	Part Number	Description	Qty	Remarks
21	682-82119-01-00	COVER, LEAD WIRE	2	
22	68V-8194A-00-00	RELAY	1	
23	97095-06010-00	BOLT	2	
24	92995-06100-00	WASHER, SPRING	2	
25	92995-06600-00	WASHER	2	
26	68F-82117-00-00	WIRE, LEAD	1	
27	68F-81953-00-00	STAY, RELAY	1	
28	97780-60620-00	SCREW, TAPPING	1	
29	90464-05141-00	CLAMP	1	
30	90465-11M52-00	CLAMP	1	
31	68F-82170-01-00	FUSE BOX ASSY	1	
32	6P2-82151-00-00	. . FUSE (60A)	2	
33	68F-8195A-00-00	. . RELAY ASSY	2	
34	67F-82151-00-00	. . FUSE (20A)	4	
35	67F-82151-10-00	. . FUSE (30A)	2	
36	68F-82846-00-00	. . SCREW, PAN HEAD (M5)	4	
37	97780-50620-00	SCREW, TAPPING	3	
38	68F-85544-00-00	CASE	1	
39	67F-2812A-00-00	. PULLER, FUSE	1	
40	68F-82176-00-00	DAMPER	1	

CONTINUED ON NEXT FRAME >

ELECTRICAL 3



Ref No.	Part Number	Description	Qty	Remarks
41	68F-8572S-00-00	SPRING	2	
42	68F-81336-00-00	GROMMET	1	
43	68F-81128-00-00	CLAMP	1	
44	97780-50616-00	SCREW, TAPPING	2	
45	68F-81960-01-00	RECTIFIER & REGULATOR ASSY	1	
46	69J-81975-A0-00	PLATE, RECTIFIER FITTING	1	
47	69J-81972-01-1S	COVER, RECTIFIER	1	
48	90465-13M18-00	CLAMP	1	
49	90110-06M07-00	BOLT, HEXAGON SOCKET HEAD	4	
50	90119-06MA4-00	BOLT, WITH WASHER	2	
51	90445-09097-00	HOSE (L250)	1	
52	90467-08M18-00	CLIP	1	
53	68F-81942-00-00	COVER	1	
54	90169-05M00-00	SCREW, TRUSS HEAD TAPPING	2	
55	68F-8592A-00-00	SENSOR, OXYGEN	1	
56	65L-11395-00-00	HOLDER	1	
57	90119-06M74-00	BOLT, WITH WASHER	3	
58	90465-13M18-00	CLAMP	1	
59	65L-85832-00-00	CASE, UNDER	1	
60	65L-11354-00-00	GASKET	1	

CONTINUED ON NEXT FRAME >

ELECTRICAL 3

Ref No.	Part Number	Description	Qty	Remarks
61	65L-1131N-00-00	GASKET, HOLDER	1	
62	65L-11396-00-00	GASKET, HOLDER	1	
63	68F-11353-00-00	JOINT	1	
64	68F-W1135-00-00	SEAL, CYLINDER	1	
65	97095-06030-00	BOLT	2	
66	92995-06100-00	WASHER, SPRING	2	
67	92995-06600-00	WASHER	2	
68	68F-81919-20-00	GRAPHIC, REGULATOR	1	
69	68F-81919-00-00	GRAPHIC, REGULATOR	1	
70	65L-83625-40-00	MARK 5	1	
71	68F-81949-01-00	WIRE, LEAD (ISOLATOR CABLE)	1	AP

