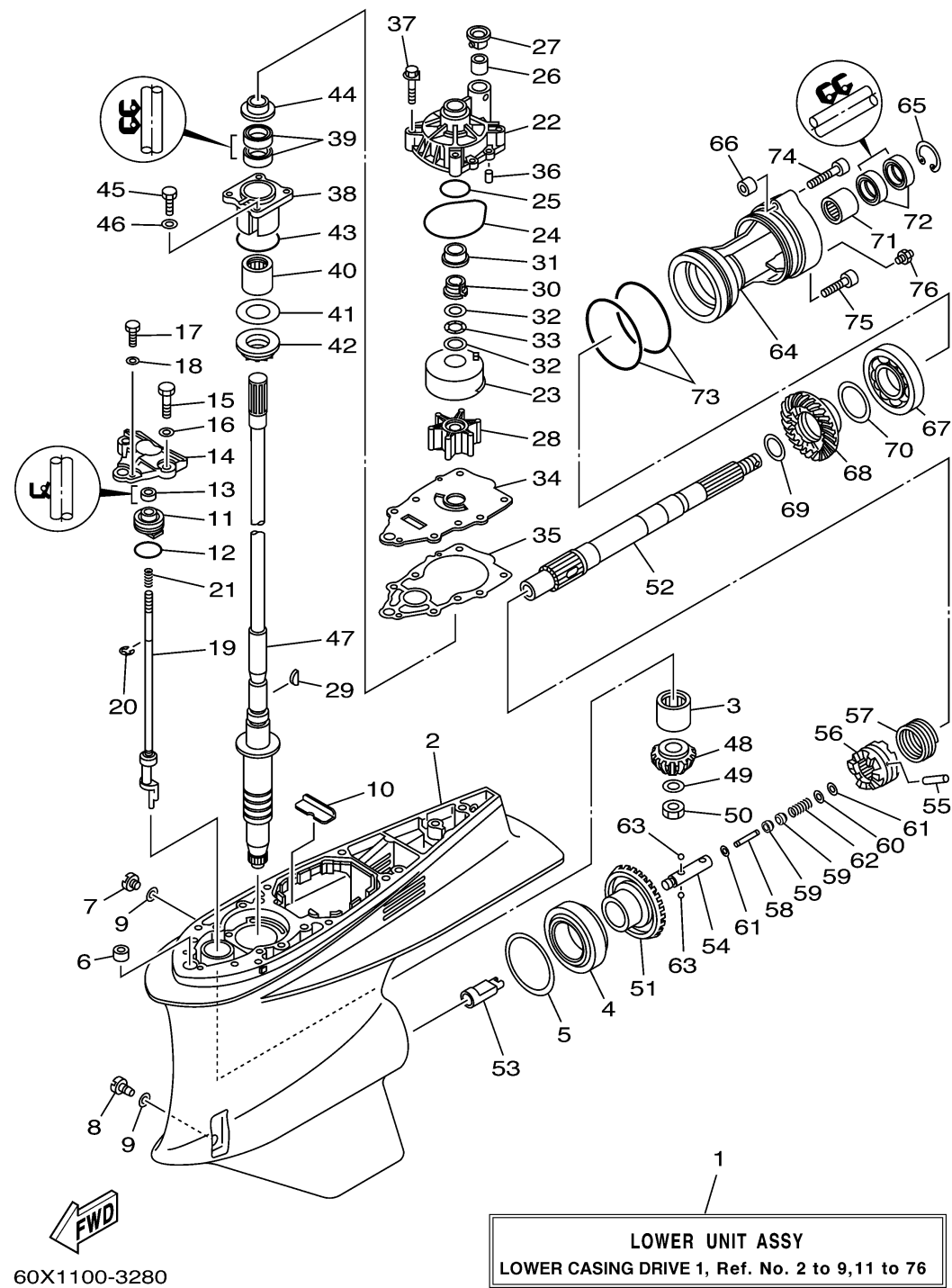


60X1100-3280

LOWER CASING DRIVE 1

| Ref No. | Part Number | Description | Qty | Remarks |
|---------|-----------------|----------------------|-----|---------------------------|
| 1 | 6P5-45300-10-NA | LOWER UNIT ASSY | 1 | UR: VZ200RTL |
| 1 | 60X-45300-10-NA | LOWER UNIT ASSY | 1 | UR: VZ225HTLR / VZ250FTLR |
| 2 | 60X-45311-00-NA | CASING, LOWER | 1 | |
| 3 | 93311-83280-00 | BEARING | 1 | |
| 4 | 93332-000W1-00 | BEARING | 1 | |
| 5 | 61A-45567-10-00 | SHIM (T:0.12MM) | 1 | UR |
| 5 | 61A-45567-00-00 | SHIM (T:0.10MM) | 1 | UR |
| 5 | 61A-45567-20-00 | SHIM (T:0.15MM) | 1 | UR |
| 5 | 61A-45567-60-00 | SHIM (T:0.50MM) | 1 | UR |
| 5 | 61A-45567-50-00 | SHIM (T:0.40MM) | 1 | UR |
| 5 | 61A-45567-30-00 | SHIM (T:0.18MM) | 1 | UR |
| 5 | 61A-45567-40-00 | SHIM (T:0.30MM) | 1 | UR |
| 6 | 663-44366-00-00 | DAMPER, WATER SEAL 2 | 1 | |
| 7 | 90340-08002-00 | PLUG, STRAIGHT SCREW | 1 | |
| 8 | 688-45341-10-00 | PLUG, DRAIN | 1 | |
| 9 | 90430-08020-00 | .GASKET | 2 | |
| 10 | 61A-45376-00-94 | GUIDE, SEAL DAMPER | 1 | |
| 11 | 65N-45321-00-00 | PLATE | 1 | |
| 12 | 93210-33M49-00 | .O-RING | 1 | |
| 13 | 93106-09014-00 | .OIL SEAL | 1 | |

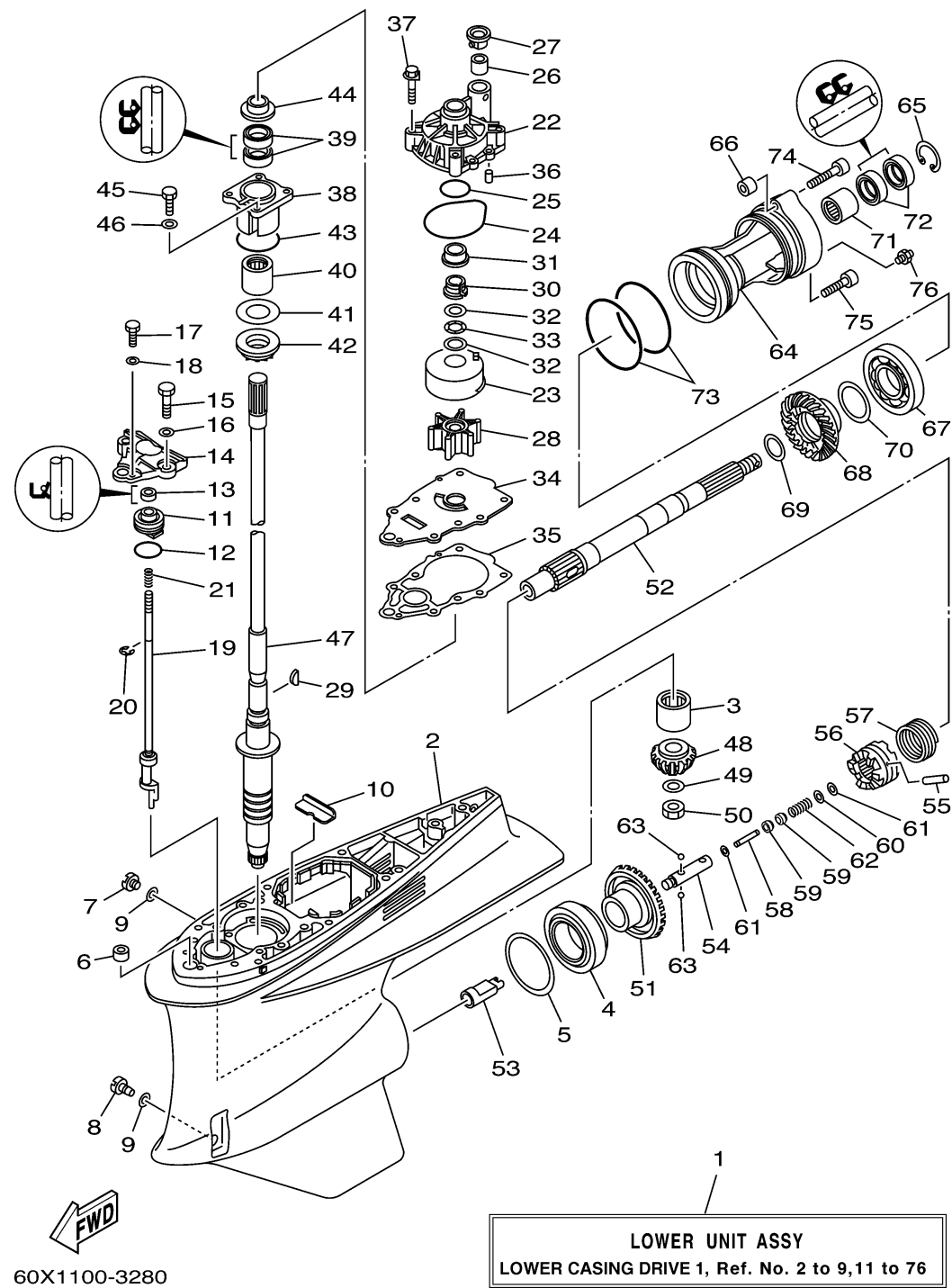
CONTINUED ON NEXT FRAME >



LOWER CASING DRIVE 1

| Ref No. | Part Number | Description | Qty | Remarks |
|---------|-----------------|---------------------------|-----|---------|
| 14 | 60X-44312-00-00 | COVER, WATER PUMP HOUSING | 1 | |
| 15 | 97095-08030-00 | BOLT | 2 | |
| 16 | 92995-08600-00 | WASHER | 2 | |
| 17 | 97095-06016-00 | BOLT | 1 | |
| 18 | 92995-06600-00 | WASHER | 1 | |
| 19 | 60X-44150-00-00 | SHIFT CAM ASSY | 1 | |
| 20 | 99001-08600-00 | CIRCLIP | 1 | |
| 21 | 90501-11M10-00 | SPRING, COMPRESSION | 1 | |
| 22 | 61A-44311-01-00 | HOUSING, WATER PUMP | 1 | |
| 23 | 61A-44322-02-00 | .INSERT, CARTRIDGE | 1 | |
| 24 | 93210-86M38-00 | .O-RING | 1 | |
| 25 | 93210-37160-00 | .O-RING | 1 | |
| 26 | 6E5-44365-00-00 | DAMPER, WATER SEAL 1 | 1 | |
| 27 | 6E5-44312-00-00 | COVER, WATER PUMP HOUSING | 1 | |
| 28 | 6E5-44352-01-00 | .IMPELLER | 1 | |
| 29 | 90280-04M05-00 | .KEY, WOODRUFF | 1 | |
| 30 | 61A-45538-00-00 | SPACER 1 | 1 | |
| 31 | 61A-45527-00-00 | COLLAR, DRIVE SHAFT | 1 | |
| 32 | 90201-22M01-00 | WASHER, PLATE | 2 | |
| 33 | 90206-22M19-00 | WASHER, WAVE | 1 | |

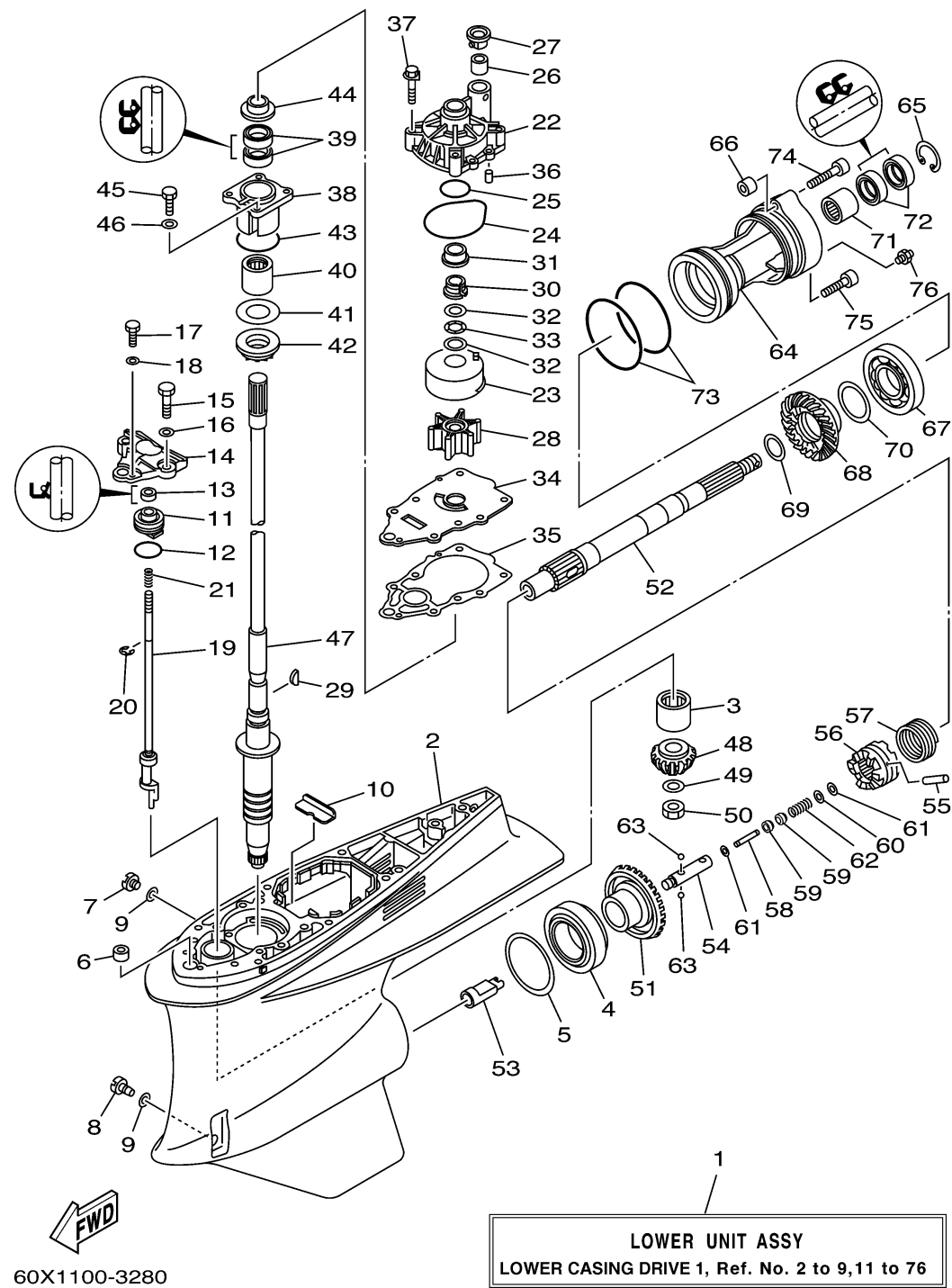
CONTINUED ON NEXT FRAME >



LOWER CASING DRIVE 1

| Ref No. | Part Number | Description | Qty | Remarks |
|---------|-----------------|-------------------------|-----|---------|
| 34 | 60X-44323-00-00 | .OUTER PLATE, CARTRIDGE | 1 | |
| 35 | 60X-44315-A0-00 | .GASKET, WATER PUMP | 1 | |
| 36 | 93606-12019-00 | .PIN, DOWEL | 2 | |
| 37 | 90119-08M14-00 | .BOLT, WITH WASHER | 4 | |
| 38 | 61A-45331-00-94 | HOUSING, BEARING | 1 | |
| 39 | 93101-28M16-00 | .OIL SEAL | 2 | |
| 40 | 93317-330U2-00 | BEARING | 1 | |
| 41 | 61A-45587-00-00 | SHIM (T:0.10MM) | 1 | UR |
| 41 | 61A-45587-10-00 | SHIM (T:0.12MM) | 1 | UR |
| 41 | 61A-45587-20-00 | SHIM (T:0.15MM) | 1 | UR |
| 41 | 61A-45587-30-00 | SHIM (T:0.18MM) | 1 | UR |
| 41 | 61A-45587-40-00 | SHIM (T:0.30MM) | 1 | UR |
| 41 | 61A-45587-50-00 | SHIM (T:0.40MM) | 1 | UR |
| 41 | 61A-45587-60-00 | SHIM (T:0.50MM) | 1 | UR |
| 42 | 93341-930U9-00 | BEARING | 1 | |
| 43 | 93210-55M14-00 | .O-RING | 1 | |
| 44 | 6E5-45344-00-00 | COVER, OIL SEAL | 1 | |
| 45 | 97095-08025-00 | BOLT | 4 | |
| 46 | 92995-08600-00 | WASHER | 4 | |
| 47 | 60X-45501-10-00 | DRIVE SHAFT COMP. | 1 | |

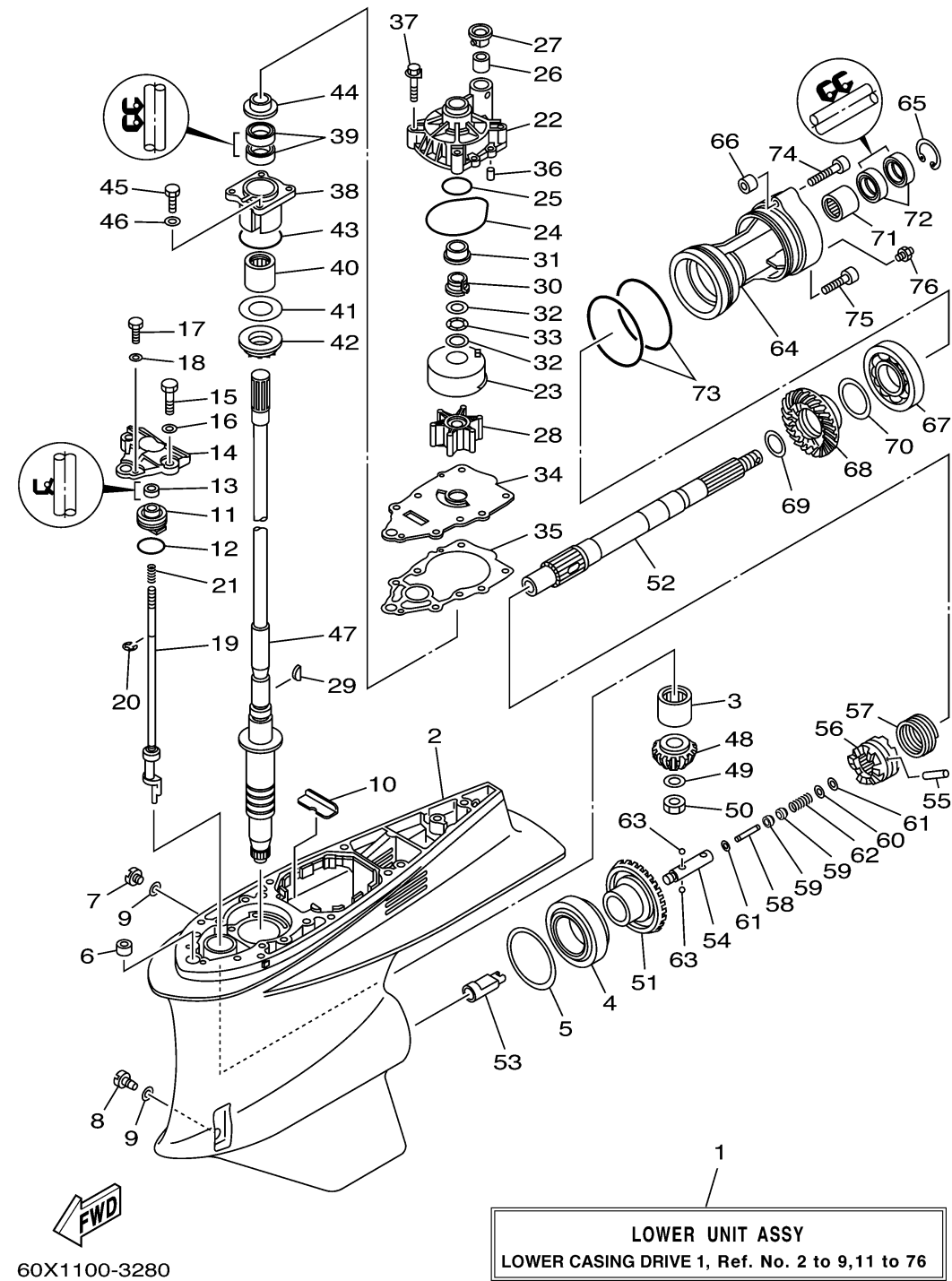
CONTINUED ON NEXT FRAME >



LOWER CASING DRIVE 1

| Ref No. | Part Number | Description | Qty | Remarks |
|---------|-----------------|---------------------|-----|---------------------------|
| 48 | 60V-45551-00-00 | PINION (16T) | 1 | UR: VZ200RTL |
| 48 | 60X-45551-00-00 | PINION (16T) | 1 | UR: VZ225HTLR / VZ250FTLR |
| 49 | 90201-16M00-00 | WASHER, PLATE | 1 | |
| 50 | 90170-16M19-00 | NUT | 1 | |
| 51 | 60V-45560-00-00 | GEAR 1 (29T) | 1 | UR: VZ200RTL |
| 51 | 60X-45560-00-00 | GEAR 1 (28T) | 1 | UR: VZ225HTLR / VZ250FTLR |
| 52 | 60V-45611-00-00 | SHAFT, PROPELLER | 1 | |
| 53 | 61A-45641-02-00 | SHIFTER | 1 | |
| 54 | 61A-45634-01-00 | SLIDE, SHIFT | 1 | |
| 55 | 61A-45632-00-00 | PIN, CROSS | 1 | |
| 56 | 60V-45631-00-00 | CLUTCH, DOG | 1 | |
| 57 | 61A-45633-00-00 | RING, CROSS PIN | 1 | |
| 58 | 6H1-45668-00-00 | SHAFT, FREE 1 | 1 | |
| 59 | 61A-45635-00-00 | PLUNGER, SHIFT | 2 | |
| 60 | 90201-02M00-00 | WASHER, PLATE | 1 | |
| 61 | 90183-02M03-00 | NUT, SPRING | 2 | |
| 62 | 90501-10M77-00 | SPRING, COMPRESSION | 1 | |
| 63 | 93501-04011-00 | .BALL | 2 | |
| 64 | 60X-45332-00-94 | HOUSING, BEARING | 1 | |
| 65 | 93450-45M02-00 | CIRCLIP | 1 | |

CONTINUED ON NEXT FRAME >



LOWER CASING DRIVE 1

| Ref No. | Part Number | Description | Qty | Remarks |
|---------|-----------------|---------------------------|-----|---------------------------|
| 66 | 99590-14016-00 | PIN, DOWEL | 1 | |
| 67 | 93306-210U0-00 | BEARING | 1 | |
| 68 | 61A-45571-00-00 | GEAR 2 (29T) | 1 | UR: VZ200RTL |
| 68 | 69L-45571-00-00 | GEAR 2 (28T) | 1 | UR: VZ225HTLR / VZ250FTLR |
| 69 | 90201-31M00-00 | WASHER, PLATE | 1 | |
| 70 | 61A-45577-00-00 | SHIM (T:0.10MM) | 1 | UR |
| 70 | 61A-45577-10-00 | SHIM (T:0.12MM) | 1 | UR |
| 70 | 61A-45577-20-00 | SHIM (T:0.15MM) | 1 | UR |
| 70 | 61A-45577-30-00 | SHIM (T:0.18MM) | 1 | UR |
| 70 | 61A-45577-40-00 | SHIM (T:0.30MM) | 1 | UR |
| 70 | 61A-45577-50-00 | SHIM (T:0.40MM) | 1 | UR |
| 70 | 61A-45577-60-00 | SHIM (T:0.50MM) | 1 | UR |
| 71 | 93315-43061-00 | BEARING | 1 | |
| 72 | 93101-30002-00 | .OIL SEAL | 2 | |
| 73 | 93211-04384-00 | .O-RING | 2 | |
| 74 | 90110-10006-00 | BOLT, HEXAGON SOCKET HEAD | 1 | |
| 75 | 90110-08030-00 | BOLT, HEXAGON SOCKET HEAD | 1 | |
| 76 | 93700-09M00-00 | NIPPLE, GREASE | 1 | |