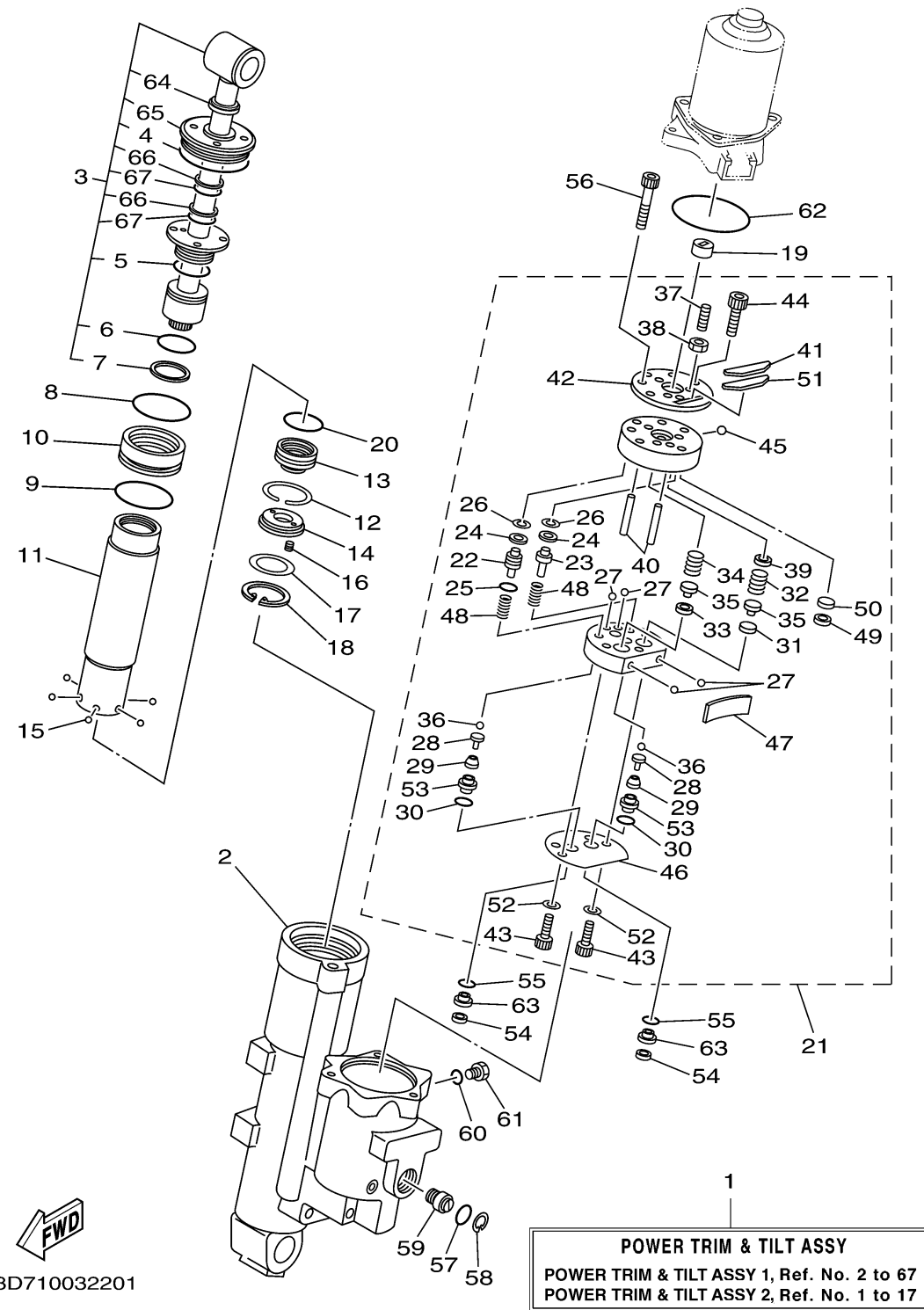


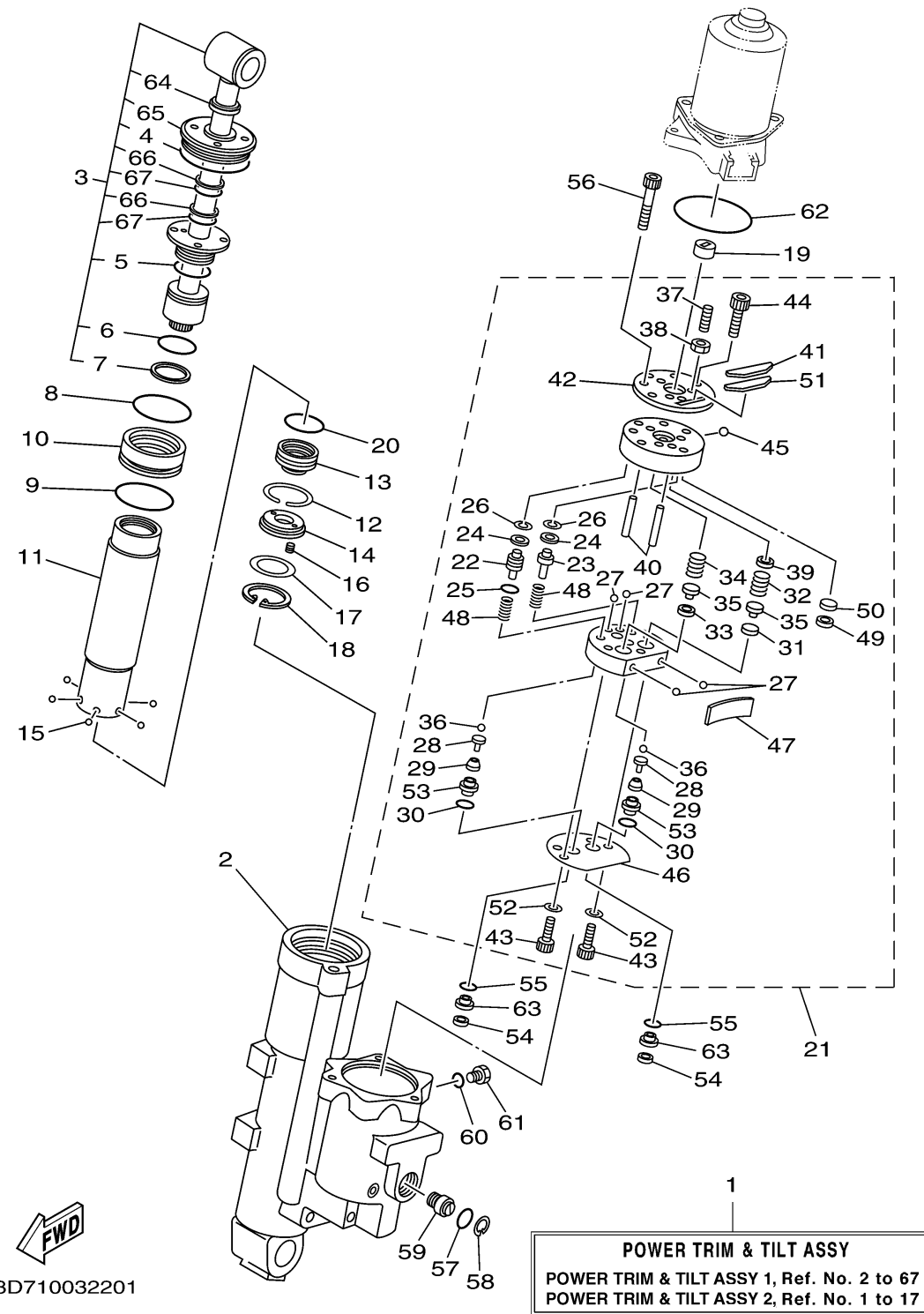
POWER TRIM TILT ASSY 1



Ref No.	Part Number	Description	Qty	Remarks
1	62Y-43800-01-4D	POWER TRIM & TILT ASSY	1	
2	62Y-4380K-01-00	CYLINDER, TILT SUB ASSY	1	
3	62X-43810-01-00	. TILT PISTON SUB ASSY	1	
4	62X-43861-00-00	...O-RING	1	
5	62X-43862-00-00	...O-RING	1	
6	93210-29375-00	...O-RING	1	
7	62X-43871-00-00	...RING, BACK UP	1	
8	93210-44383-00	O-RING	1	
9	93210-48214-00	.O-RING	1	
10	62X-4388A-00-00	PISTON, TRIM	1	
11	62Y-22471-00-00	CYLINDER, SHOCK ABSORBER	1	
12	67F-43875-00-00	RING, SNAP	1	
13	69W-4381B-00-00	FREE PISTON SUB ASSY	1	
14	62X-43899-00-00	PLATE STOPPER	1	
15	93503-16003-00	BALL	6	
16	62X-4384H-00-00	SPRING	2	
17	1UF-22434-00-00	PLATE, VALVE 1	1	
18	62X-43875-00-00	RING, SNAP	1	
19	6H1-43831-10-00	CONNECTOR, SHAFT	1	
20	93210-29375-00	.O-RING	1	

CONTINUED ON NEXT FRAME >

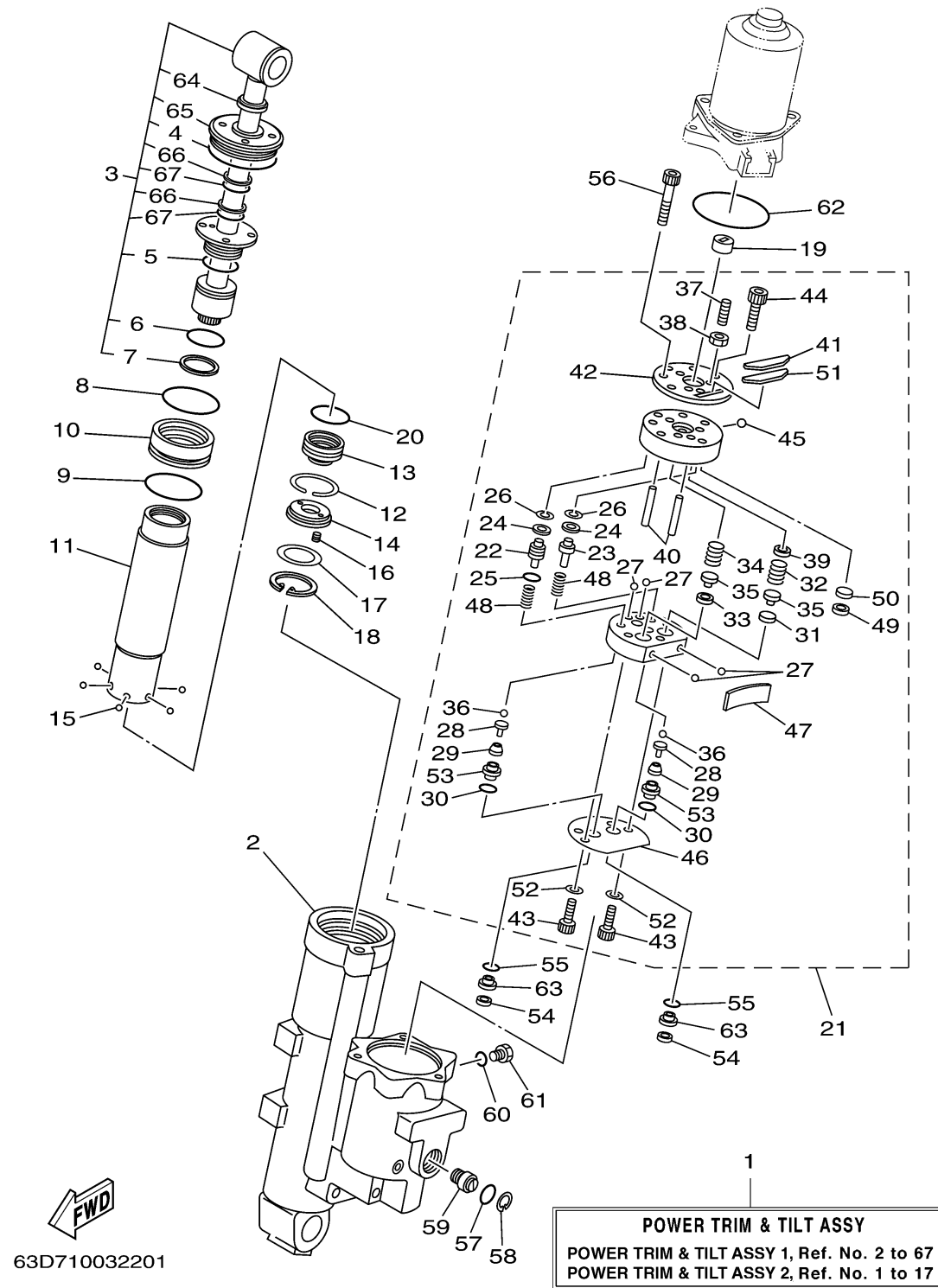
POWER TRIM TILT ASSY 1



Ref No.	Part Number	Description	Qty	Remarks
21	62Y-43830-01-00	GEAR PUMP ASSY	1	
22	69J-43841-00-00	..PISTON, SHUTTLE	1	
23	69J-4384M-00-00	..PISTON, SHUTTLE 2	1	
24	69A-4384F-00-00	..SEAL, MAIN VALVE	2	
25	6H1-43883-00-00	..O-RING	1	
26	99002-03600-00	..CLIP	2	
27	93505-32038-00	..BALL	4	
28	65W-4386A-00-00	...PIN, ABSORBER VALVE	2	
29	69J-43853-00-00	..SPRING, MAIN VALVE	2	
30	69J-4389J-00-00	..O-RING	2	
31	6H1-4384G-11-00	..SEAL, RELIEF VALVE	1	
32	62Y-43855-00-00	..SPRING, UP RELIEF	1	
33	6H1-4384F-10-00	..SEAL, MAIN VALVE	1	
34	6H1-43856-10-00	..SPRING, DOWN RELIEF	1	
35	6H1-43844-10-00	..PIN, VALVE SUPPORT	2	
36	93505-32038-00	..BALL	2	
37	92A08-03110-00	..SCREW SET	1	
38	95302-03600-00	..NUT	1	
39	62Y-4382A-00-00	..ADAPTOR 1	1	
40	93604-26256-00	..PIN, DOWEL	2	

CONTINUED ON NEXT FRAME >

POWER TRIM TILT ASSY 1



Ref No.	Part Number	Description	Qty	Remarks
41	62Y-43816-00-00	..FILTER 1	1	
42	62Y-4382L-00-00	..CAP, RELIEF VALVE	1	
43	91318-05020-00	..BOLT	2	
44	91318-05008-00	..BOLT	2	
45	93501-08001-00	..BALL	1	
46	69W-4384G-00-00	..SEAL, RELIEF VALVE	1	
47	62Y-43854-00-00	..SPRING, MANUAL RELEASE	1	
48	69J-43894-00-00	..SPRING, SHUTTLE RETURN	2	
49	62Y-4387J-00-00	..WASHER, SPECIAL 2	1	
50	62Y-22434-00-00	..PLATE, VALVE 1	1	
51	62Y-43871-00-00	..RING, BACK UP	1	
52	62Y-4387G-00-00	..WASHER	2	
53	69J-43893-00-00	..WASHER	2	
54	6H1-43816-00-00	FILTER 1	2	
55	69J-4389J-00-00	..O-RING	2	
56	91318-06040-00	BOLT	3	
57	93210-18397-00	O-RING	1	
58	6H1-43875-00-00	RING, SNAP	1	
59	62Y-43845-00-00	SCREW, MANUAL RELEASE	1	
60	93210-09165-00	O-RING	1	

CONTINUED ON NEXT FRAME >

POWER TRIM TILT ASSY 1

Ref No.	Part Number	Description	Qty	Remarks
61	6H1-43829-00-00	PLUG, RESERVOIR	1	
62	62X-43865-00-00	O-RING	1	
63	69W-43899-01-00	PLATE STOPPER	2	
64	62Y-43822-00-00	...SEAL, TRIM DUST	1	
65	62X-43821-00-00	...SCREW, TRIM CYLINDER END	1	
66	62X-43872-00-00	...RING, BACK UP	2	
67	6C5-43863-00-00	...O-RING	2	

