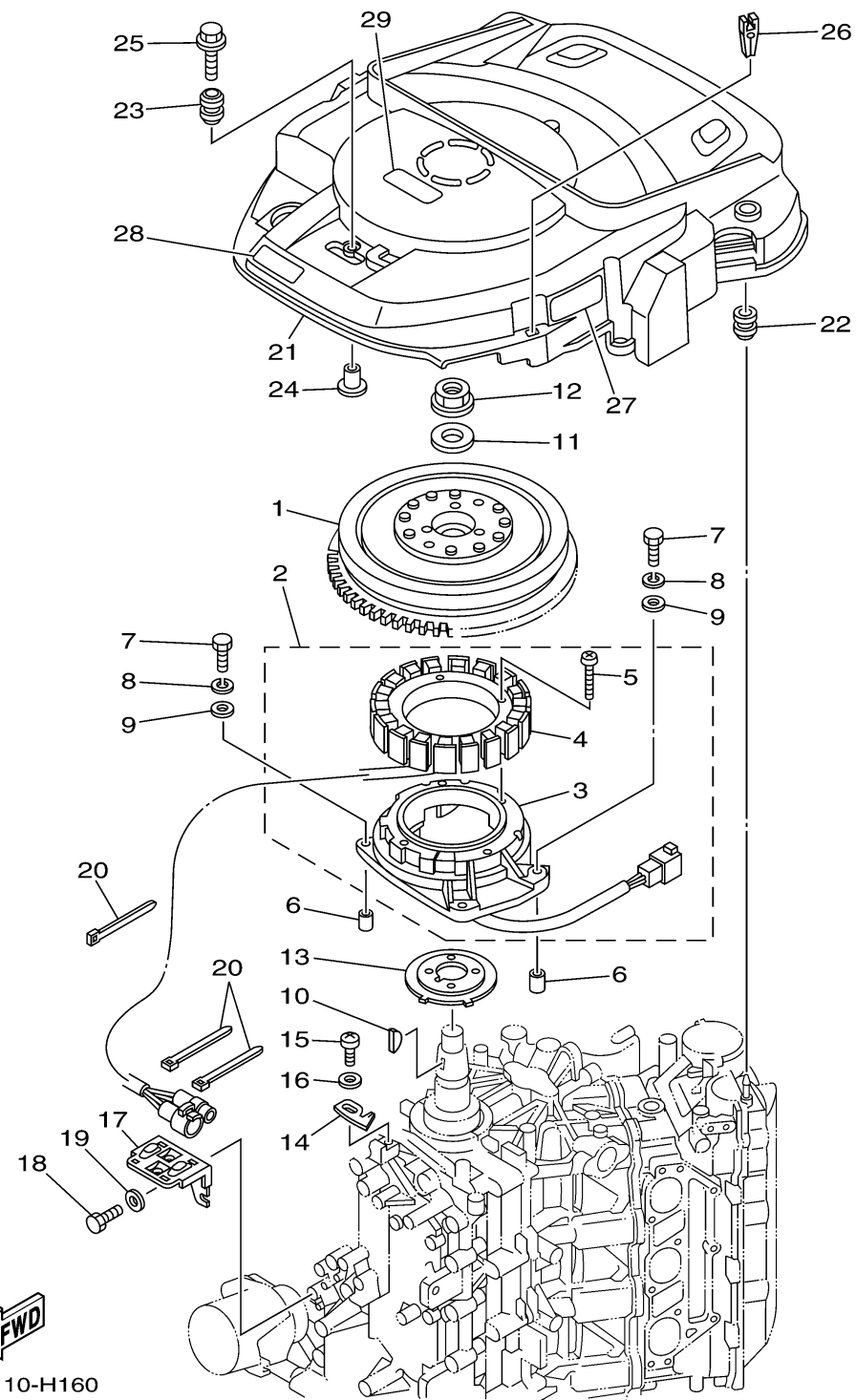


GENERATOR



Ref No.	Part Number	Description	Qty	Remarks
1	69J-81450-10-00	ROTOR ASSY	1	
2	69J-81460-01-00	BASE ASSY	1	
3	69J-85580-00-00	. .COIL, PULSER	1	
4	69J-81410-10-00	. .STATOR ASSY	1	
5	63D-81345-20-00	. .SCREW, WITH WASHER (M6X30)	4	
6	99530-08012-00	PIN, DOWEL	2	
7	97095-06035-00	BOLT	4	
8	92995-06100-00	WASHER, SPRING	4	
9	92995-06600-00	WASHER	4	
10	90280-05015-00	KEY, WOODRUFF	1	
11	90201-24014-00	WASHER, PLATE	1	
12	90179-24002-00	NUT	1	
13	69J-81673-00-00	ROTOR	1	
14	6P2-81332-00-00	PLATE, TIMING	1	
15	97885-06010-00	SCREW, PAN HEAD	1	
16	92995-06600-00	WASHER	1	
17	69J-8132G-00-00	PLATE	1	
18	97095-06016-00	BOLT	1	
19	92995-06600-00	WASHER	1	
20	90465-14M66-00	CLAMP	3	

CONTINUED ON NEXT FRAME >

GENERATOR

Ref No.	Part Number	Description	Qty	Remarks
21	69J-81337-00-00	COVER, FLYWHEEL	1	
22	663-82317-01-00	DAMPER, IGNITION COIL	2	
23	6A0-82317-00-00	DAMPER, IGNITION COIL	3	
24	90387-06119-00	COLLAR	3	
25	90119-06M59-00	BOLT, WITH WASHER	3	
26	67F-2812A-00-00	.PULLER, FUSE	1	
27	69J-81919-20-00	GRAPHIC, REGULATOR	1	
28	60L-13437-41-00	MARK, CAUTION	1	
29	6AH-81994-40-00	LABEL, SAFETY	1	

