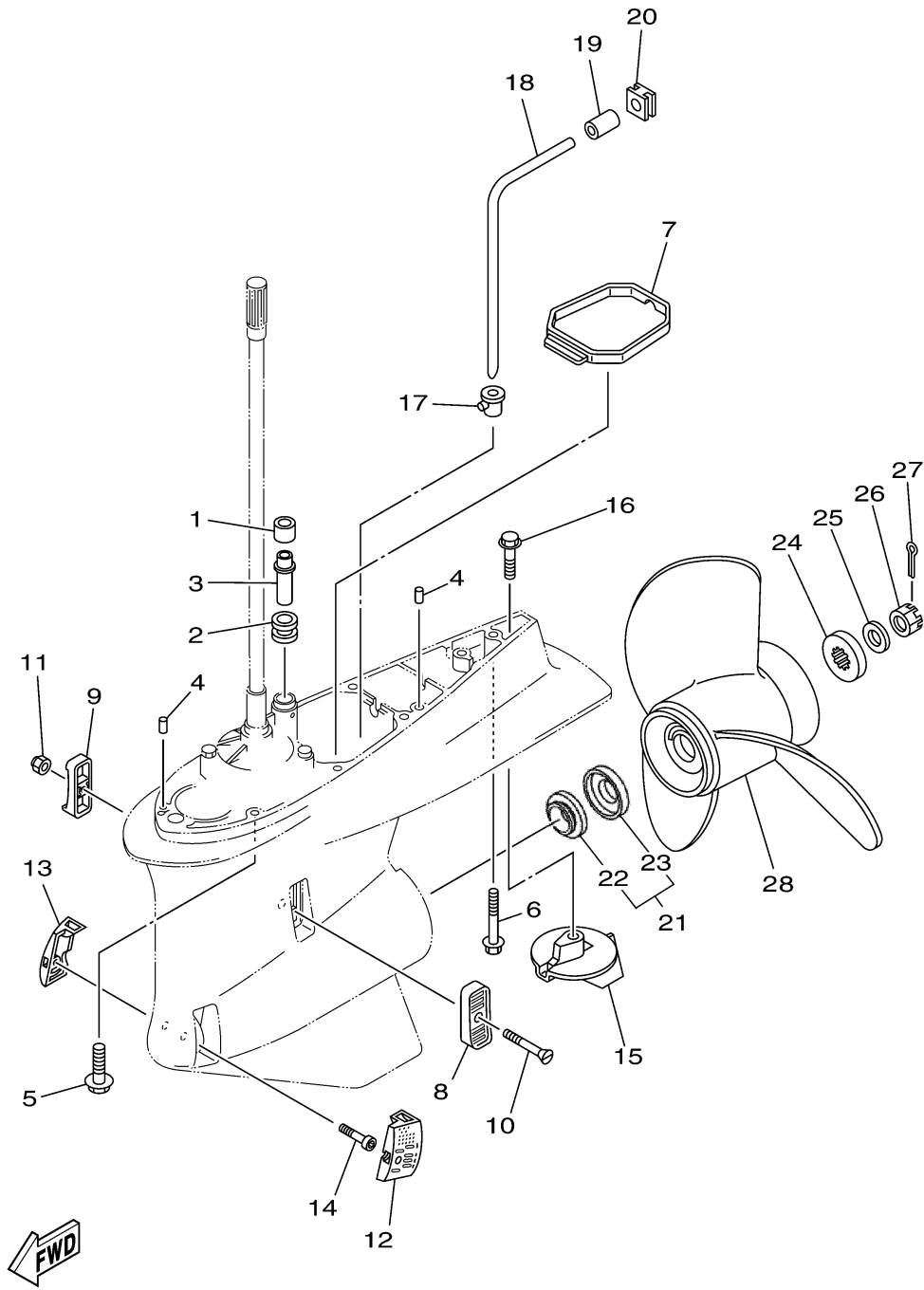


LOWER CASING DRIVE 2

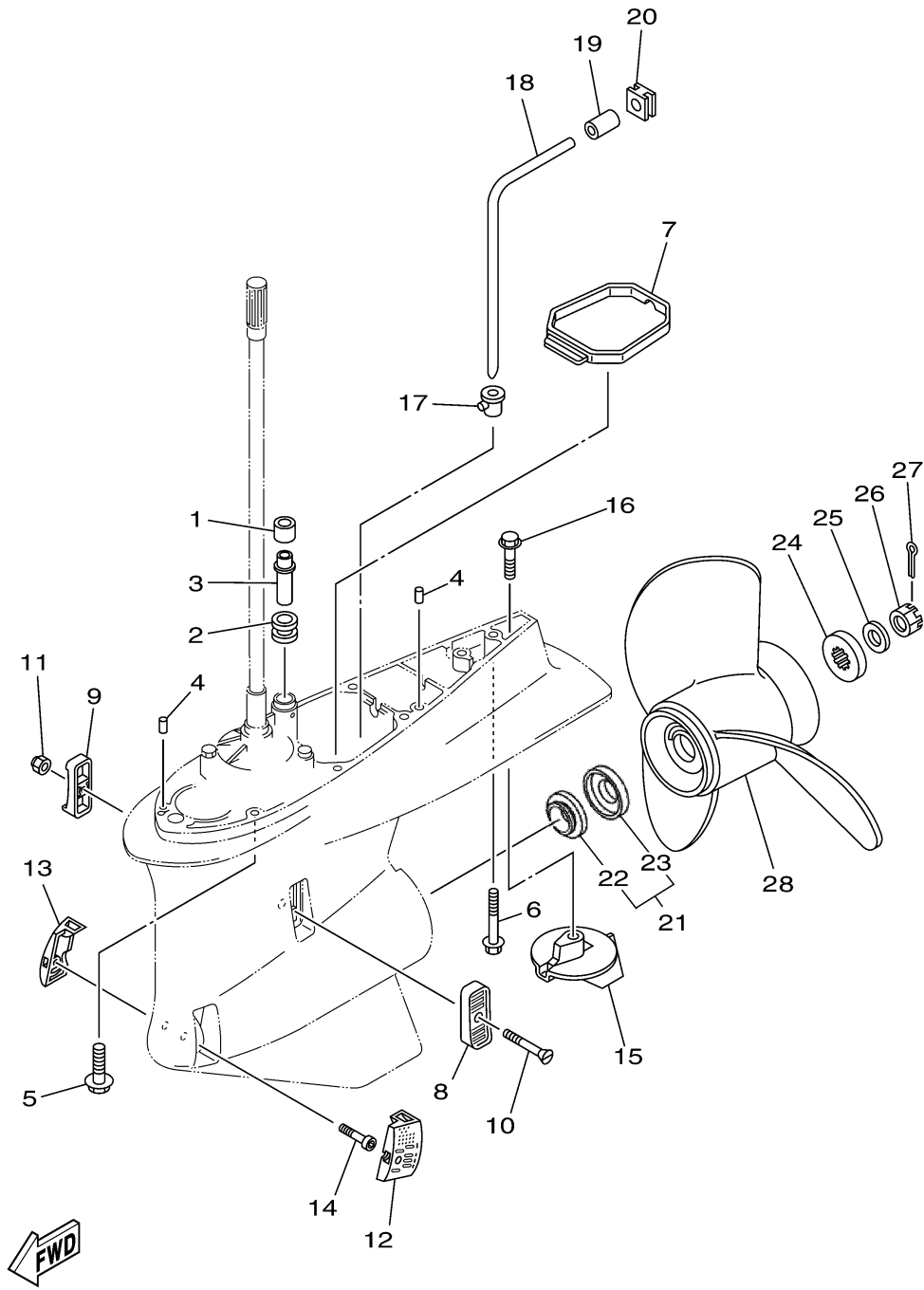


6BB2110-H310

Ref No.	Part Number	Description	Qty	Remarks
1	6E5-44365-00-00	DAMPER, WATER SEAL 1	1	
2	6E5-44366-00-00	DAMPER, WATER SEAL 2	1	
3	6BB-44361-00-00	TUBE, WATER	1	
4	93608-12M05-00	PIN, DOWEL	2	
5	90119-10038-00	BOLT, WITH WASHER	7	
6	90119-10MA2-00	BOLT, WITH WASHER	1	
7	6D0-45375-00-00	DAMPER, SEAL	1	
8	6P2-45214-00-00	COVER, WATER INLET 1	1	
9	6P2-45215-00-00	COVER, WATER INLET 2	1	
10	90152-05M08-00	SCREW, COUNTERSUNK	1	
11	90185-05002-00	NUT, NYLON	1	
12	6P2-45224-00-00	COVER, WATER INLET 3	1	
13	6P2-45225-00-00	COVER, WATER INLET 4	1	
14	90110-05039-00	BOLT, HEXAGON SOCKET HEAD	1	
15	69L-45371-00-00	TAB-TRIM	1	
16	90105-10M00-00	BOLT, FLANGE	1	
17	6D0-44367-00-00	DAMPER, WATER SEAL 3	1	
18	6D0-44362-01-00	TUBE, WATER 2	1	
19	6D0-44365-00-00	DAMPER, WATER SEAL 1	1	
20	6D0-44366-00-00	DAMPER, WATER SEAL 2	1	

CONTINUED ON NEXT FRAME >

LOWER CASING DRIVE 2



6BB2110-H310

Ref No.	Part Number	Description	Qty	Remarks
21	99999-03848-00	SPACER SET	1	
22	60X-45987-10-00	SPACER 1	1	
23	60X-45995-00-00	SPACER 3	1	
24	688-45997-01-00	SPACER 2	1	
25	92990-18200-00	WASHER	1	
26	90171-18M04-00	NUT, CASTLE	1	
27	91490-40030-00	PIN. COTTER	1	
28	6R4-45976-A0-00	PROPELLER (3X14-1/2"X15"-M)	1	UR
28	6R4-45978-A0-00	PROPELLER (3X15-1/4"X17"-M)	1	UR
28	6R4-45972-A0-00	PROPELLER (3X14-7/8"X21"-M)	1	UR
28	6R4-45974-A0-00	PROPELLER (3X14-1/2"X23"-M)	1	UR
28	6R4-45970-A1-00	PROPELLER (3X15-1/4"X19"-M)	1	UR
28	6G5-45974-03-98	PROPELLER (3X13-3/4"X19"-M2)	1	UR
28	61A-45978-00-98	PROPELLER (3X15"X17"-T)	1	UR
28	61A-45974-00-98	PROPELLER (3X14-1/2"X19"-T)	1	UR
28	6G5-45970-02-98	PROPELLER (3X15-1/4"X15"-M)	1	UR
28	6G5-45972-02-98	PROPELLER (3X13-3/4"X21"-M)	1	UR
28	6G5-45978-03-98	PROPELLER (3X13-3/4"X17"-M2)	1	UR
28	61A-45972-00-98	PROPELLER (3X14-1/2"X21"-T)	1	UR