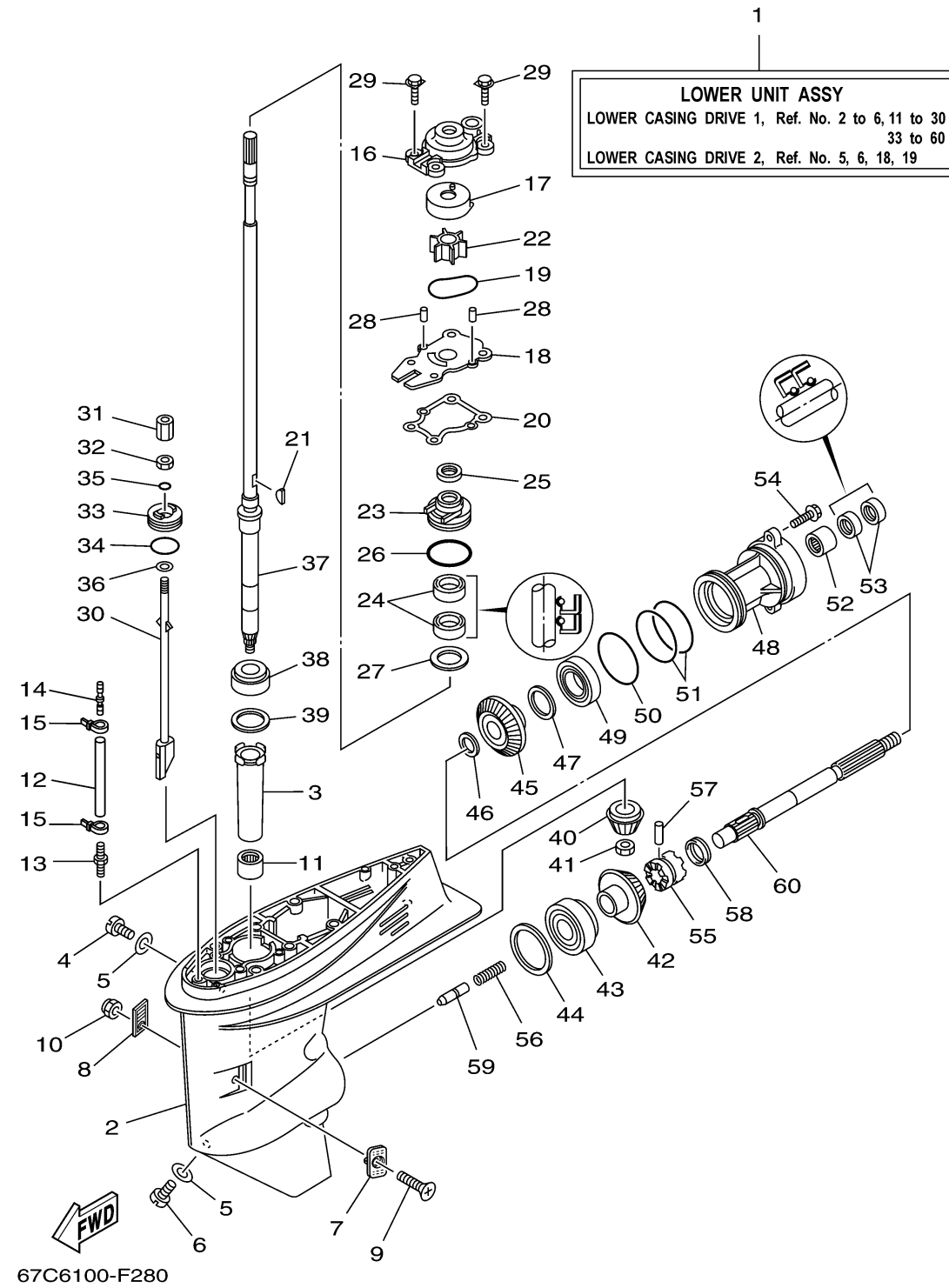


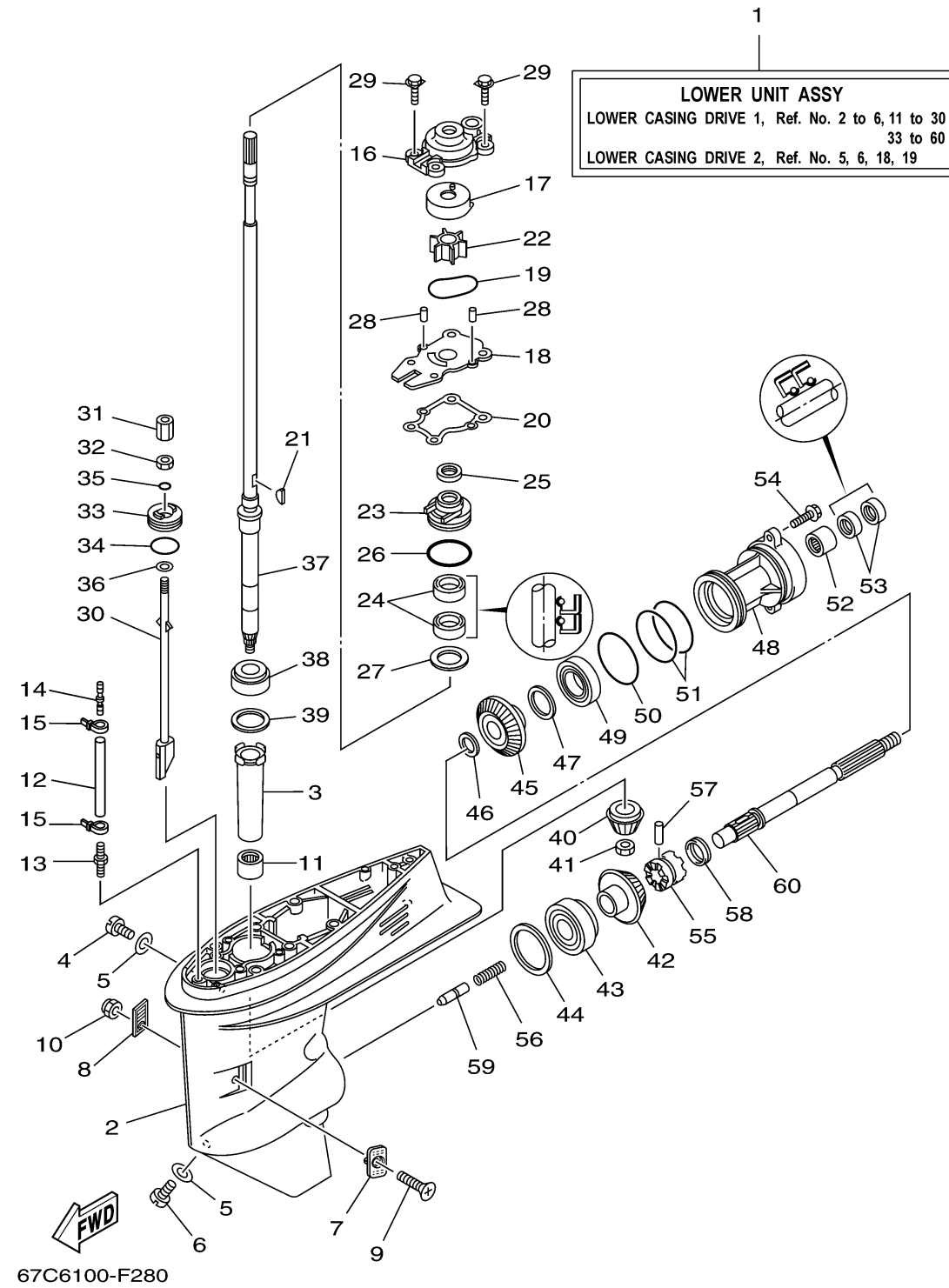
# LOWER CASING DRIVE 1



Ref No.	Part Number	Description	Qty	Remarks
1	67C-45300-11-4D	LOWER UNIT ASSY	1	L(21.0")
2	67C-45301-00-4D	CASING, LOWER	1	
3	6H4-45536-00-00	SLEEVE, DRIVE SHAFT	1	
4	90340-08002-00	PLUG, STRAIGHT SCREW	1	
5	90430-08020-00	GASKET	2	
6	688-45341-10-00	PLUG, DRAIN	1	
7	63D-45214-00-00	COVER, WATER INLET 1	1	
8	63D-45215-00-00	COVER, WATER INLET 2	1	
9	90142-05M06-00	SCREW, COUNTERSUNK	1	
10	95380-05600-00	NUT	1	
11	93315-32224-00	BEARING	1	
12	90445-07ME8-00	HOSE (L80)	1	
13	6E5-45378-00-00	NIPPLE, HOSE	1	
14	6E5-83558-10-00	END, NIPPLE	1	
15	90465-11M10-00	CLAMP	2	
16	66T-44311-00-00	HOUSING, WATER PUMP	1	
17	63D-44322-00-00	INSERT, CARTRIDGE	1	
18	66T-44323-00-00	.OUTER PLATE, CARTRIDGE	1	
19	93210-59MG7-00	O-RING	1	
20	63D-44316-00-00	GASKET, WATER PUMP	1	

CONTINUED ON NEXT FRAME >

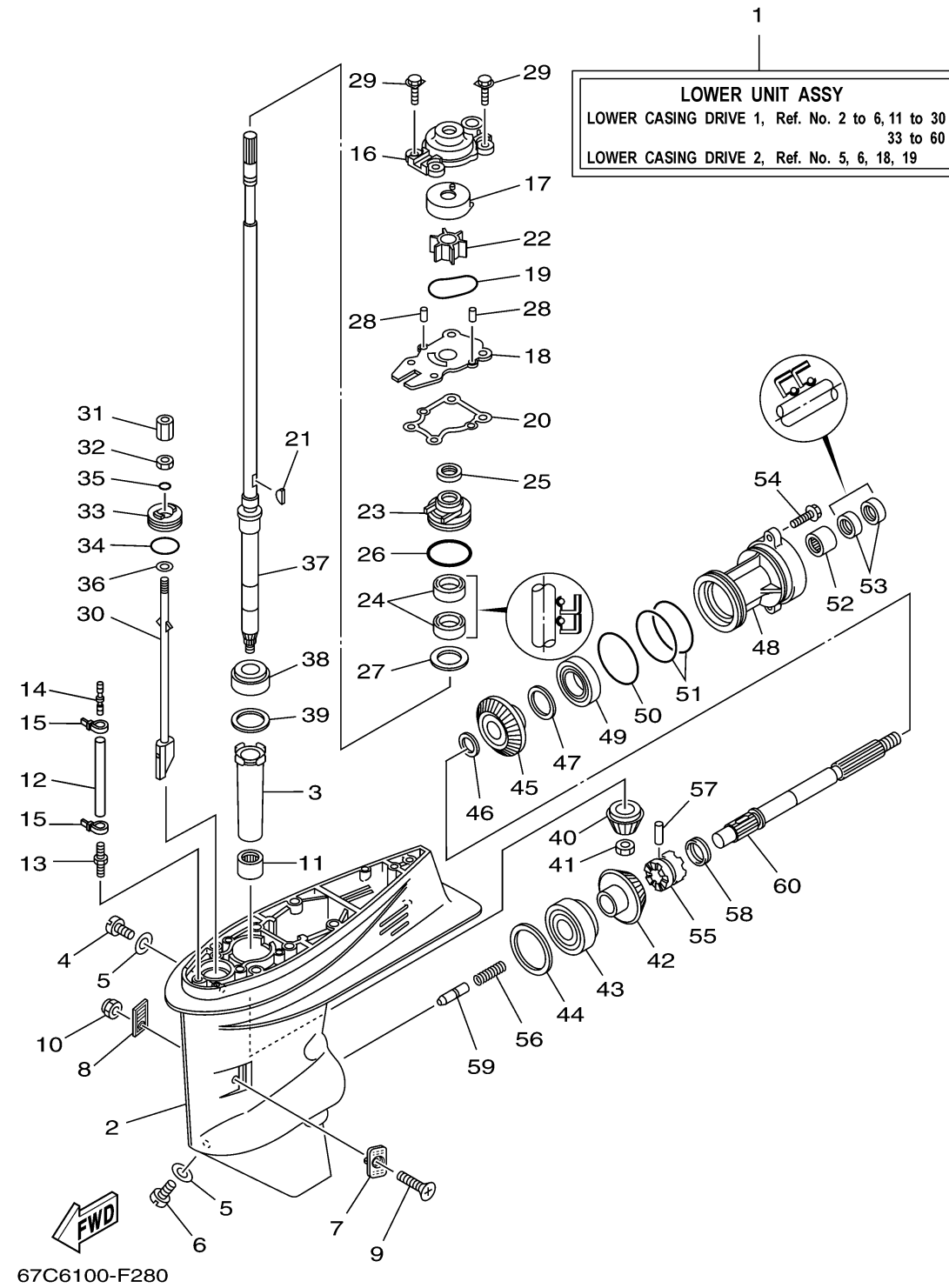
# LOWER CASING DRIVE 1



Ref No.	Part Number	Description	Qty	Remarks
21	90280-03M03-00	.KEY, WOODRUFF	1	
22	6H4-44352-02-00	.IMPELLER	1	
23	63D-44341-00-00	HOUSING, WATER PUMP	1	
24	93101-22M60-00	.OIL SEAL	2	
25	66T-45344-01-00	COVER, OIL SEAL	1	
26	93210-48MG8-00	O-RING	1	
27	90201-27M00-00	WASHER, PLATE	1	
28	93604-08062-00	PIN, DOWEL	2	
29	90119-08M15-00	BOLT, WITH WASHER	4	
30	67C-44150-10-00	SHIFT CAM ASSY	1	
31	67C-44146-00-00	CONNECTOR, SHIFT ROD	1	
32	95380-06700-00	NUT	1	
33	66T-45321-00-00	PLATE	1	
34	93210-33MG4-00	O-RING	1	
35	93210-06ME6-00	.O-RING	1	
36	92990-06600-00	.WASHER, PLATE	1	
37	67C-45501-10-00	DRIVE SHAFT COMP.	1	L(21.0")
38	93332-00001-00	BEARING	1	
39	663-45587-01-00	SHIM (T:0.10MM)	1	UR
39	663-45587-10-00	SHIM (T:0.12MM)	1	UR

CONTINUED ON NEXT FRAME >

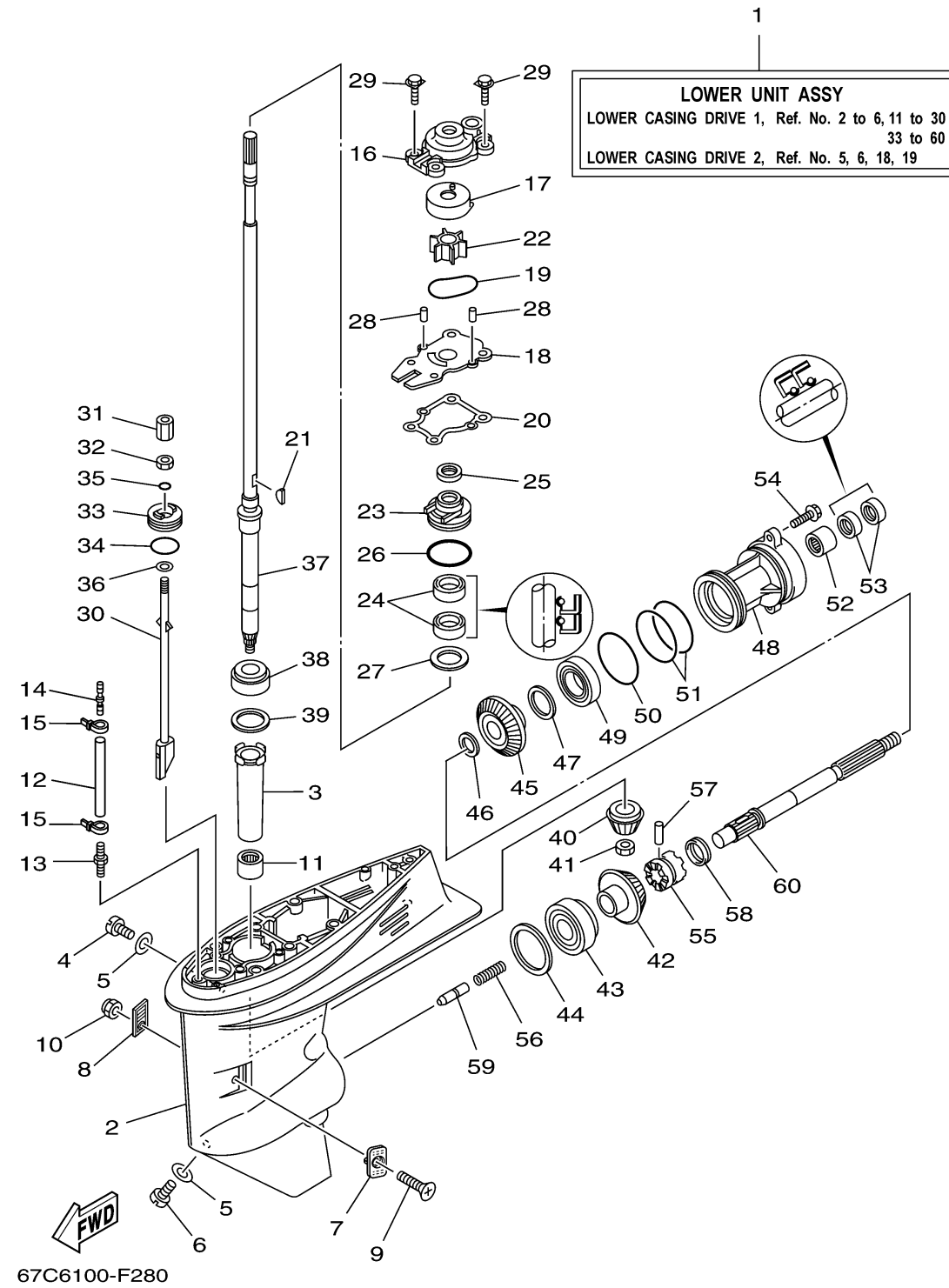
# LOWER CASING DRIVE 1



Ref No.	Part Number	Description	Qty	Remarks
39	663-45587-20-00	SHIM (T:0.15MM)	1	UR
39	663-45587-30-00	SHIM (T:0.18MM)	1	UR
39	663-45587-40-00	SHIM (T:0.30MM)	1	UR
39	663-45587-50-00	SHIM (T:0.40MM)	1	UR
39	663-45587-60-00	SHIM (T:0.50MM)	1	UR
40	66T-45551-00-00	PINION (13T)	1	
41	90170-12138-00	NUT	1	
42	66T-45560-01-00	GEAR 1 (26T)	1	
43	93332-00003-00	BEARING	1	
44	663-45567-01-00	SHIM (T:0.10MM)	1	UR
44	663-45567-10-00	SHIM (T:0.12MM)	1	UR
44	663-45567-20-00	SHIM (T:0.15MM)	1	UR
44	663-45567-30-00	SHIM (T:0.18MM)	1	UR
44	663-45567-40-00	SHIM (T:0.30MM)	1	UR
44	663-45567-50-00	SHIM (T:0.40MM)	1	UR
44	663-45567-60-00	SHIM (T:0.50MM)	1	UR
45	66T-45571-00-00	GEAR 2 (26T)	1	
46	90201-22429-00	WASHER, PLATE	1	
47	63D-45577-00-00	SHIM (T:0.10MM)	1	UR
47	63D-45577-10-00	SHIM (T:0.12MM)	1	UR

CONTINUED ON NEXT FRAME >

# LOWER CASING DRIVE 1



Ref No.	Part Number	Description	Qty	Remarks
47	63D-45577-20-00	SHIM (T:0.15MM)	1	UR
47	63D-45577-30-00	SHIM (T:0.18MM)	1	UR
47	63D-45577-40-00	SHIM (T:0.30MM)	1	UR
47	63D-45577-50-00	SHIM (T:0.40MM)	1	UR
47	63D-45577-60-00	SHIM (T:0.50MM)	1	UR
48	63D-45361-02-4D	CAP, LOWER CASING	1	
49	93306-001U1-00	BEARING	1	
50	93210-69MG6-00	O-RING	1	
51	93210-74MG5-00	O-RING	2	
52	93317-22204-00	BEARING	1	
53	93101-22M00-00	OIL SEAL	2	
54	90105-08M61-00	BOLT, FLANGE	2	
55	66T-45631-00-00	CLUTCH, DOG	1	
56	90501-18M01-00	SPRING, COMPRESSION	1	
57	90250-06023-00	PIN, STRAIGHT	1	
58	67C-45633-00-00	RING, CROSS PIN	1	
59	66T-45635-00-00	PLUNGER, SHIFT	1	
60	66T-45611-00-00	SHAFT, PROPELLER	1	