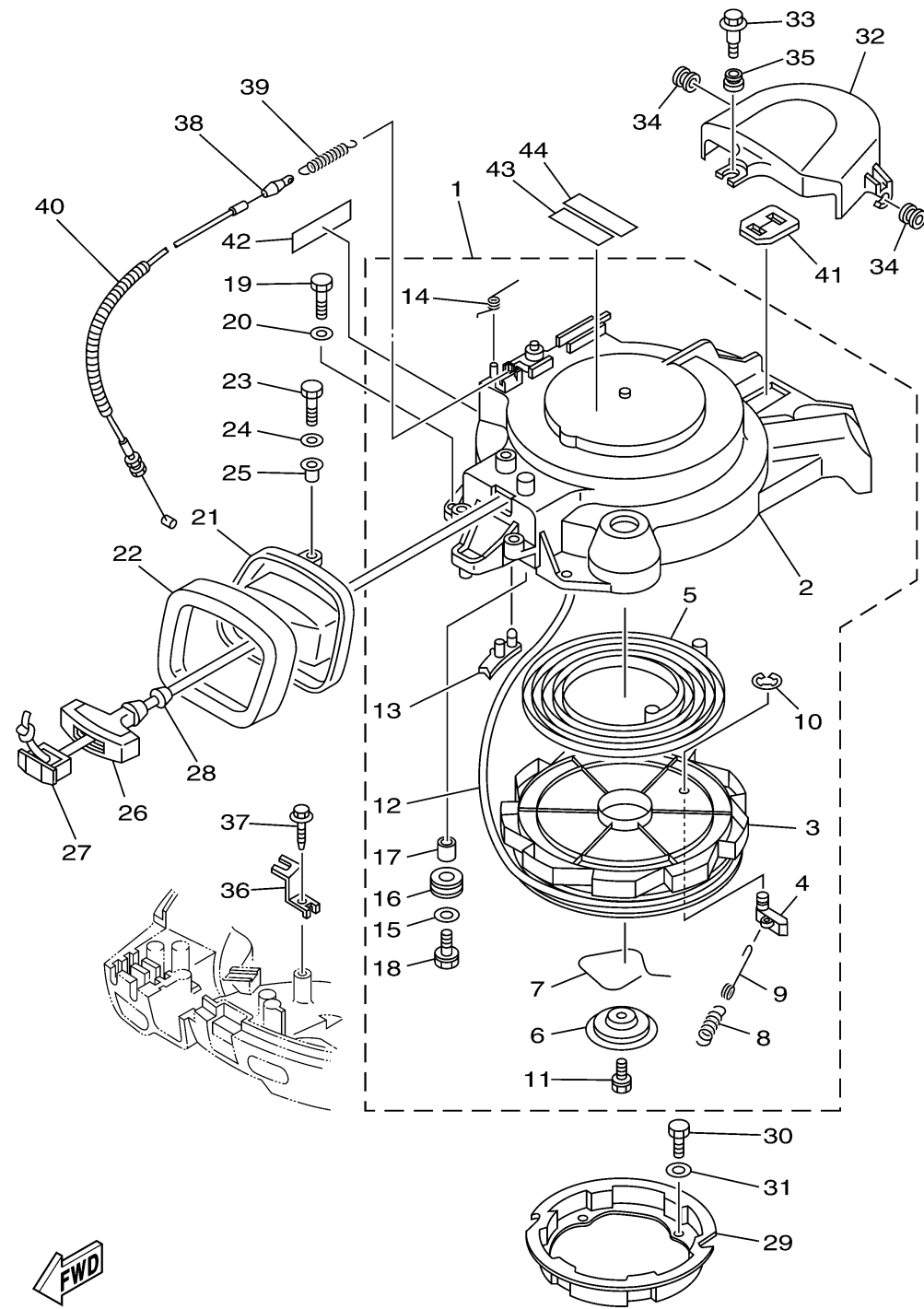




# STARTER

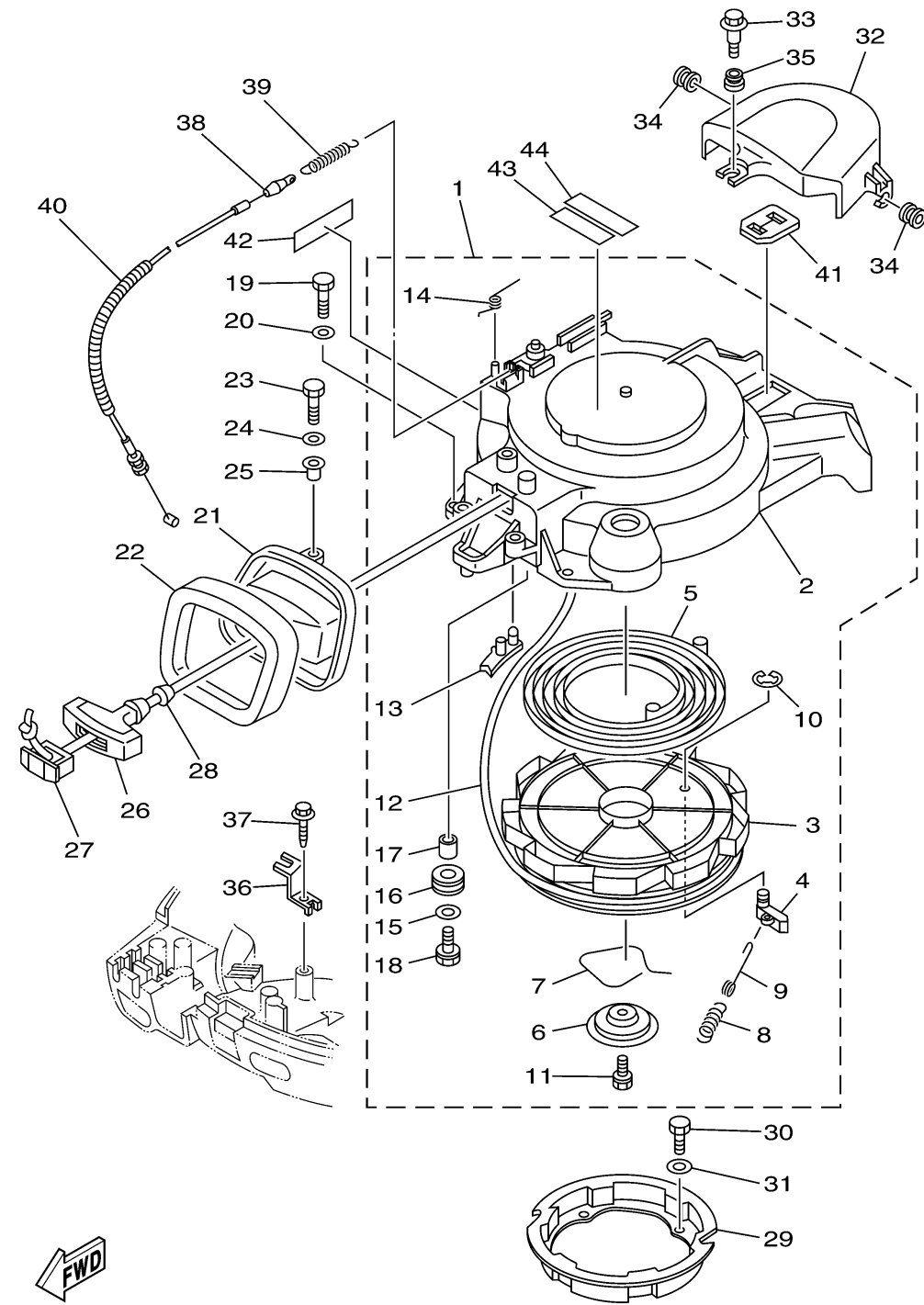


**FWD**  
67C7110-G110

Ref No.	Part Number	Description	Qty	Remarks
21	67C-15758-00-00	GUIDE, ROPE	1	
22	67C-15762-00-00	SEAL, RUBBER 2	1	
23	97095-06025-00	.BOLT	3	
24	92995-06600-00	WASHER	3	
25	90387-06M89-00	COLLAR	3	
26	689-15755-01-00	HANDLE, STARTER	1	
27	6F5-15779-02-00	COVER	1	
28	6A0-15789-00-00	DAMPER	1	
29	67C-15723-00-00	PULLEY, STARTER	1	
30	97095-06010-00	BOLT	4	
31	92995-06600-00	WASHER	4	
32	67C-46297-00-00	COVER, DUST	1	
33	90109-06MA1-00	BOLT	1	
34	90480-10M16-00	.GROMMET	2	
35	90480-12072-00	GROMMET	1	
36	66M-15774-00-00	STAY 4	1	
37	90109-06M86-00	.BOLT	1	
38	67C-15770-00-00	CABLE COMP., STARTER STOP	1	
39	66T-15731-00-00	SPRING, RETURN	1	
40	90446-10M86-00	HOSE (L140)	1	

CONTINUED ON NEXT FRAME >

# STARTER



  
67C7110-G110

Ref No.	Part Number	Description	Qty	Remarks
41	65W-81639-10-00	PLATE, ARMATURE FITTING	1	
42	62Y-13437-42-00	MARK, CAUTION	1	
43	6AH-81995-40-00	LABEL, WARNING	1	
44	6AH-81994-40-00	LABEL, SAFETY	1	