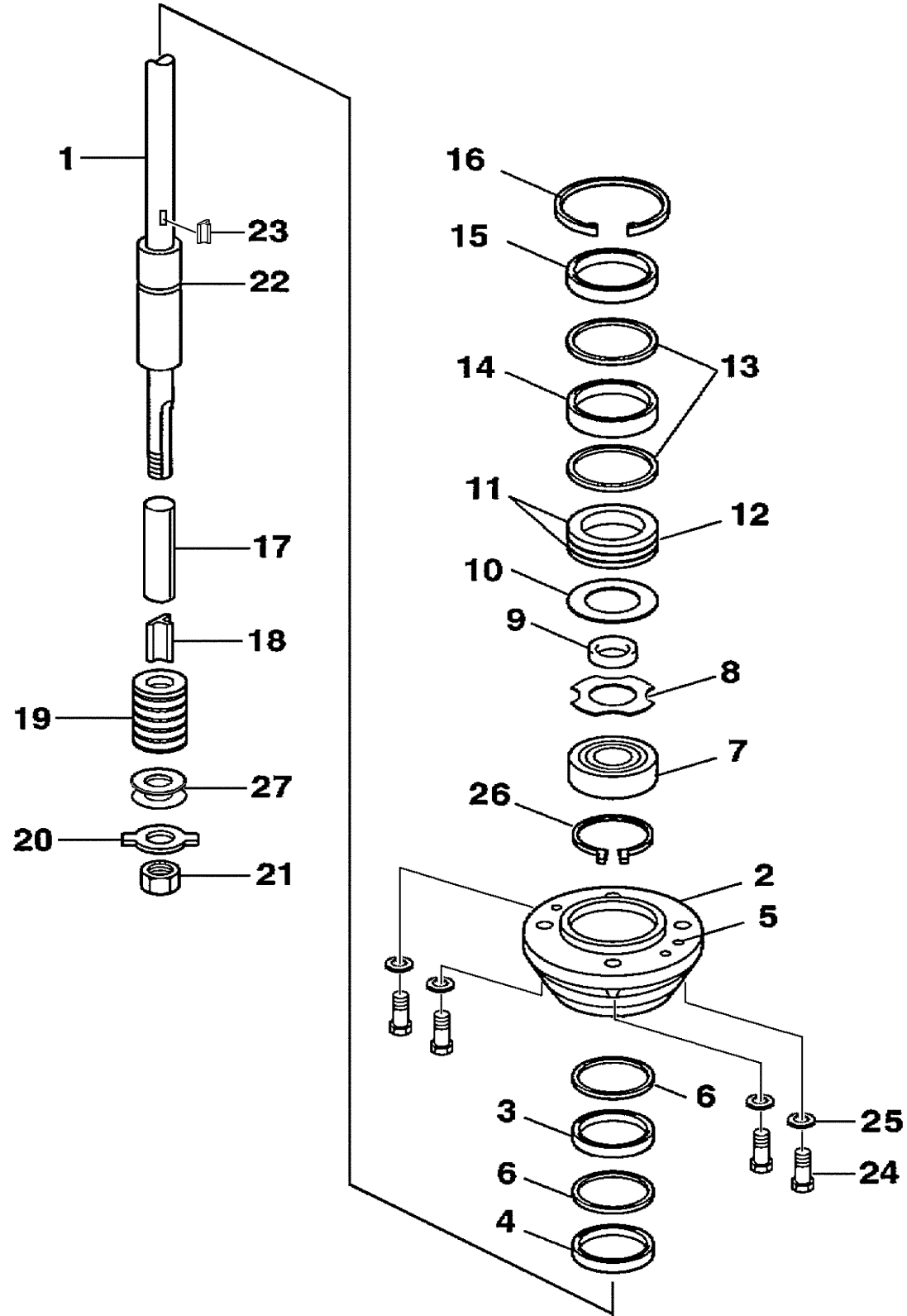


DRIVE 1 F40J

| Ref No. | Part Number | Description | Qty | Remarks |
|---------|-----------------|------------------------|-----|--------------------------|
| 1 | 67C-JD016-44-00 | DRIVESHAFT ASSEMBLY | 1 | INCLUDES BEARING CARRIER |
| 1 | 67C-JC016-43-00 | DRIVESHAFT ONLY | 1 | |
| 2 | 63D-JD001-38-00 | BEARING CARRIER | 1 | INCLUDES SEALS & O-RINGS |
| 3 | 6H4-JD005-06-00 | . SHAFT SEAL (N472324) | 1 | N472324 |
| 4 | 6H4-JD005-07-00 | . SHAFT SEAL (N6324S) | 1 | N6324S |
| 5 | 6H4-JD005-21-00 | . O-RING | 3 | |
| 6 | 6H4-JD005-17-00 | . RETAINING RING | 2 | |
| 7 | 6H4-JD005-04-00 | BEARING, SINGLE ROW | 1 | |
| 8 | 6H4-JD008-32-00 | THRUST WASHER | 1 | |
| 9 | 6H4-JD004-77-00 | COLLAR, BACKFIT | 1 | |
| 10 | 6H4-JD008-33-00 | SPACER | 1 | |
| 11 | 6H4-JD004-33-00 | SEAL CARRIER | 1 | INCLUDES O-RINGS |
| 12 | 6H4-JD005-26-00 | . O-RING | 2 | |
| 13 | 6H4-JD005-17-00 | RETAINING RING | 2 | |
| 14 | 6H4-JD005-06-00 | SHAFT SEAL (N472324) | 1 | N472324 |
| 15 | 6H4-JD005-07-00 | SHAFT SEAL (N6324S) | 1 | N6324S |
| 16 | 6H4-JD005-12-00 | RETAINING RING | 1 | |
| 17 | 6H4-JD000-36-00 | SHAFT SLEEVE, IMPELLER | 1 | |
| 18 | 63D-JD017-05-00 | KEY, IMPELLER TEE | 1 | 1/2" ROUND |
| 19 | 6H4-JD000-21-00 | SHIM WASHER | 8 | |



CONTINUED ON NEXT FRAME >

DRIVE 1 F40J

| Ref No. | Part Number | Description | Qty | Remarks |
|---------|-----------------|---------------------------|-----|---------------|
| 20 | 6H4-JD008-05-00 | NUT, KEEPER | 1 | |
| 21 | 6H4-JD000-22-10 | NUT, DRIVESHAFT FLAT | 1 | |
| 22 | 6H4-JD000-41-00 | SHAFT BEARING THRUST RING | 1 | |
| 23 | 6H4-JD000-12-75 | TEE KEY, DRIVESHAFT | 1 | |
| 24 | 6H4-JD005-73-00 | BOLT | 4 | 1/4-20 X 3/4" |
| 25 | 6H4-JD006-38-00 | WASHER, SPRING LOCK | 4 | 1/4" |
| 26 | 6H4-JD005-11-00 | RETAINING RING | 1 | |
| 27 | 63D-JD017-18-00 | TORSIONAL DAMPER KIT | 1 | 5/8" |

