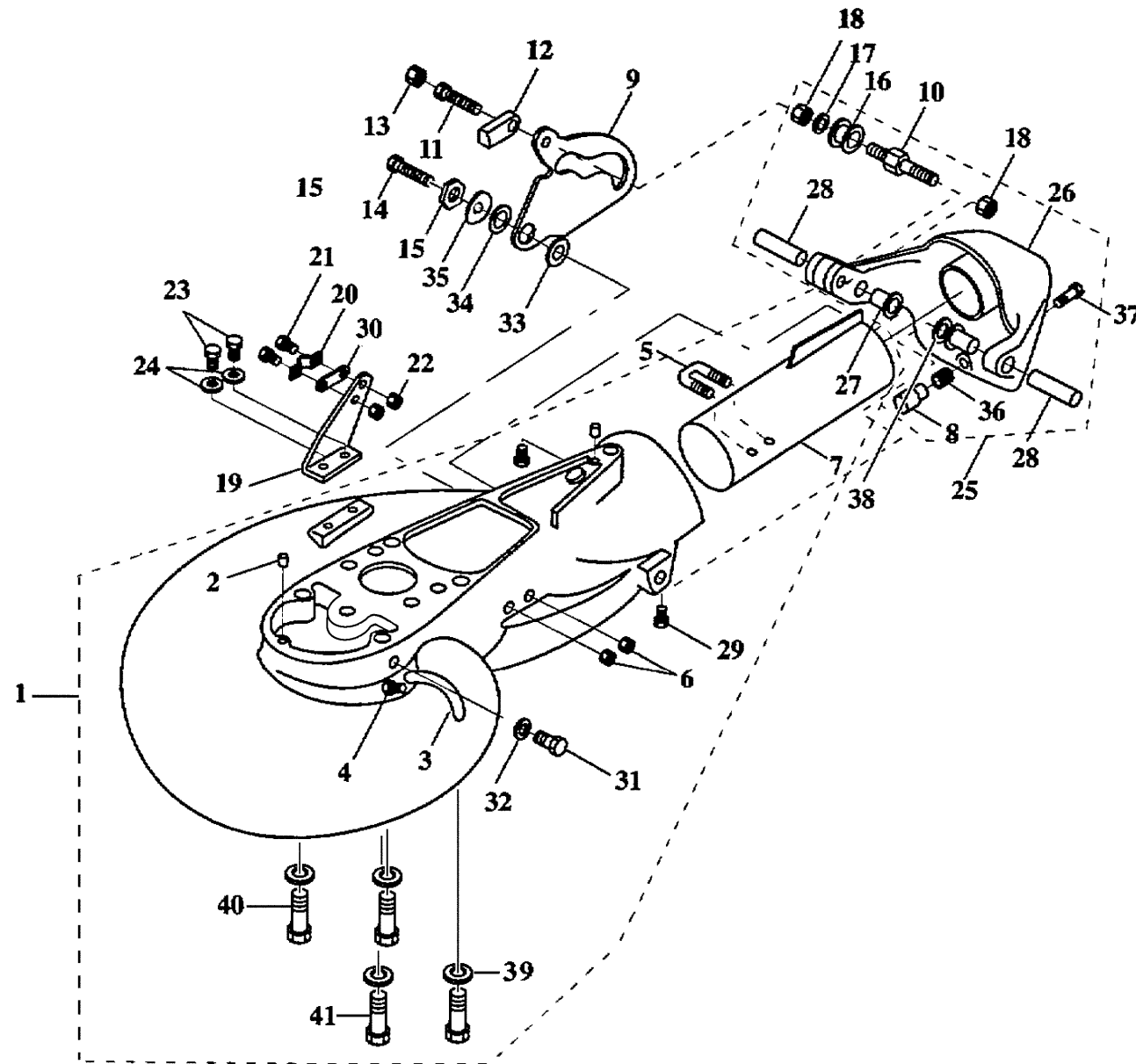


MAIN HOUSING F40J

Ref No.	Part Number	Description	Qty	Remarks
1	63D-JD001-36-90	MAIN HOUSING	1	INCLUDES EXHAUST TUBE
2	6H4-JD006-31-00	DOWEL PIN	2	3/16" X 1/2"
3	6H4-JD009-75-00	GREASE HOSE	1	
4	6H4-JD005-39-00	GREASE FITTING	1	
5	6H4-JD006-46-00	U-BOLT	1	
6	6H4-JD006-21-00	NUT, NYLOC	1	10 - 32
7	6H4-JD000-80-00	EXHAUST TUBE	1	
8	6H4-JD001-16-90	GATE BUMPER	1	
9	6H4-JD001-03-50	SHIFT CAM, MEDIUM	1	
10	6H4-JD001-04-30	SHAFT, ROLLER	1	
11	6H1-JD005-73-00	BOLT	1	1/4" - 20 X 3/4
12	63D-JD005-53-02	BALL END	1	
13	6H4-JD006-23-00	NYLOC	1	1/4" X 20
14	6H4-JD005-74-10	BOLT, HEX HEAD NYLOC	1	1/4" - 20 X 3/4"
15	6H4-JD001-03-60	CAM, ECCENTRIC DRILLED	1	
16	6H4-JD001-40-20	SHAFT, ROLLER	1	
17	6H4-JD006-35-00	WASHER, PLAIN	1	1/4"
18	6H4-JD006-24-00	NUT, FIBER LOCK	2	1/4" - 28
19	6H4-JD001-56-00	BRACKET, CABLE SUPPORT	1	
20	6H4-JD005-43-00	CABLE CLAMP	1	

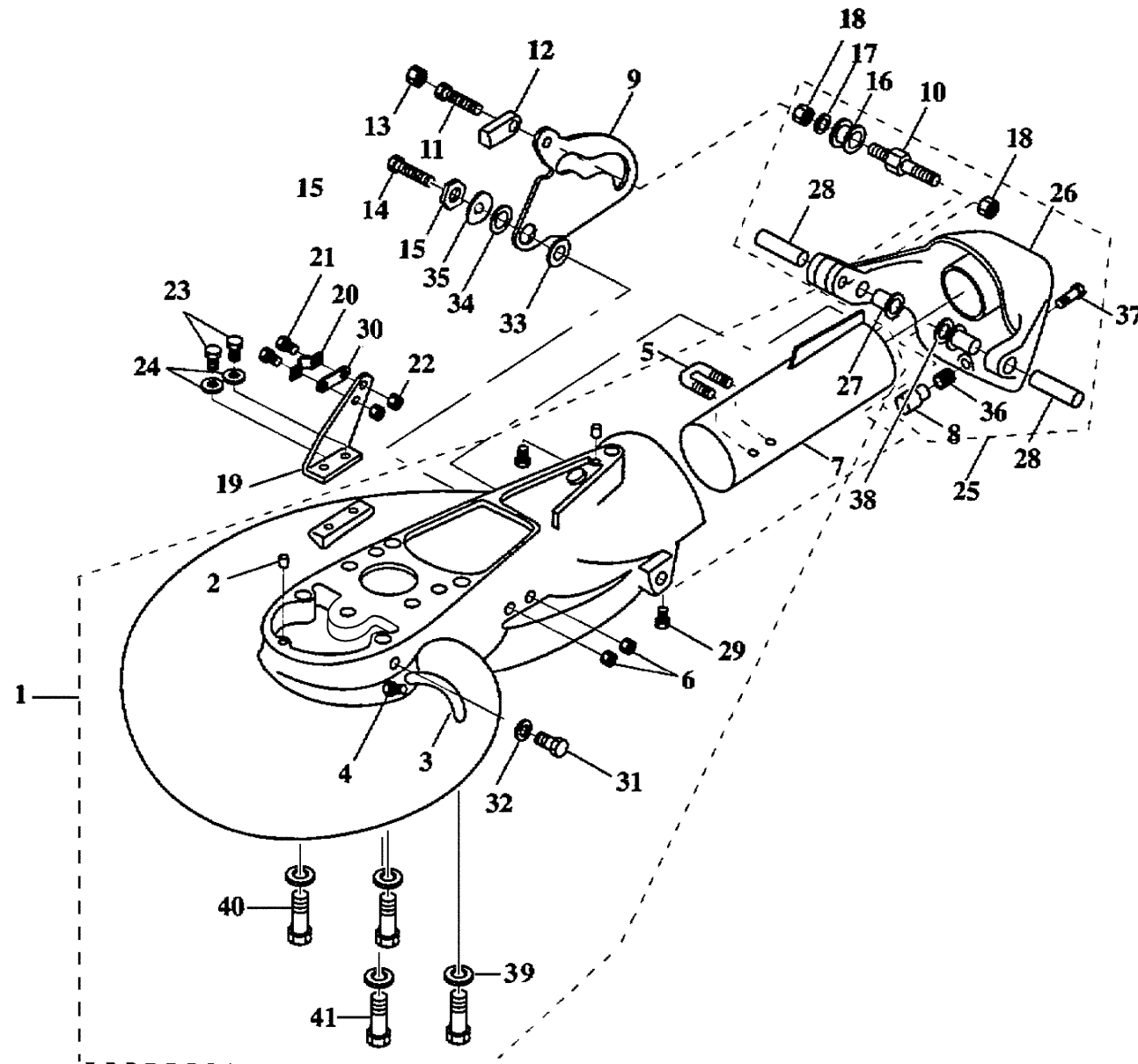
CONTINUED ON NEXT FRAME >



MAIN HOUSING F40J

Ref No.	Part Number	Description	Qty	Remarks
21	6H4-JD005-61-00	SCREW	2	#10 - 24 X 5/8"
22	6H4-JD006-19-00	NUT, FIBER LOCK	2	#10 - 24
23	6H4-JD005-72-00	BOLT	2	1/4" - 20 X 5/8"
24	6H4-JD006-35-00	WASHER, PLAIN	1	1/4"
25	6H4-JD001-17-60	GATE ASSY. MED CAM	1	
26	6H4-JD011-75-01	REVERSE GATE, MEDIUM	1	
27	6H4-JD005-35-00	NYLON SLEEVE	2	
28	6H4-JD008-22-00	PIN, REVERSE PIVOT	2	
29	6H4-JD005-74-00	BOLT	2	
30	6H4-JD005-42-00	SHIM	1	
31	6H4-JD001-02-40	FLUSH SCREW	1	
32	6H4-JD00102-50	WASHER, FIBER M8	1	
33	6H4-JD001-30-70	BUSHING, CAM	1	
34	6H4-JD001-30-80	WASHER, CAM	1	
35	6H4-JD001-03-90	SHIM, CAM	2	
36	6H4-JD001-17-00	SPRING, GATE BUMPER	1	
37	67C-JD005-59-02	SCREW, NYLOC	1	10 - 32 X 1-1/4"
38	6H4-JD001-17-70	WASHER, SPRING	1	
39	6H4-JD006-40-00	WASHER, SPRING LOCK	4	5/16"
40	6H1-JD006-03-00	BOLT	2	5/16" - 18 X 2-1/2"

CONTINUED ON NEXT FRAME >



MAIN HOUSING F40J

Ref No.	Part Number	Description	Qty	Remarks
41	6H4-JD005-99-00	BOLT, HEX HEAD	2	

