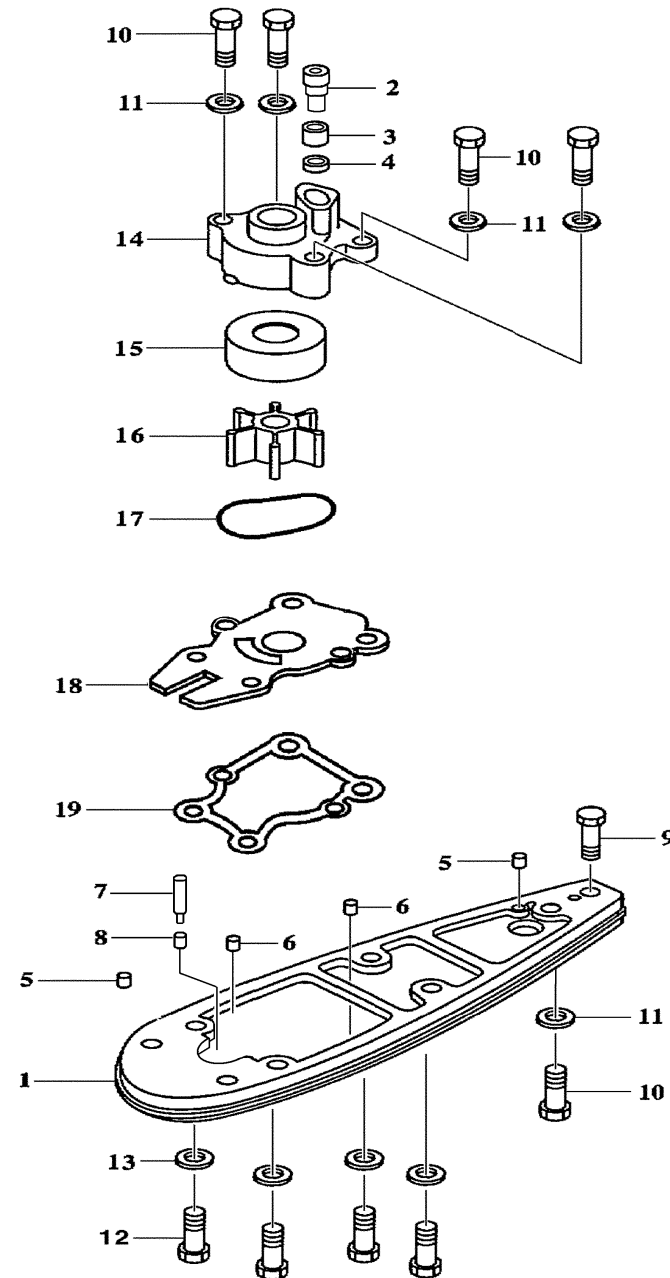


WATER PUMP ADAPTER F40J



Ref No.	Part Number	Description	Qty	Remarks
1	63D-JD001-36-60	ADAPTER PLATE (AJ)	1	
2	63D-JD001-37-70	EXTENSION, WATER TUBE	1	
3	663-44366-00-00	DAMPER, WATER SEAL 2	1	
4	67C-JD016-49-00	SPACER, WATER TUBE	1	
5	6H4-JD006-16-00	DOWEL PIN	2	
6	93604-08062-00	PIN, DOWEL	2	
7	63D-JD002-04-20	SHIFT ROD GIUIDE AJ-43 EFI	1	
8	67C-JD016-50-00	CUSHION, SHIFT ROD GUIDE	1	
9	6H4-JD006-07-00	BOLT	1	3/8" X 1-1/4"
10	6H4-JD005-91-00	BOLT	5	8 X 30MM
11	6H4-JD006-40-00	WASHER, SPRING LOCK	5	5/16"
12	6H4-JD005-92-00	BOLT	4	10 X 35MM
13	6H4-JD006-36-00	WASHER, LOCK M10	4	
14	67C-44311-10-00	HOUSING, WATER PUMP	1	
15	63D-44322-00-00	.INSERT, CARTRIDGE	1	
16	6H4-44352-02-00	.IMPELLER	1	
17	93210-59MG7-00	.O-RING	1	
18	66T-44323-00-00	.OUTER PLATE, CARTRIDGE	1	
19	63D-44316-00-00	.GASKET, WATER PUMP	1	