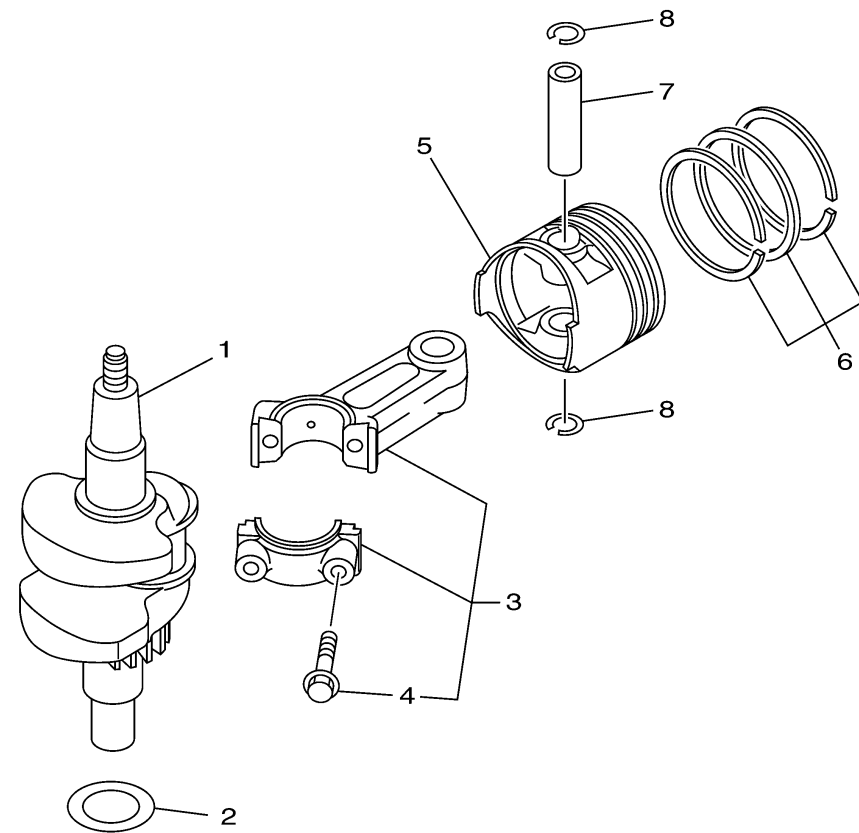


# CRANKSHAFT PISTON



Ref No.	Part Number	Description	Qty	Remarks
1	67D-11400-00-00	CRANKSHAFT ASSY	1	
2	90201-266P2-00	WASHER, PLATE	1	
3	67D-11650-00-00	CONNECTING ROD ASSY	1	
4	67D-11654-00-00	. .BOLT, CONNECTING ROD	2	
5	68D-E1631-00-96	PISTON (STD)	1	
5	68D-E1635-00-00	PISTON (0.25MM O/S)	1	AP
5	68D-E1636-00-00	PISTON (0.50MM O/S)	1	AP
6	68D-E1603-00-00	PISTON RING SET (STD)	1	
6	68D-E1604-00-00	PISTON RING SET (0.25MM O/S)	1	AP
6	68D-E1605-00-00	PISTON RING SET (0.50MM O/S)	1	AP
7	68D-E1633-00-00	PIN, PISTON	1	
8	93450-14088-00	CIRCLIP	2	



67D0010-8030