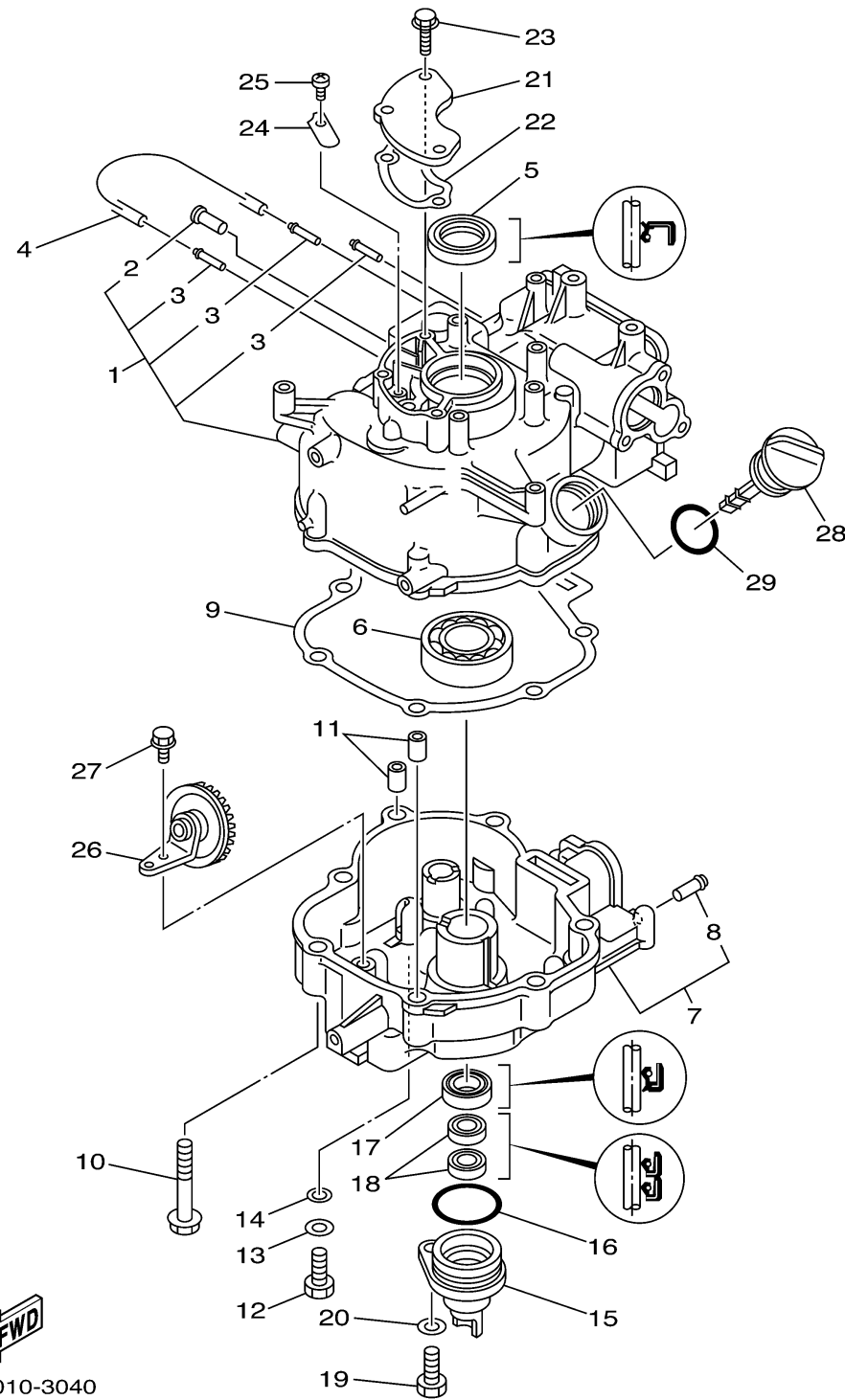


## CYLINDER CRANKCASE 2



68D3010-3040

Ref No.	Part Number	Description	Qty	Remarks
1	68D-E1311-02-1S	CYLINDER 1	1	
2	650-24378-00-00	. .PIPE, JOINT 4	1	
3	6H1-14485-00-00	. .PIPE, JOINT	3	
4	90445-07806-00	HOSE (L167)	1	
5	93102-25090-00	.OIL SEAL	1	
6	93306-205YD-00	BEARING	1	
7	68D-E5111-00-1S	CRANKCASE 1	1	
8	650-24378-00-00	. .PIPE, JOINT 4	1	
9	68D-11351-A0-00	.GASKET, CYLINDER	1	
10	97575-08550-00	BOLT, WITH WASHER	7	
11	99510-10114-00	PIN, DOWEL	2	
12	97095-08020-00	BOLT	1	
13	92995-08600-00	WASHER	1	
14	90201-08818-00	WASHER, PLATE	1	
15	68D-E5396-00-5B	HOUSING, OIL SEAL	1	
16	93210-35537-00	O-RING	1	
17	93102-20108-00	OIL SEAL	1	
18	93102-10004-00	.OIL SEAL	2	
19	97095-08020-00	BOLT	1	
20	92995-08600-00	WASHER	1	

CONTINUED ON NEXT FRAME >

## CYLINDER CRANKCASE 2

Ref No.	Part Number	Description	Qty	Remarks
21	68D-E1168-00-00	COVER, BREATHER	1	
22	68D-E1169-A0-00	.GASKET, BREATHER COVER	1	
23	90119-06M80-00	BOLT, WITH WASHER	3	
24	68D-E5346-00-00	BREATHER 1	1	
25	98503-04006-00	SCREW, PAN HEAD	1	
26	68D-E3102-00-00	GEAR UNIT ASSY	1	
27	95817-06012-00	BOLT, FLANGE	1	
28	68D-E5362-00-00	PLUG, OIL LEVEL	1	
29	93210-24M79-00	.O-RING	1	

