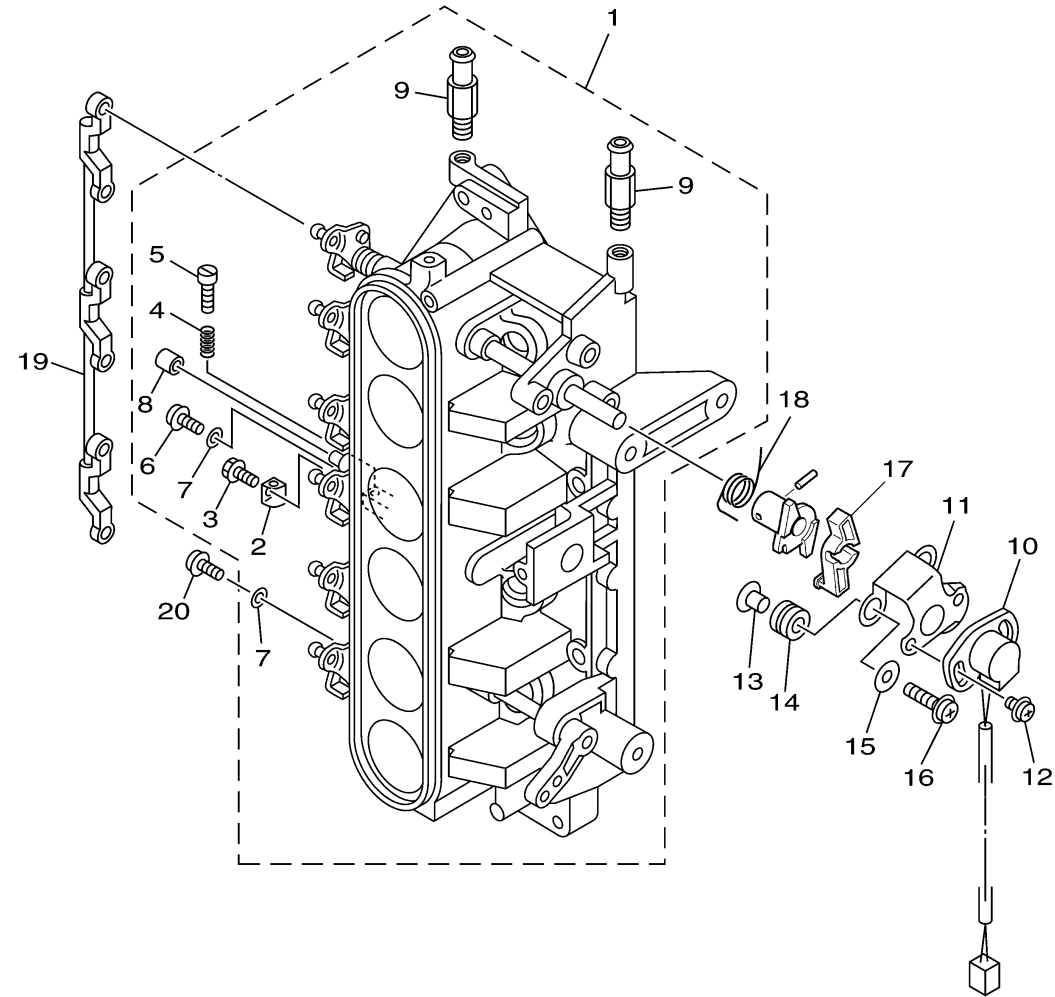


# VAPOR SEPARATOR 2



Ref No.	Part Number	Description	Qty	Remarks
1	68F-13751-01-00	BODY, THROTTLE 1	1	
2	65L-14527-00-00	. .PLATE	1	
3	65L-14565-00-00	. .SCREW	1	
4	65L-14334-00-00	. .SPRING, AIR ADJUSTING	1	
5	65L-14523-00-00	. .SCREW, STOP	1	
6	6K5-14592-00-00	. .SCREW	1	
7	90201-05552-00	. .WASHER, PLATE	6	
8	65L-14578-00-00	. .COLLAR	1	
9	68F-13568-00-00	. .STUD	2	
10	61A-85885-00-00	THROTTLE SENSOR ASSY	1	
11	6K7-85886-01-00	BRACKET	1	
12	97985-05212-00	SCREW, WITH WASHER	2	
13	90387-05M00-00	COLLAR	3	
14	90480-10M23-00	GROMMET	3	
15	68F-14596-00-00	WASHER	3	
16	97985-05330-00	SCREW, WITH WASHER	3	
17	65L-14573-00-00	LEVER	1	
18	65L-14579-00-00	SPRING	1	
19	65L-41217-00-00	ROD, ACCEL. LEVER	1	
20	6D0-14592-00-00	. .SCREW	5	



68F5100-E080  
Rev. 4-12-2012