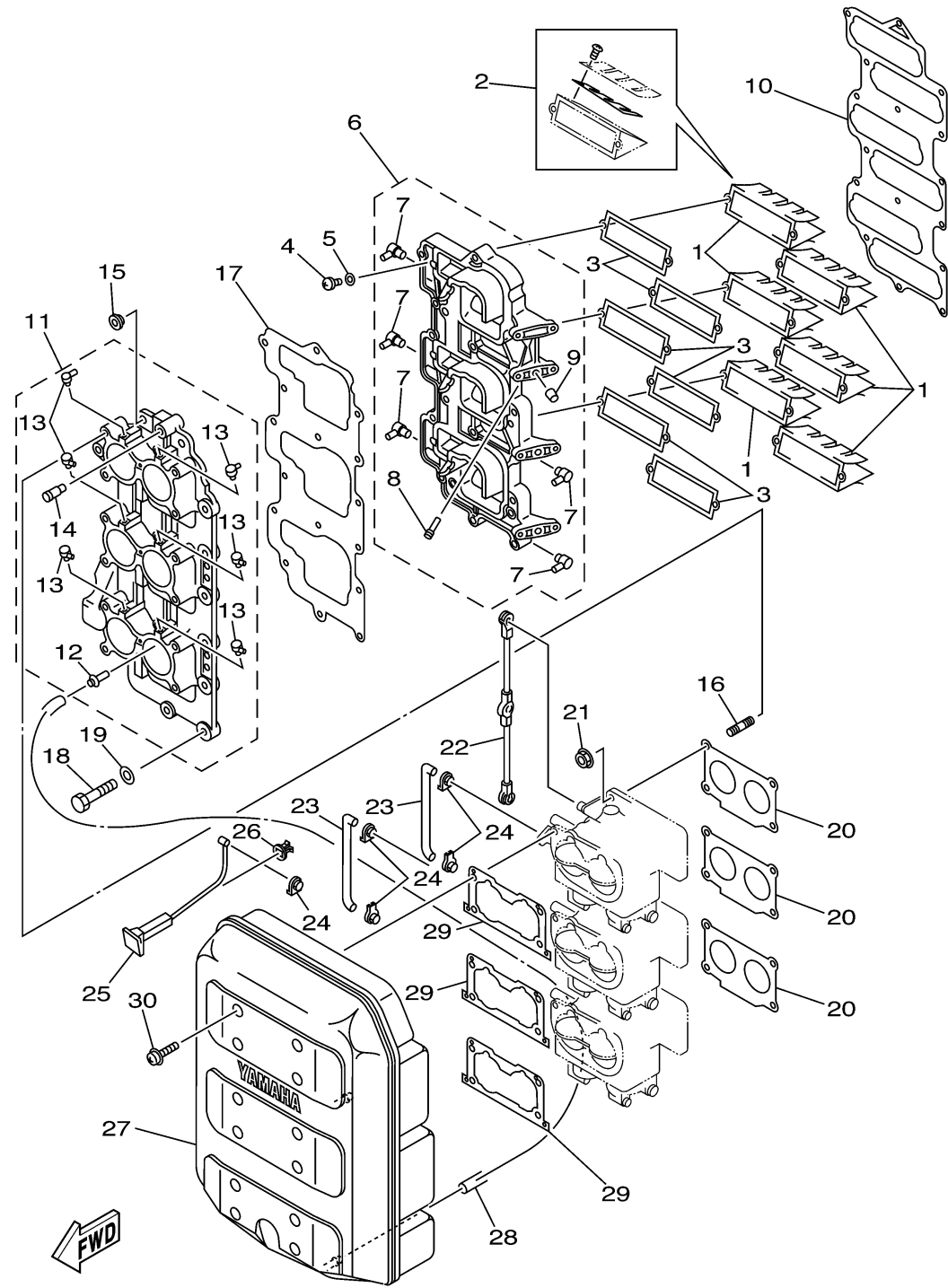


INTAKE

Ref No.	Part Number	Description	Qty	Remarks
1	6K7-13610-00-00	REED VALVE ASSY	6	
2	6E5-W0004-00-00	. .REED SET	1	
3	6K7-13621-A1-00	.GASKET, VALVE SEAT	6	
4	97880-05016-00	SCREW, PAN HEAD	12	
5	92990-05600-00	WASHER, PLATE	12	
6	64E-13624-00-1S	PLATE, REED VALVE	1	
7	688-11372-01-00	. .NIPPLE, HOSE	5	
8	6R5-14485-00-00	. .PIPE, JOINT	1	
9	90336-08M06-00	. .PLUG, TAPER	1	
10	6K7-13646-A2-00	.GASKET, MANIFOLD 2	1	
11	64E-13641-00-1S	MANIFOLD 1	1	
12	624-14485-00-00	. .PIPE, JOINT	1	
13	6E5-13552-01-00	. .NOZZLE	6	
14	6K7-81338-01-00	. .CLAMP, LEAD	1	
15	90480-10M28-00	GROMMET	6	
16	90116-06M30-00	BOLT, STUD	12	
17	64E-13645-A0-00	.GASKET, MANIFOLD 1	1	
18	97013-06050-00	BOLT	16	
19	92903-06600-00	WASHER, PLATE	16	
20	6E5-14198-A2-00	.GASKET	3	

CONTINUED ON NEXT FRAME >



64K2100-3050

INTAKE

Ref No.	Part Number	Description	Qty	Remarks
21	90179-06M28-00	NUT	12	
22	6G5-41217-01-00	ROD, ACCEL. LEVER	1	
23	6E5-41256-01-00	ROD, CHOKE 1	2	
24	661-41262-02-00	JOINT, CHOKE LEVER	5	
25	61H-41271-10-00	KNOB, CHOKE	1	
26	689-41273-00-00	GROMMET	1	
27	64D-14440-00-00	SILENCER ASSY, INTAKE	1	
28	90445-07MA3-00	HOSE (L200)	1	
29	6K7-14483-00-00	GASKET	3	
30	90159-06M08-00	SCREW, WITH WASHER	12	

