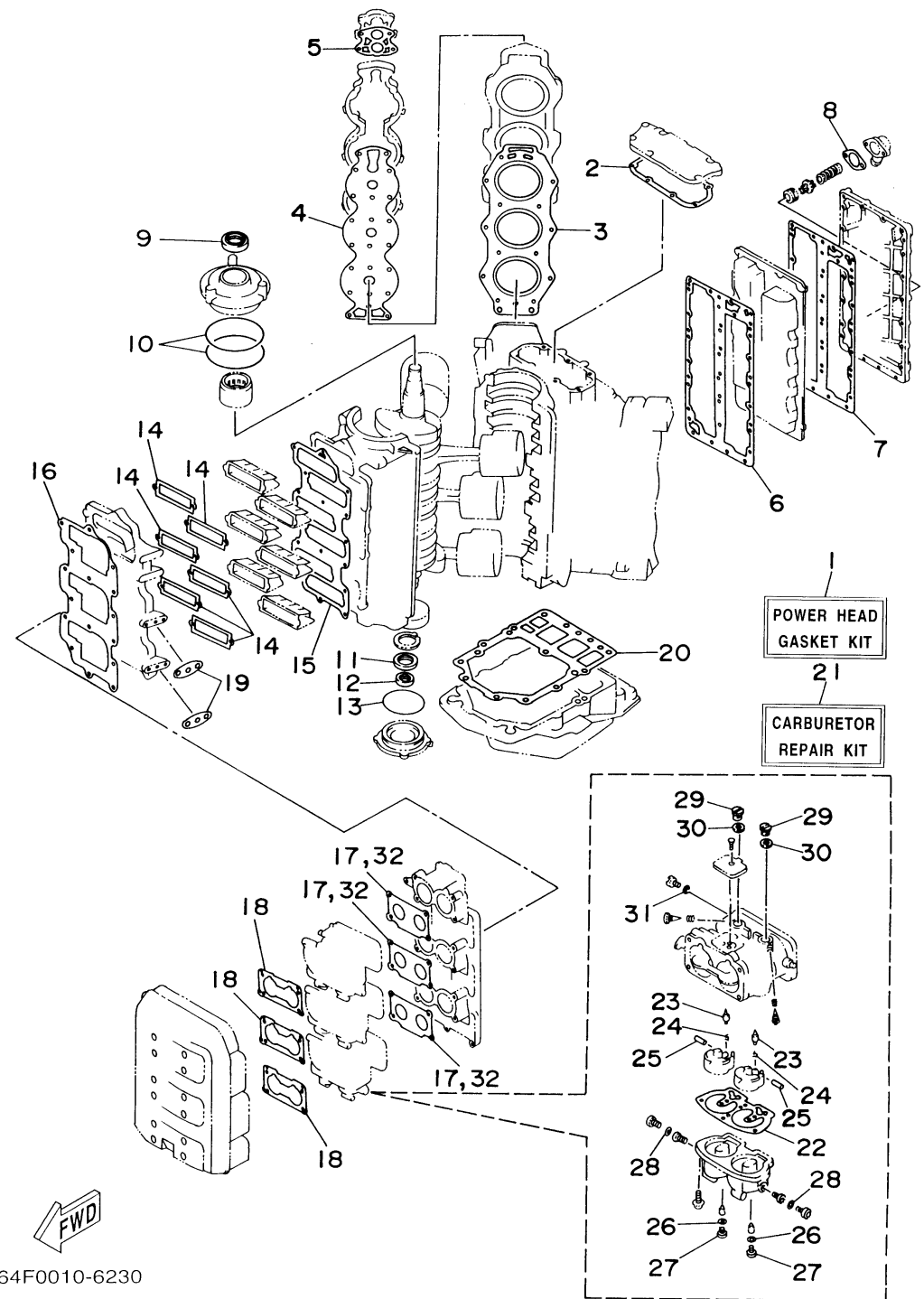


REPAIR KIT 1

| Ref No. | Part Number | Description | Qty | Remarks |
|---------|-----------------|-------------------------------|-----|---------|
| 1 | 64F-W0001-01-00 | POWER HEAD GASKET KIT | 1 | |
| 2 | 6E5-11381-A2-00 | ..GASKET 1 | 1 | |
| 3 | 6G5-11181-A2-00 | ..GASKET, CYLINDER HEAD 1 | 2 | |
| 4 | 6G5-11193-A1-00 | ..GASKET, HEAD COVER 1 | 2 | |
| 5 | 688-12414-A1-00 | ..GASKET, COVER | 2 | |
| 6 | 6G5-41112-A1-00 | ..GASKET, EXHAUST INNER COVER | 1 | |
| 7 | 6G5-41114-A0-00 | ..GASKET, EXHAUST OUTER COVER | 1 | |
| 8 | 6G5-11382-A1-00 | ..GASKET 2 | 1 | |
| 9 | 93102-40M14-00 | ..OIL SEAL | 1 | |
| 10 | 93211-04001-00 | ..O-RING | 2 | |
| 11 | 93102-35M13-00 | ..OIL SEAL | 1 | |
| 12 | 93101-22M15-00 | ..OIL SEAL | 1 | |
| 13 | 93210-74M35-00 | ..O-RING | 1 | |
| 14 | 6K7-13621-A1-00 | ..GASKET, VALVE SEAT | 6 | |
| 15 | 6K7-13646-A2-00 | ..GASKET, MANIFOLD 2 | 1 | |
| 16 | 64E-13645-A0-00 | ..GASKET, MANIFOLD 1 | 1 | |
| 17 | 6E5-14198-A2-00 | ..GASKET | 3 | |
| 18 | 6K7-14483-00-00 | ..GASKET | 3 | |
| 19 | 650-24431-A0-00 | ..GASKET, FUEL PUMP 1 | 2 | |
| 20 | 68F-45113-00-00 | ..GASKET, UPPER CASING | 1 | |

CONTINUED ON NEXT FRAME >

64F0010-6230



REPAIR KIT 1

| Ref No. | Part Number | Description | Qty | Remarks |
|---------|-----------------|--------------------------|-----|---------|
| 21 | 64D-W0093-01-00 | CARBURETOR REPAIR KIT | 1 | |
| 22 | 64D-14384-01-00 | . .GASKET, FLOAT CHAMBER | 1 | |
| 23 | 6E5-14546-00-00 | . VALVE, NEEDLE | 2 | |
| 24 | 6E5-14159-00-00 | . .CLIP | 2 | |
| 25 | 6E5-14386-02-00 | . PIN, FLOAT | 2 | |
| 26 | 61U-14959-00-00 | . .GASKET | 2 | |
| 27 | 64D-14394-00-00 | . .VALVE, DRAIN | 2 | |
| 28 | 6E5-14398-01-00 | . GASKET | 2 | |
| 29 | 6E5-14328-01-00 | . .PLUG | 2 | |
| 30 | 6E5-14979-00-00 | . GASKET | 2 | |
| 31 | 6J8-14959-00-00 | . .GASKET | 1 | |
| 32 | 6E5-14198-A2-00 | . .GASKET | 1 | |

64F0010-6230