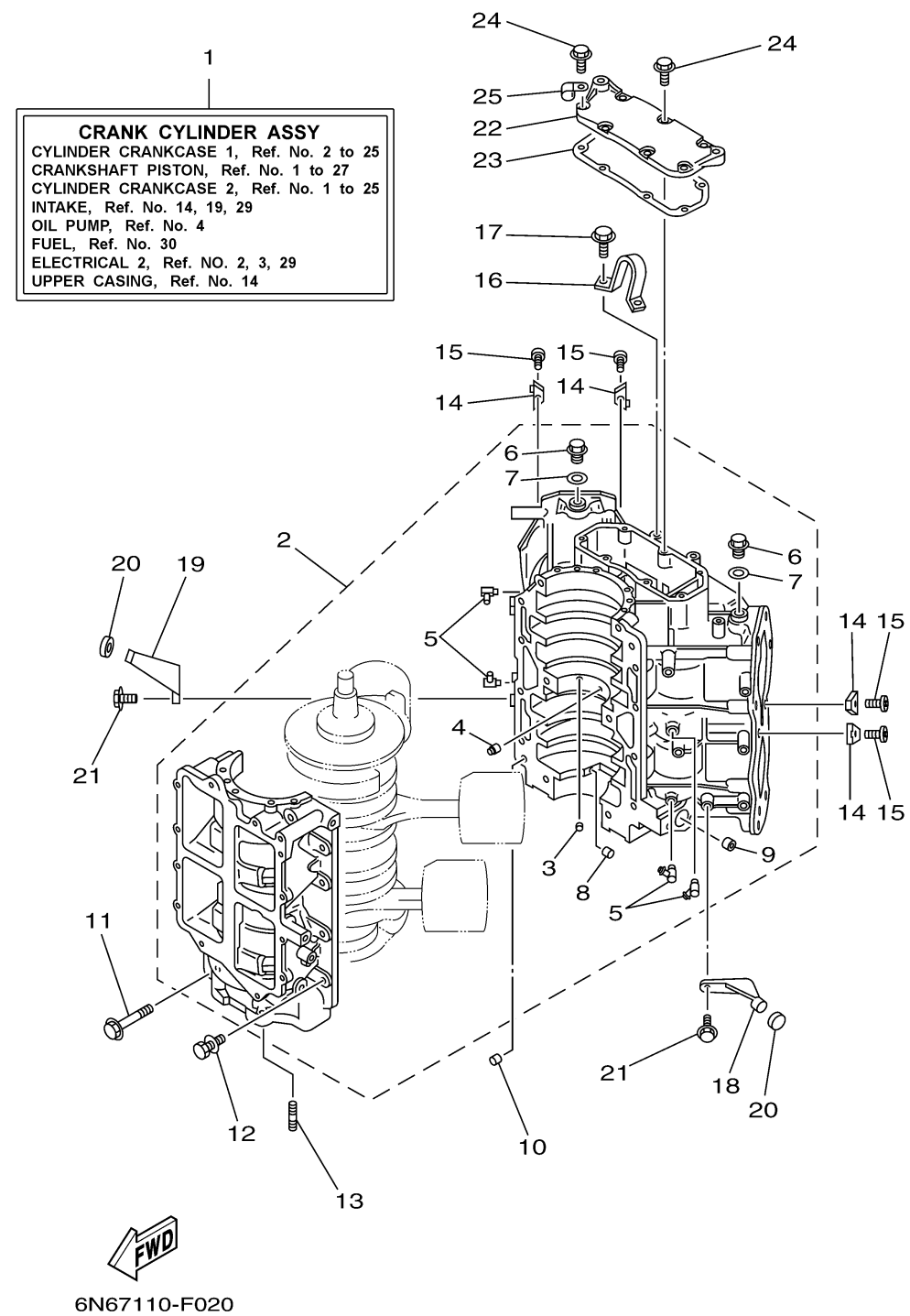


CYLINDER CRANKCASE 1

Ref No.	Part Number	Description	Qty	Remarks
1	6N6-W0090-18-1S	CRANK CYLINDER ASSY	1	
2	6N6-15100-10-1S	CRANKCASE ASSY	1	
3	624-11379-00-00	. VALVE, CHECK	1	
4	663-11518-01-00	. LOCK, BEARING	1	
5	6E5-11372-01-00	. NIPPLE, HOSE	4	
6	90340-14M00-00	. PLUG, STRAIGHT SCREW	2	
7	90430-14115-00	. GASKET	2	
8	90384-06M07-00	. BUSH, BIMETAL FORMED	1	
9	90384-14M09-00	. BUSH, BIMETAL FORMED	1	
10	93608-12063-00	PIN, DOWEL	2	
11	90105-10M20-00	BOLT, FLANGE	6	
12	90119-08M94-00	BOLT, WITH WASHER	8	
13	90116-08026-00	BOLT, STUD	2	
14	6E5-11325-00-00	ANODE	4	
15	98780-04015-00	SCREW, FLAT HEAD	4	
16	6E5-11119-01-00	HANGER, ENGINE	1	
17	90119-08MA3-00	BOLT, WITH WASHER	2	
18	6E5-42761-00-1S	STOPPER	1	
19	6E5-42762-00-1S	STOPPER	1	
20	68F-44533-01-00	DAMPER, UPPER MOUNT RUBBER	2	

CONTINUED ON NEXT FRAME >



CYLINDER CRANKCASE 1

Ref No.	Part Number	Description	Qty	Remarks
21	90119-06MA2-00	BOLT, WITH WASHER	4	
22	6K7-11371-01-1S	COVER	1	
23	6E5-11381-A2-00	.GASKET 1	1	
24	90119-06MA2-00	BOLT, WITH WASHER	7	
25	90465-06M86-00	CLAMP	1	