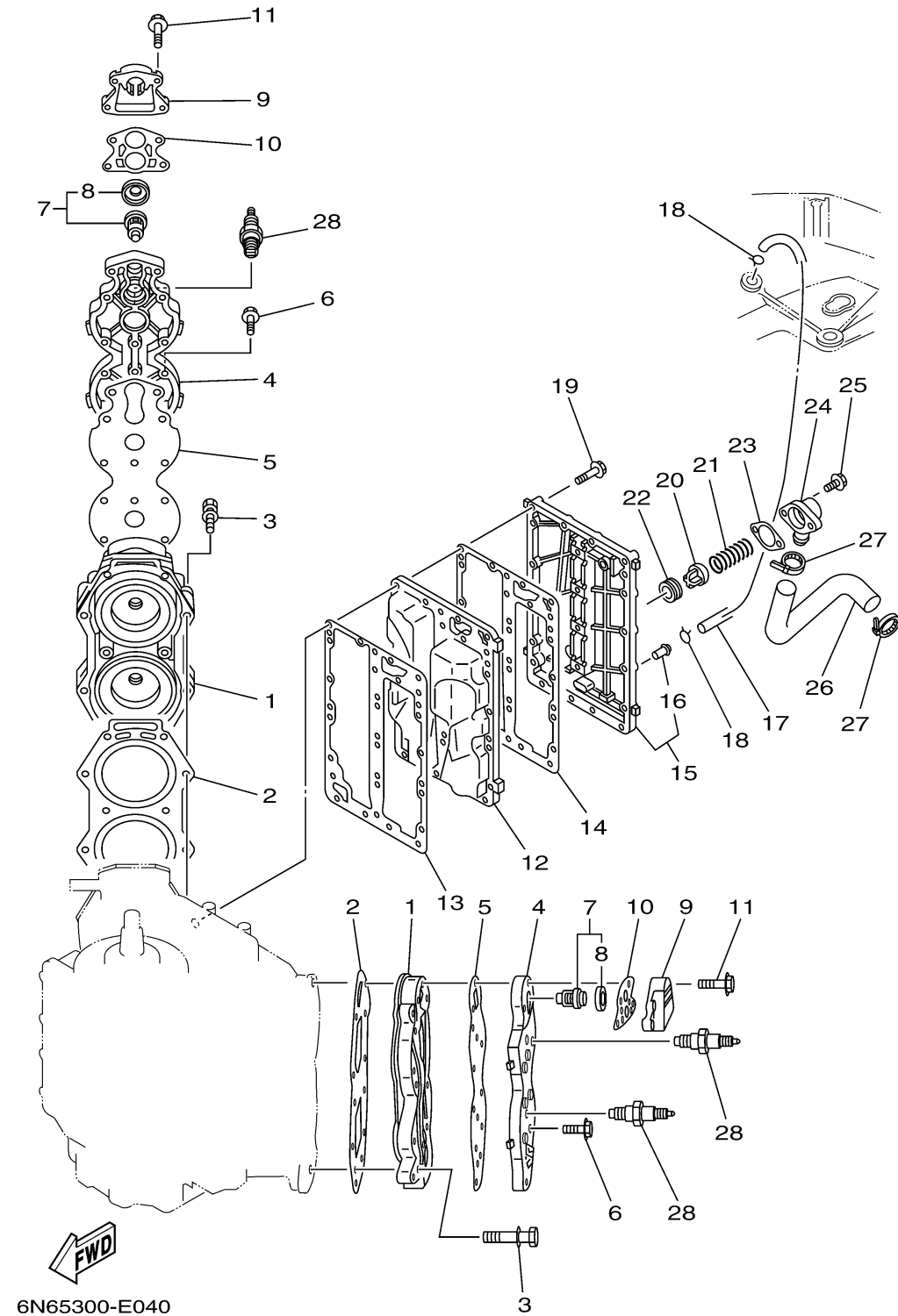


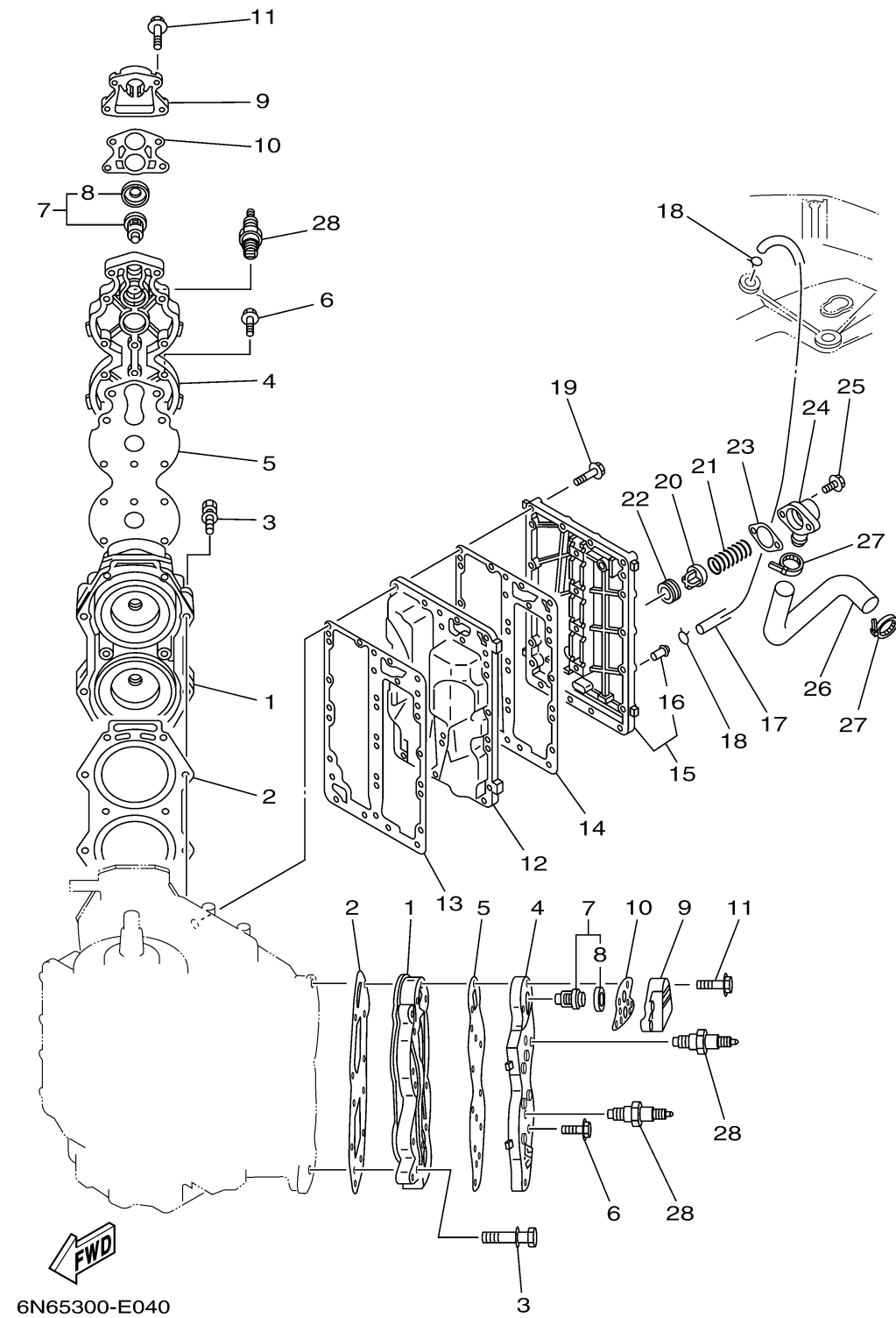
# CYLINDER CRANKCASE 2



Ref No.	Part Number	Description	Qty	Remarks
1	6E5-11111-10-1S	HEAD, CYLINDER 1	2	
2	6E5-11181-A2-00	.GASKET, CYLINDER HEAD 1	2	
3	90119-08MA8-00	BOLT, WITH WASHER	20	
4	6E5-11191-01-1S	COVER, CYLINDER HEAD 1	2	
5	6E5-11193-A0-00	.GASKET, HEAD COVER 1	2	
6	90119-06MA4-00	BOLT, WITH WASHER	24	
7	6E5-12411-30-00	THERMOSTAT	2	
8	688-12412-00-00	.SEAL, THERMOSTAT	1	
9	6G5-12413-00-1S	COVER, THERMOSTAT	2	
10	688-12414-A1-00	.GASKET, COVER	2	
11	90119-06MA6-00	BOLT, WITH WASHER	8	
12	6E5-41111-00-1S	INNER COVER, EXHAUST	1	
13	6E5-41112-A1-00	GASKET, EXHAUST INNER COVER	1	
14	6E5-41114-A0-00	GASKET, EXH.OUTR.CV	1	
15	6N7-41113-00-1S	OUTER COVER, EXHAUST	1	
16	650-24378-00-00	.PIPE, JOINT 4	1	
17	6E5-24312-00-00	PIPE 2	1	
18	90467-08004-00	CLIP	2	
19	90119-06MA5-00	BOLT, WITH WASHER	23	
20	60H-12416-00-00	VALVE, PRESSURE CONTROL	1	

CONTINUED ON NEXT FRAME >

# CYLINDER CRANKCASE 2



Ref No.	Part Number	Description	Qty	Remarks
21	90501-16M11-00	SPRING, COMPRESSION	1	
22	90480-20M05-00	GROMMET	1	
23	6G5-11382-A1-00	.GASKET 2	1	
24	6G5-11372-00-1S	COVER, BYPASS 2	1	
25	97595-06420-00	BOLT, WITH WASHER	2	
26	6E5-12576-00-00	HOSE 1	1	
27	90465-13M18-00	CLAMP	2	
28	NGK-BR8HS-10-00	PLUG, SPARK (NGK BR8HS-10)	4	