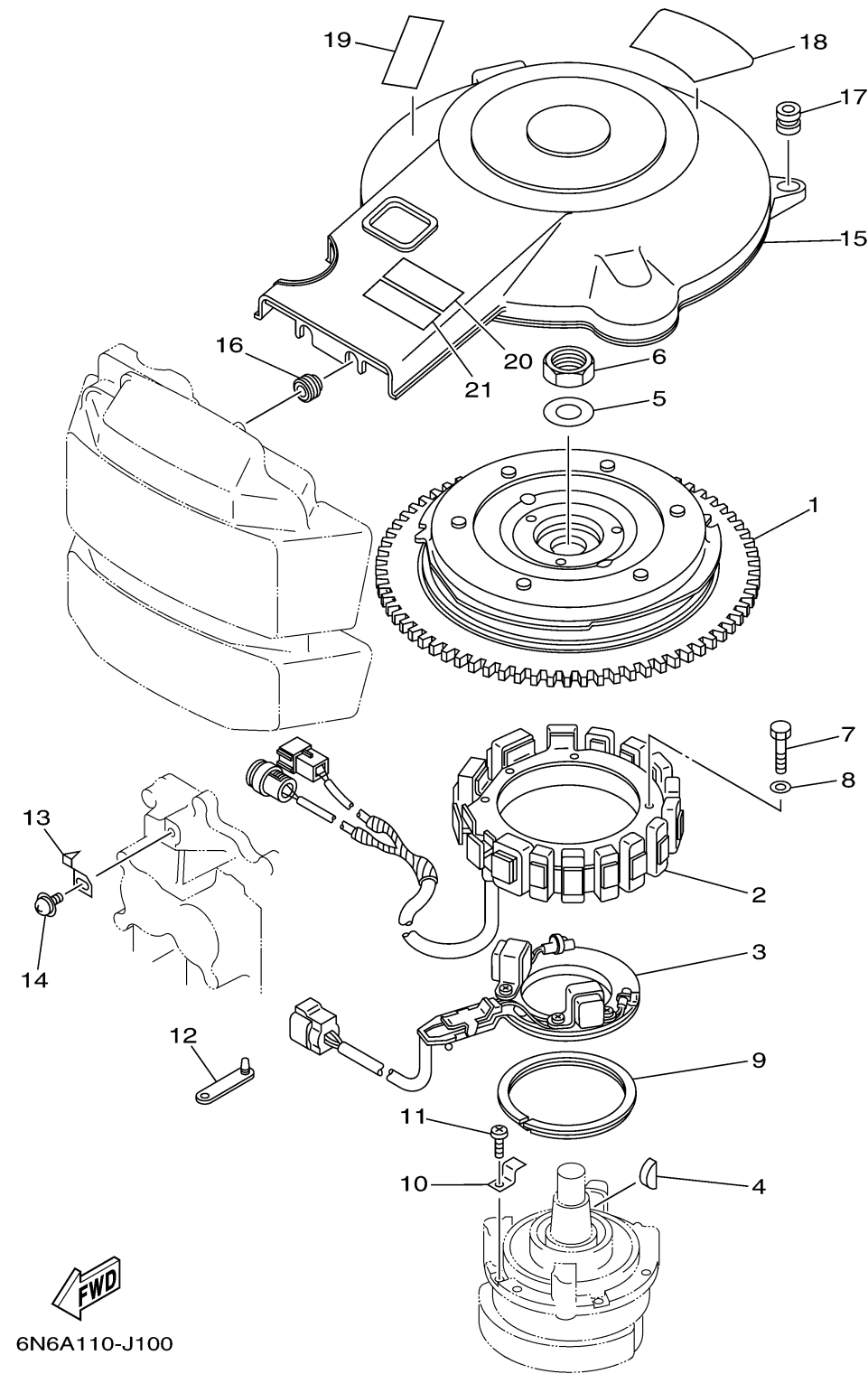


GENERATOR



Ref No.	Part Number	Description	Qty	Remarks
1	6N7-85550-01-00	ROTOR ASSY	1	
2	6N7-85510-00-00	STATOR ASSY	1	
3	6N7-85580-10-00	COIL, PULSER	1	
4	90280-05015-00	KEY, WOODRUFF	1	
5	90201-21M18-00	WASHER, PLATE	1	
6	90170-20137-00	NUT	1	
7	97013-06065-00	BOLT	4	
8	92903-06600-00	WASHER, PLATE	4	
9	688-41611-00-00	RETAINER, MAGNETO BASE	1	
10	688-41612-00-00	RETAINER, MAGNETO BASE	4	
11	97880-06018-00	SCREW, PAN HEAD	4	
12	90464-12M00-00	CLAMP	1	
13	6E5-81332-00-00	PLATE, TIMING	1	
14	97985-06210-00	SCREW, WITH WASHER	1	
15	6N7-81337-00-00	COVER, FLYWHEEL	1	
16	90480-12M11-00	GROMMET	2	
17	663-82317-01-00	DAMPER, IGNITION COIL	2	
18	6E5-14488-00-00	LABEL, CAUTION	1	
19	6AH-81994-40-00	LABEL, SAFETY	1	
20	6AH-81995-40-00	LABEL, WARNING	1	

CONTINUED ON NEXT FRAME >

GENERATOR

Ref No.	Part Number	Description	Qty	Remarks
21	6AG-81996-00-00	MARK	1	

