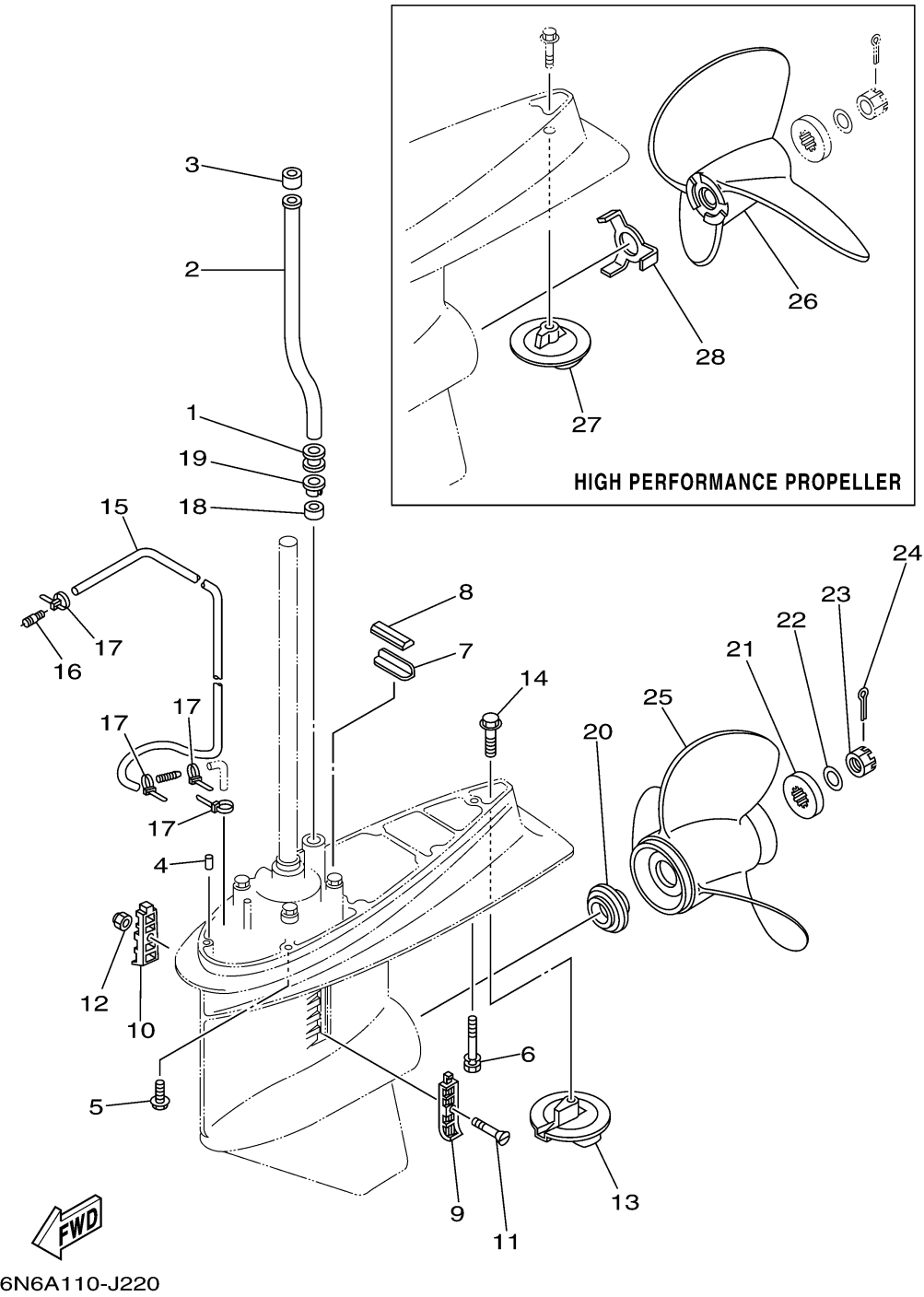


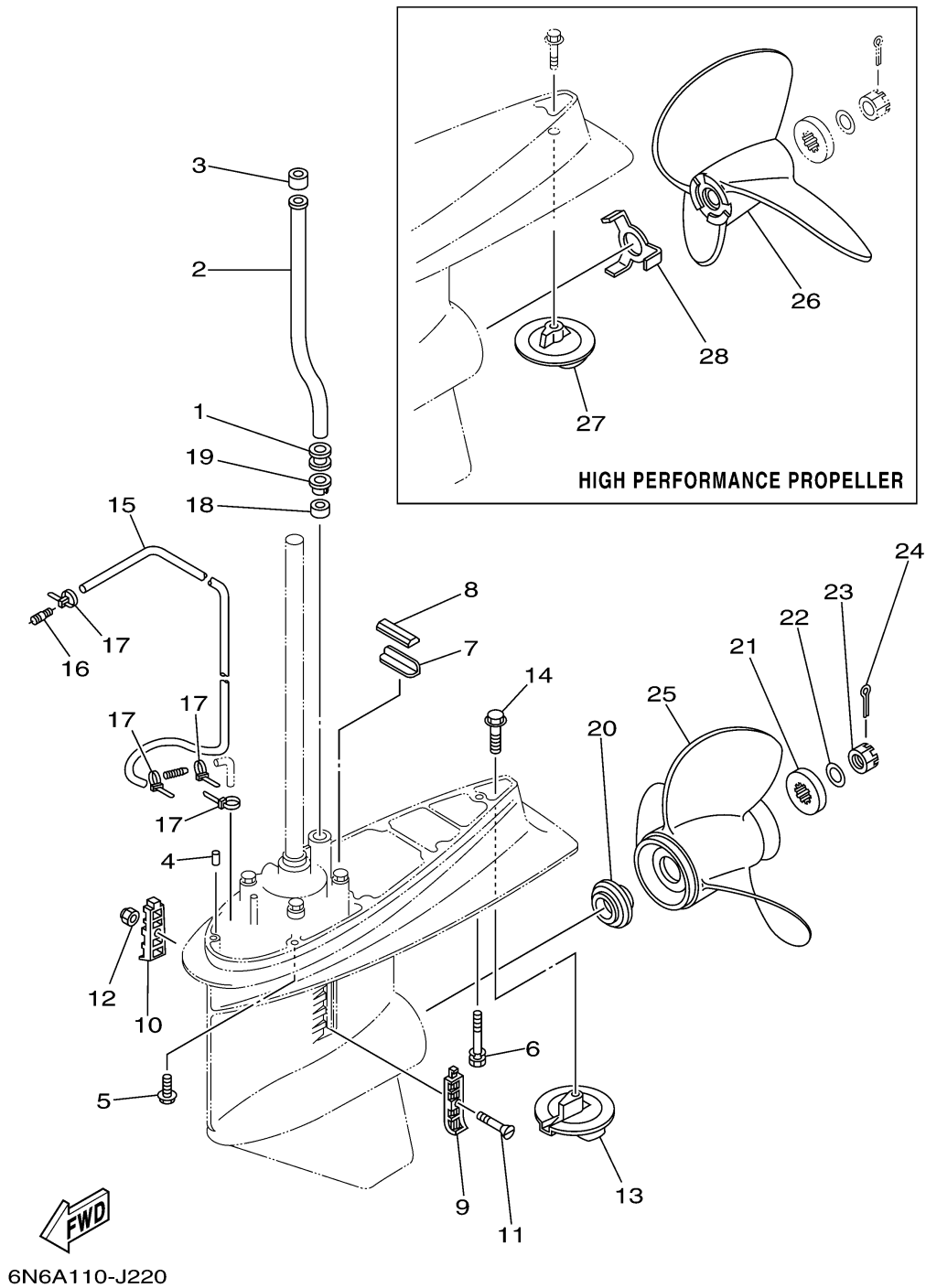
LOWER CASING DRIVE 2



Ref No.	Part Number	Description	Qty	Remarks
1	6E5-44366-00-00	.DAMPER, WATER SEAL 2	1	
2	6E5-44361-00-00	TUBE, WATER 1	1	L(20.3")
3	6E5-44365-00-00	.DAMPER, WATER SEAL 1	1	
4	93608-12M05-00	PIN, DOWEL	2	
5	90119-10053-00	BOLT, WITH WASHER	6	
6	90119-10M89-00	BOLT, WITH WASHER	1	
7	663-45376-00-94	GUIDE, SEAL DAMPER	1	
8	688-45375-00-00	DAMPER, SEAL	1	
9	688-45214-02-00	COVER, WATER INLET 1	1	
10	688-45215-02-00	COVER, WATER INLET 2	1	
11	90152-05M07-00	SCREW, COUNTERSUNK	1	
12	90185-05002-00	NUT, NYLON	1	
13	6E5-45371-01-00	TAB-TRIM	1	
14	90105-10M00-00	BOLT, FLANGE	1	
15	90445-07MF0-00	HOSE (L1030)	1	
16	6E5-83558-00-00	END, NIPPLE	1	
17	90465-11M10-00	CLAMP	4	
18	6E5-44365-00-00	.DAMPER, WATER SEAL 1	1	
19	6E5-44312-00-00	COVER, WATER PUMP HOUSING	1	
20	6E5-45987-01-00	SPACER 1	1	

CONTINUED ON NEXT FRAME >

LOWER CASING DRIVE 2



Ref No.	Part Number	Description	Qty	Remarks
21	688-45997-01-00	SPACER 2	1	
22	92990-18200-00	WASHER	1	
23	90171-18M04-00	NUT, CASTLE	1	
24	91490-40030-00	PIN, COTTER	1	
25	688-45978-60-98	PROPELLER (3X13-1/2"X16"-K)	1	UR
25	688-45932-60-98	PROPELLER (3X13-1/2"X14"-K)	1	UR
25	6E5-45952-00-EL	PROPELLER (3X13"X23"-K)	1	UR
25	6E5-45954-00-EL	PROPELLER (3X14"X11"-K)	1	UR
25	688-45976-01-98	PROPELLER (3X13"X25"-K)	1	UR
25	6E5-45956-00-EL	PROPELLER (3X13"X25"-K)	1	UR
25	688-45930-02-98	PROPELLER (3X13"X17"-K)	1	UR
25	688-45974-02-98	PROPELLER (3X13"X23"-K)	1	UR
25	688-45972-02-98	PROPELLER (3X13"X21"-K)	1	UR
25	688-45970-03-98	PROPELLER (3 X 13-1/2" X 19" -K) ()	1	UR
25	6E5-45949-00-EL	PROPELLER (3X13-5/8"X13"-K)	1	UR
25	6E5-45947-00-EL	PROPELLER (3X13-1/2"X15"-K)	1	UR
25	6E5-45945-01-EL	PROPELLER (3X13-1/4"X17"-K)	1	UR
25	6E5-45941-00-EL	PROPELLER (3X13"X19"-K)	1	UR
25	6E5-45943-00-EL	PROPELLER (3X12-5/8"X21"-K)	1	UR
26	6E5-45976-10-00	PROPELLER (3X14"X22"-P)	1	UR

CONTINUED ON NEXT FRAME >

LOWER CASING DRIVE 2

Ref No.	Part Number	Description	Qty	Remarks
26	6E5-45970-10-00	PROPELLER (3X14"X20"-P)	1	UR
26	6E5-45974-10-00	PROPELLER (3X14"X28"-P)	1	UR
26	6E5-45978-10-00	PROPELLER (3X14"X26"-P)	1	UR
26	6E5-45972-10-00	PROPELLER (3X14"X24"-P)	1	UR
27	6E5-45371-10-00	TAB-TRIM	1	
28	6E5-45994-10-00	PLATE, TOOTH	1	

