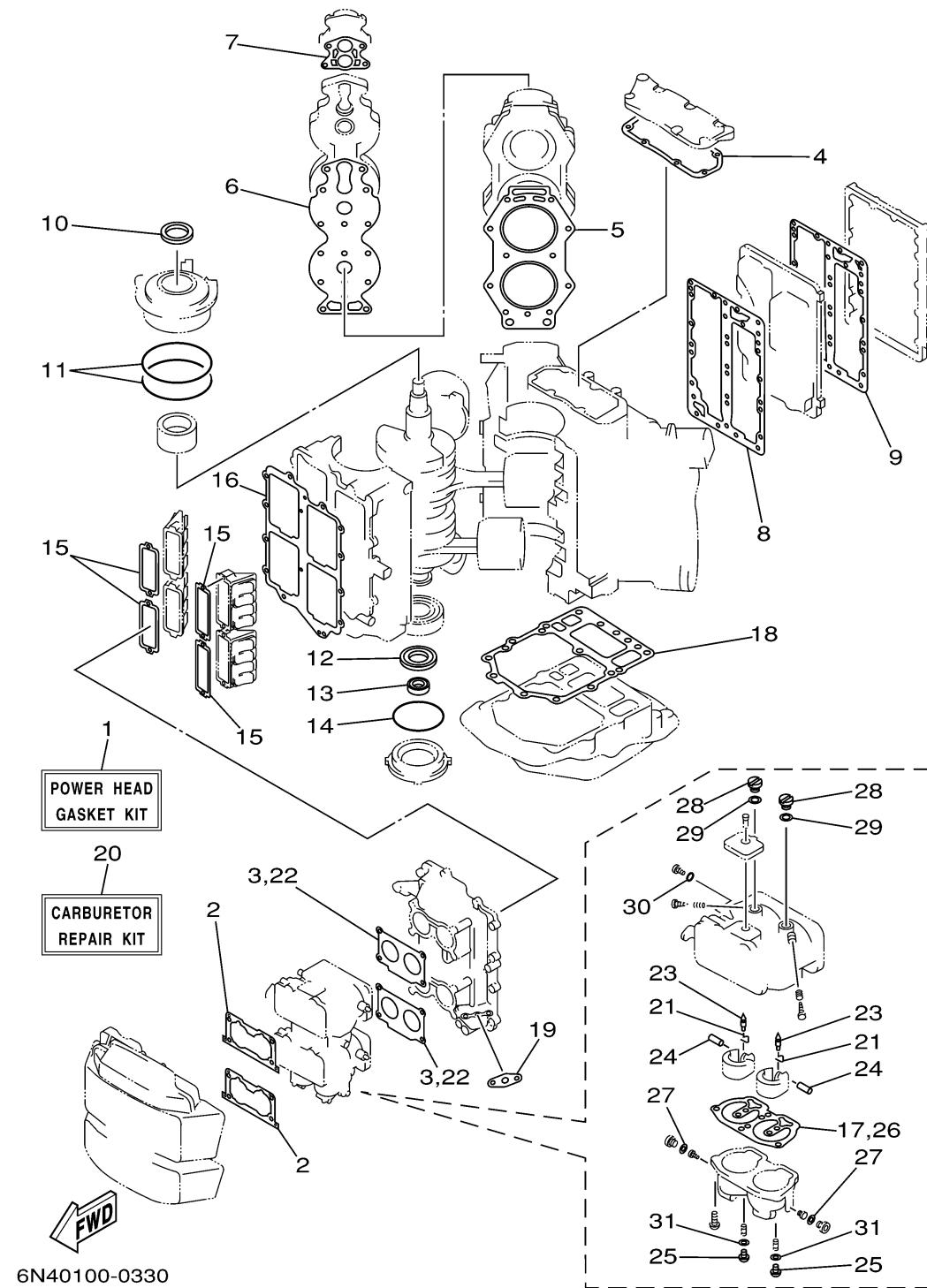


# REPAIR KIT 1

Ref No.	Part Number	Description	Qty	Remarks
1	6N6-W0001-A5-00	POWER HEAD GASKET KIT	1	
2	6K7-14483-00-00	. GASKET	2	
3	6E5-14198-A2-00	. .GASKET	2	
4	6E5-11381-A2-00	. .GASKET 1	1	
5	6E5-11181-A2-00	. .GASKET, CYLINDER HEAD 1	2	
6	6E5-11193-A0-00	. .GASKET, HEAD COVER 1	2	
7	688-12414-A1-00	. .GASKET, COVER	2	
8	6E5-41112-A1-00	. GASKET, EXHAUST INNER COVER	1	
9	6E5-41114-A0-00	. GASKET, EXH.OUTR.CV	1	
10	93102-40M14-00	. .OIL SEAL	1	
11	93211-04001-00	. .O-RING	2	
12	93102-35M13-00	. OIL SEAL	1	
13	93101-22M15-00	. .OIL SEAL	1	
14	93210-74M35-00	. .O-RING	1	
15	6E5-13621-A1-00	. .GASKET, VALVE SEAT	4	
16	6E5-13645-A1-00	. GASKET, MANIFOLD 1	1	
17	64D-14384-01-00	. .GASKET, FLOAT CHAMBER	2	
18	6G5-45113-A2-00	. .GASKET, UPPER CASING	1	
19	650-24431-A0-00	. GASKET, FUEL PUMP 1	1	
20	6E5-W0093-09-00	CARBURETOR REPAIR KIT	1	

CONTINUED ON NEXT FRAME >



# REPAIR KIT 1

Ref No.	Part Number	Description	Qty	Remarks
21	6E5-14159-00-00	. CLIP	2	
22	6E5-14198-A2-00	..GASKET	1	
23	6E5-14546-00-00	. VALVE, NEEDLE	2	
24	6E5-14386-02-00	. PIN, FLOAT	2	
25	64D-14394-00-00	..VALVE, DRAIN	2	
26	64D-14384-01-00	..GASKET, FLOAT CHAMBER	1	
27	6E5-14398-01-00	.. GASKET	2	
28	6E5-14328-01-00	..PLUG	2	
29	6E5-14979-00-00	. GASKET	2	
30	6J8-14995-00-00	. GASKET	1	
31	61U-14959-00-00	..GASKET	2	

