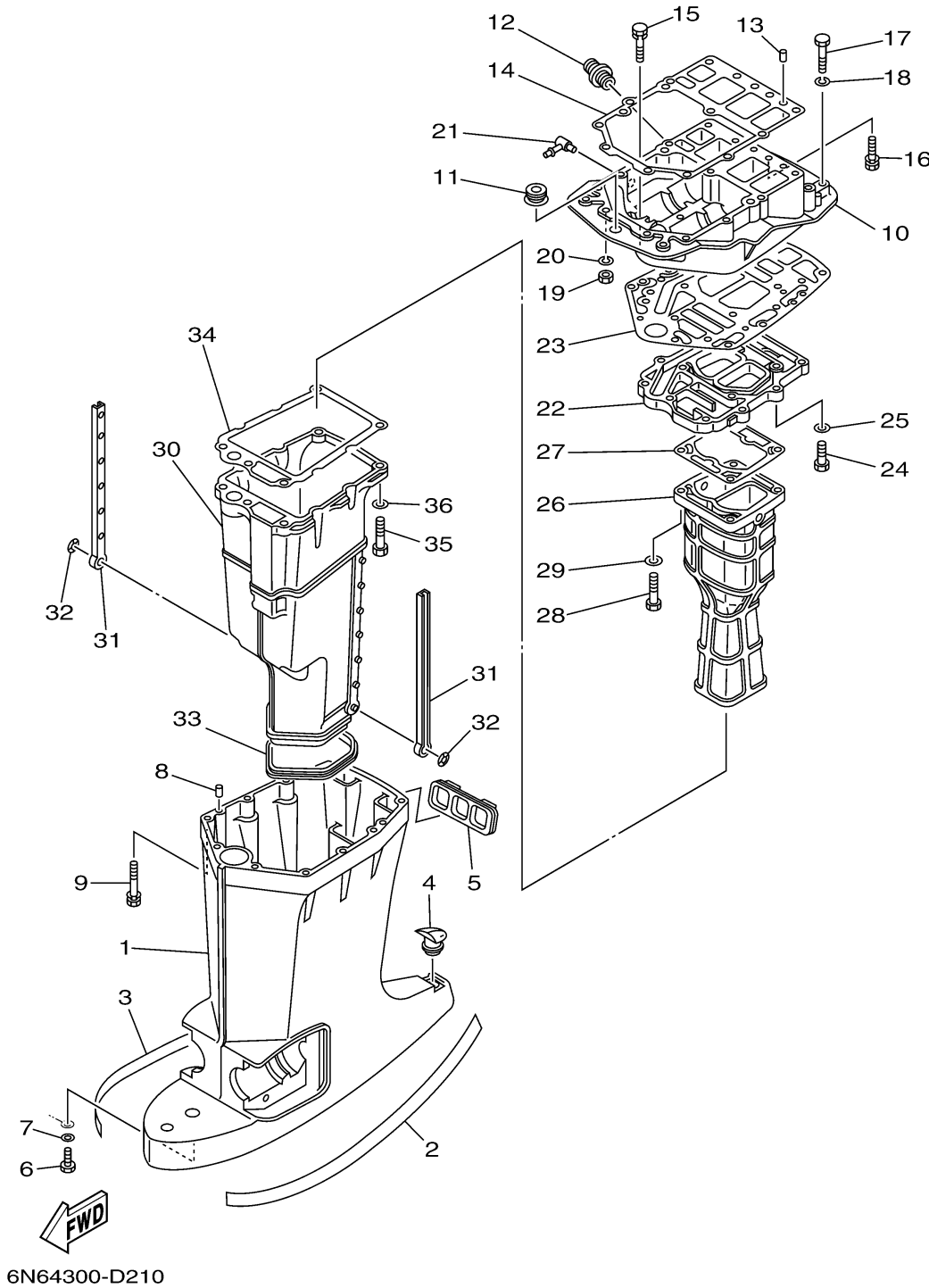


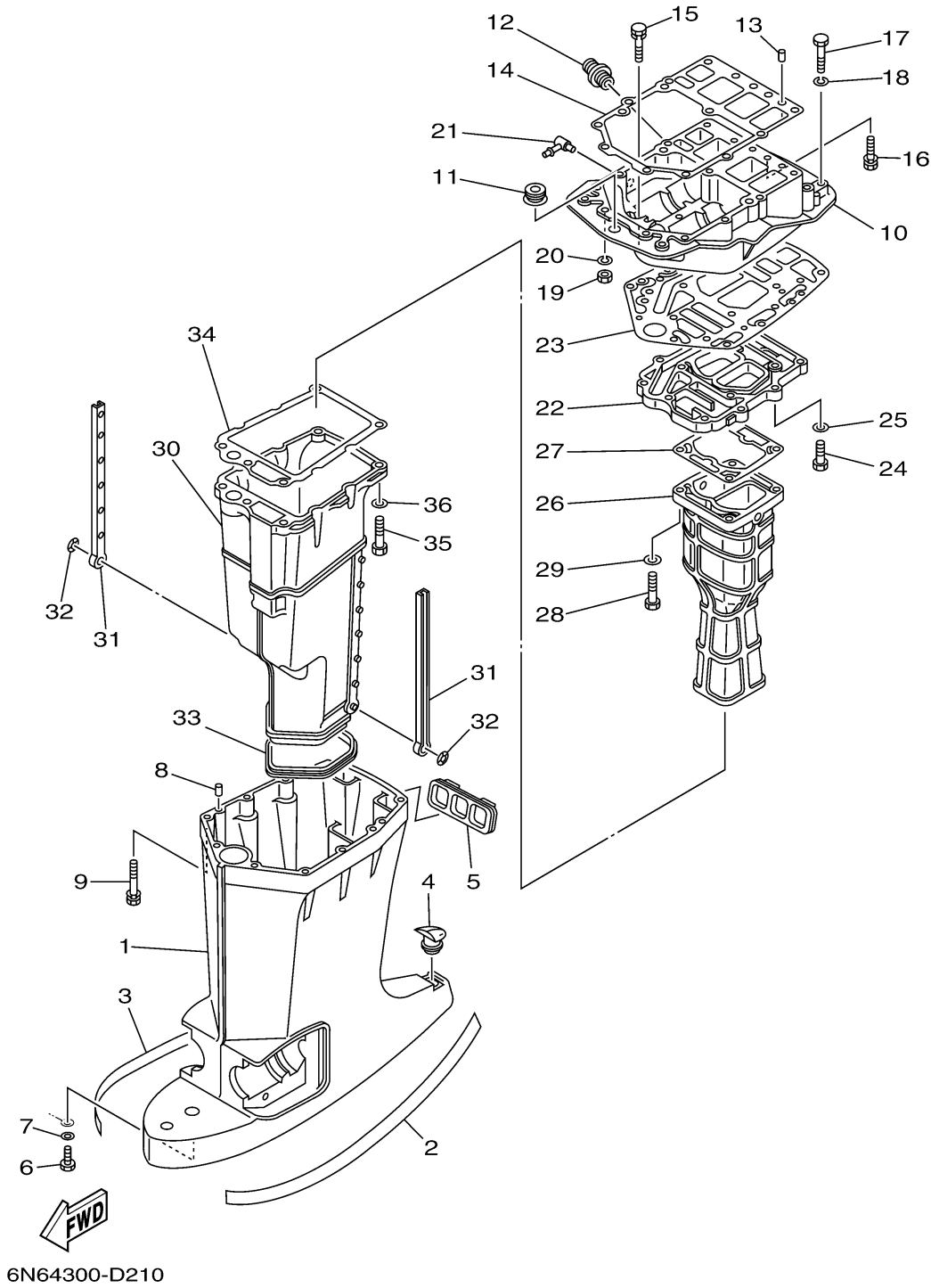
UPPER CASING



Ref No.	Part Number	Description	Qty	Remarks
1	6E5-45111-02-8D	CASING, UPPER	1	L(20.3")
2	6R3-42791-41-00	MARK 1	1	
3	6R3-42792-41-00	MARK 2	1	
4	6E5-45155-00-00	CAP	1	
5	6E5-42769-00-00	SEAL, RUBBER	1	
6	97095-06010-00	BOLT	1	
7	92995-06600-00	WASHER	1	
8	93608-12M05-00	PIN, DOWEL	2	
9	90119-08078-00	BOLT, WITH WASHER	6	
10	6G5-41137-11-CA	GUIDE, EXHAUST	1	FLUSHING KIT
11	6E5-42724-00-00	GROMMET	1	
12	6G5-12581-00-00	JOINT, HOSE 1	1	
13	93608-12M05-00	PIN, DOWEL	2	
14	6G5-45113-A2-00	.GASKET, UPPER CASING	1	
15	90119-08M79-00	BOLT, WITH WASHER	2	
16	90119-08077-00	BOLT, WITH WASHER	4	
17	97095-08045-00	.BOLT	2	
18	92995-08100-00	WASHER	2	
19	95380-08700-00	NUT	2	
20	92995-08100-00	WASHER	2	

CONTINUED ON NEXT FRAME >

UPPER CASING



Ref No.	Part Number	Description	Qty	Remarks
21	6H1-11372-00-00	NIPPLE, HOSE	1	FLUSHING KIT
22	6G5-41131-01-CA	MANIFOLD, EXT. 1	1	
23	6G5-45114-A1-00	.GASKET, UPPER CASING	1	
24	97095-08030-00	BOLT	4	
25	92995-08600-00	WASHER	4	
26	6E5-41132-10-CA	MANIFOLD, EXHAUST	1	
27	6E5-41134-A0-00	.GASKET, EXHAUST MANIFOLD	1	
28	97095-08045-00	.BOLT	4	
29	92995-08600-00	WASHER	4	
30	6E5-14711-01-CA	MUFFLER 1	1	
31	6E5-14737-00-00	DAMPER, MUFFLER	2	
32	90183-05M02-00	NUT, SPRING	2	
33	6E5-45123-00-00	.GASKET, MUFFLER	1	
34	6E5-41135-A0-00	.GASKET, EXHAUST MANIFOLD	1	
35	97095-08045-00	.BOLT	5	
36	92995-08600-00	WASHER	5	