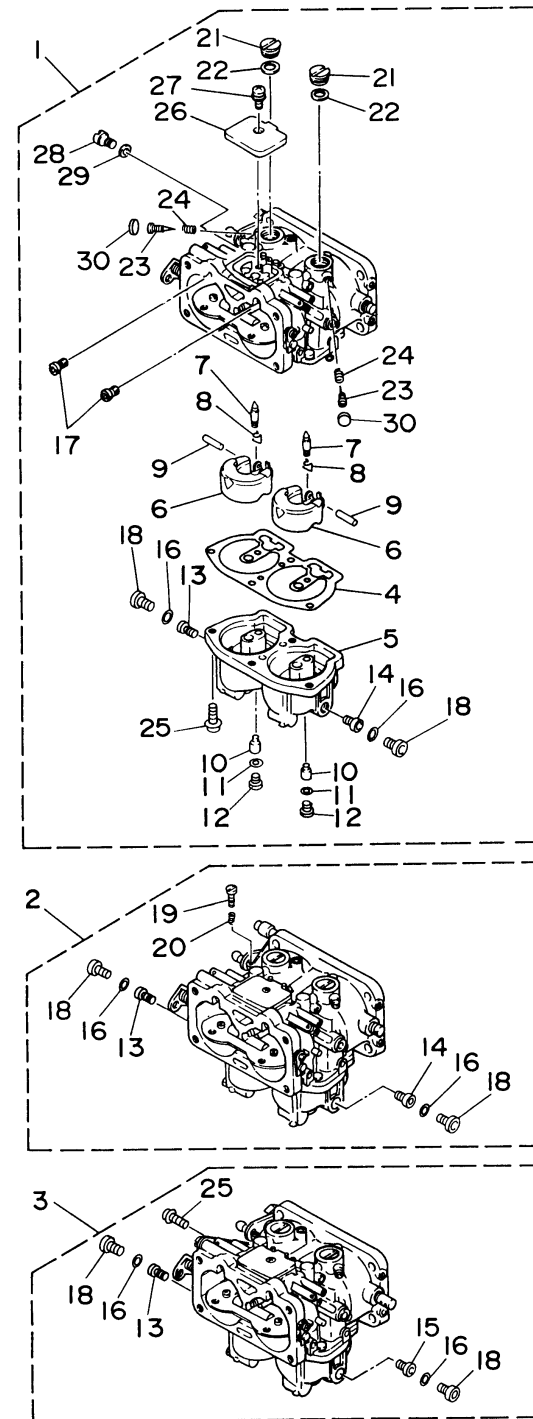


CARBURETOR

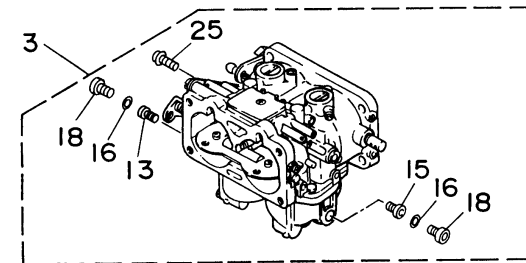
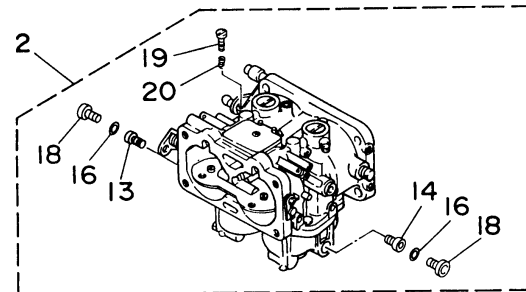
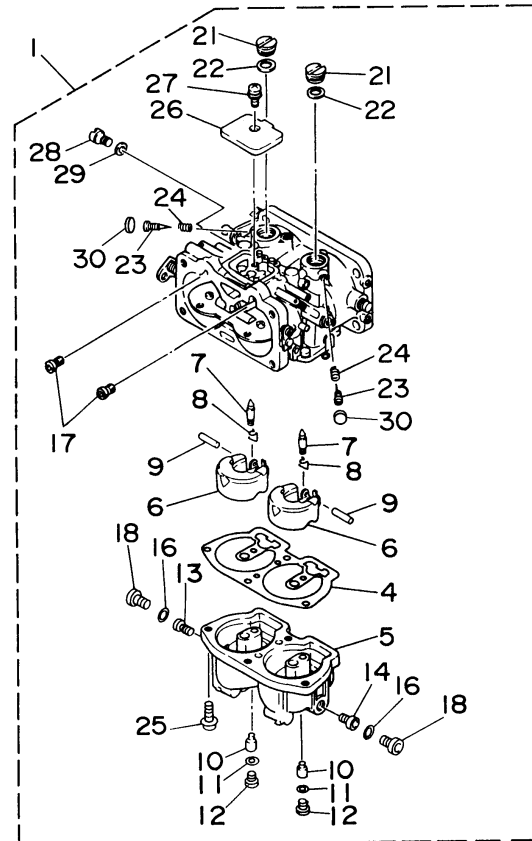


| Ref No. | Part Number | Description | Qty | Remarks |
|---------|-----------------|------------------------------|-----|---------|
| 1 | 64C-14301-10-00 | CARBURETOR ASSY 1 | 1 | |
| 2 | 64C-14302-10-00 | CARBURETOR ASSY 2 | 1 | |
| 3 | 64C-14303-10-00 | CARBURETOR ASSY 3 | 1 | |
| 4 | 64D-14384-01-00 | . .GASKET, FLOAT CHAMBER | 3 | |
| 5 | 64D-14381-10-00 | . .BODY, FLOAT CHAMBER | 3 | |
| 6 | 6E5-14385-02-00 | . .FLOAT | 6 | |
| 7 | 6E5-14546-00-00 | . .VALVE, NEEDLE | 6 | |
| 8 | 6E5-14159-00-00 | . .CLIP | 6 | |
| 9 | 6E5-14386-02-00 | . .PIN, FLOAT | 6 | |
| 10 | 64D-1492F-42-00 | . .JET, AIR SLOW (#84) | 6 | |
| 11 | 61U-14959-00-00 | . .GASKET | 6 | |
| 12 | 64D-14394-00-00 | . .VALVE, DRAIN | 6 | |
| 13 | 64D-1492E-71-00 | . .JET, MAIN (#142) | 3 | |
| 14 | 64D-1492E-71-00 | . .JET, MAIN (#142) | 2 | |
| 15 | 64D-1492E-71-00 | . .JET, MAIN (#142) | 1 | |
| 16 | 6E5-14398-01-00 | . .GASKET | 6 | |
| 17 | 61A-1492H-12-00 | . .JET, SLOW AIR BLEED (#60) | 6 | |
| 18 | 61A-14383-01-00 | . .SCREW, DRAIN | 6 | |
| 19 | 6E5-14321-00-00 | . .SCREW, THROTTLE | 1 | #2 |
| 20 | 6J8-14334-00-00 | . .SPRING, THROTTLE | 1 | #2 |

CONTINUED ON NEXT FRAME >


64D4100-D060

CARBURETOR



64D4100-D060

| Ref No. | Part Number | Description | Qty | Remarks |
|---------|-----------------|-------------------------|-----|---------|
| 21 | 6E5-14328-01-00 | . .PLUG | 6 | |
| 22 | 6E5-14979-00-00 | . GASKET | 6 | |
| 23 | 6E5-14323-03-00 | . SCREW, AIR ADJUSTING | 6 | |
| 24 | 6E5-14223-00-00 | . SPRING, AIR ADJUSTING | 6 | |
| 25 | 97980-05116-00 | . SCREW, WITH WASHER | 12 | |
| 26 | 6E5-14527-01-00 | . PLATE | 3 | |
| 27 | 97980-05108-00 | . SCREW, WITH WASHER | 3 | |
| 28 | 6E5-14324-00-00 | . SCREW, FLAT HEAD | 3 | |
| 29 | 6J8-14959-00-00 | . GASKET | 3 | |
| 30 | 64E-1432A-00-00 | . PLUG | 6 | |