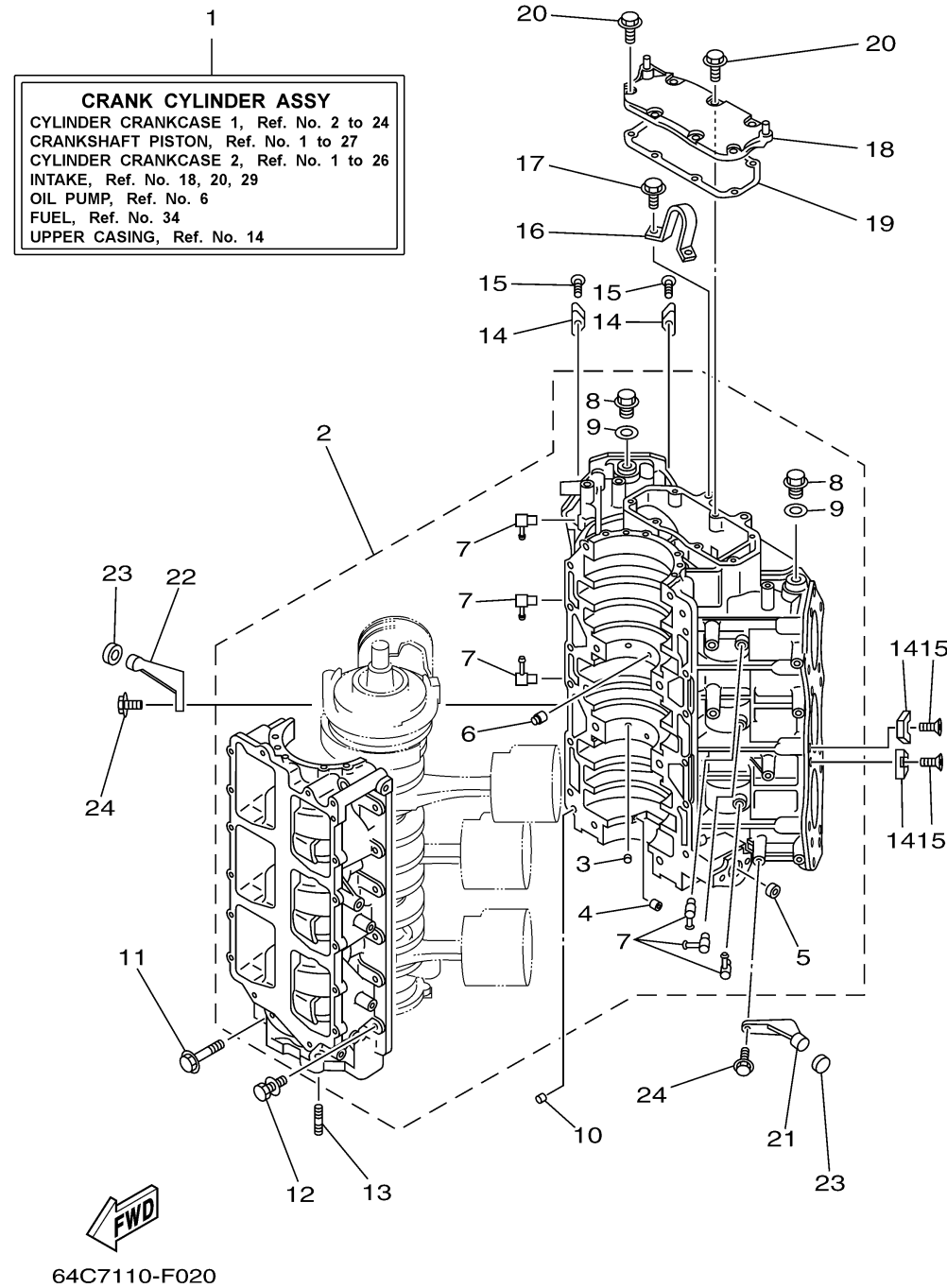


CYLINDER CRANKCASE 1



Ref No.	Part Number	Description	Qty	Remarks
1	64C-W0090-15-1S	CRANK CYLINDER ASSY	1	
2	64C-15100-01-1S	CRANKCASE ASSY	1	
3	624-11379-00-00	. . VALVE, CHECK	2	
4	90384-06M07-00	. . BUSH, BIMETAL FORMED	1	
5	90384-14M09-00	. . BUSH, BIMETAL FORMED	1	
6	663-11518-01-00	. . LOCK, BEARING	2	
7	646-11370-01-00	. . CHECK VALVE ASSY	6	
8	90340-14M00-00	. . PLUG, STRAIGHT SCREW	2	
9	90430-14115-00	. . GASKET	2	
10	93608-12063-00	PIN, DOWEL	2	
11	90105-10M20-00	BOLT, FLANGE	8	
12	90119-08M94-00	BOLT, WITH WASHER	12	
13	90116-08026-00	BOLT, STUD	2	
14	6E5-11325-00-00	ANODE	8	
15	98780-04015-00	SCREW, FLAT HEAD	8	
16	67H-11119-01-00	HANGER, ENGINE	1	
17	90119-08MA3-00	BOLT, WITH WASHER	2	
18	6K7-11371-01-1S	COVER	1	
19	6E5-11381-A2-00	. GASKET 1	1	
20	90119-06MA2-00	BOLT, WITH WASHER	7	

CONTINUED ON NEXT FRAME >

CYLINDER CRANKCASE 1

Ref No.	Part Number	Description	Qty	Remarks
21	6E5-42761-00-1S	STOPPER	1	
22	6E5-42762-00-1S	STOPPER	1	
23	68F-44533-01-00	DAMPER, UPPER MOUNT RUBBER	2	
24	90119-06MA2-00	BOLT, WITH WASHER	4	

