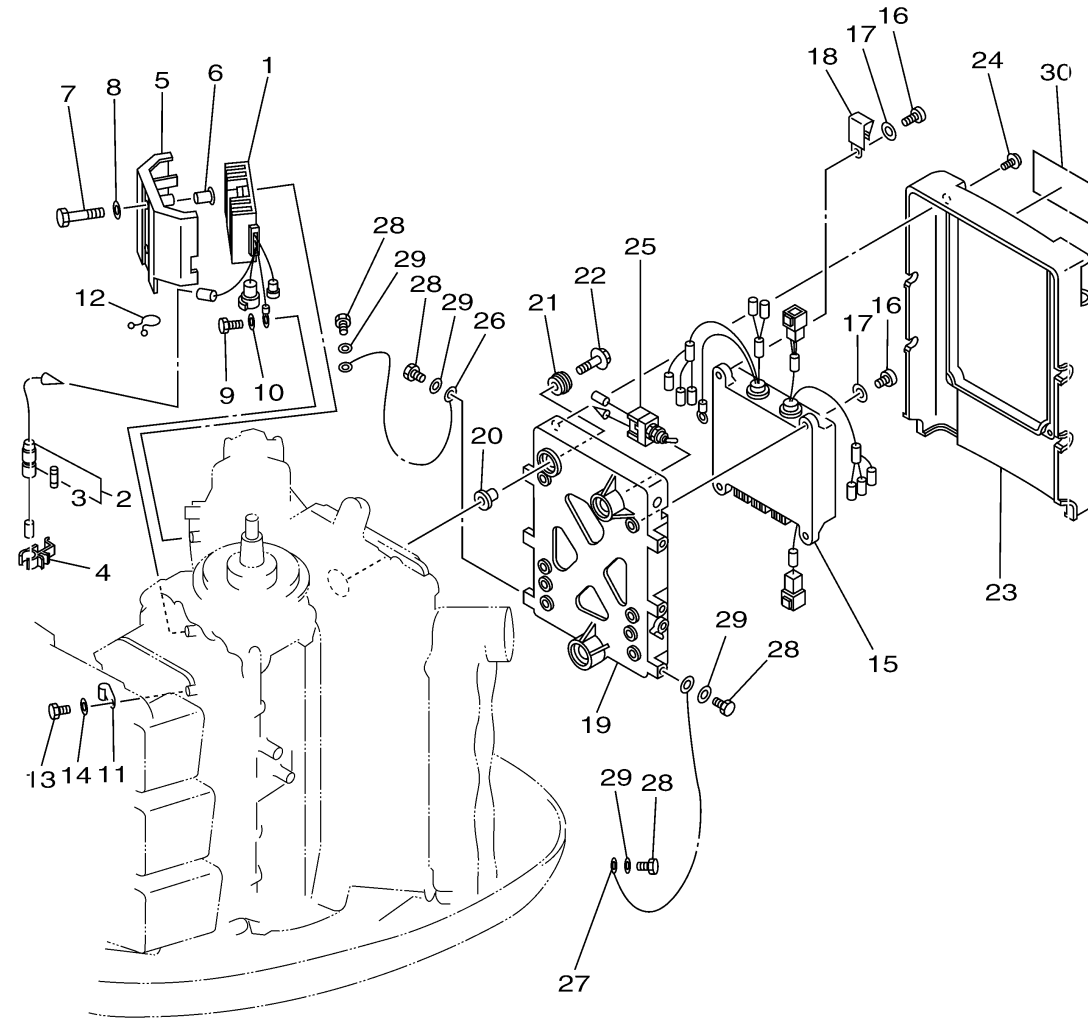


ELECTRICAL 1



Ref No.	Part Number	Description	Qty	Remarks
1	6R3-81960-10-00	RECTIFIER & REGULATOR ASSY	1	
2	6R3-82150-00-00	FUSE HOLDER ASSY	1	
3	705-82151-00-00	. . FUSE (30A)	1	
4	6G5-82152-00-00	HOLDER, FUSE	1	
5	64D-81942-00-00	COVER	1	
6	90387-06M66-00	COLLAR	2	
7	97013-06055-00	BOLT	2	
8	92903-06600-00	WASHER, PLATE	2	
9	97095-06012-00	BOLT	1	
10	92995-06600-00	WASHER	1	
11	90465-06M88-00	CLAMP	1	
12	90464-15M11-00	CLAMP	1	
13	97095-06012-00	BOLT	1	
14	92995-06600-00	WASHER	1	
15	64D-85540-01-00	C.D.I. UNIT ASSY	1	
16	97880-06020-00	SCREW, PAN HEAD	4	
17	92990-06600-00	WASHER, PLATE	4	
18	90465-05M87-00	CLAMP	1	
19	6R3-85542-03-1S	BRACKET	1	
20	90387-06M03-00	COLLAR	3	

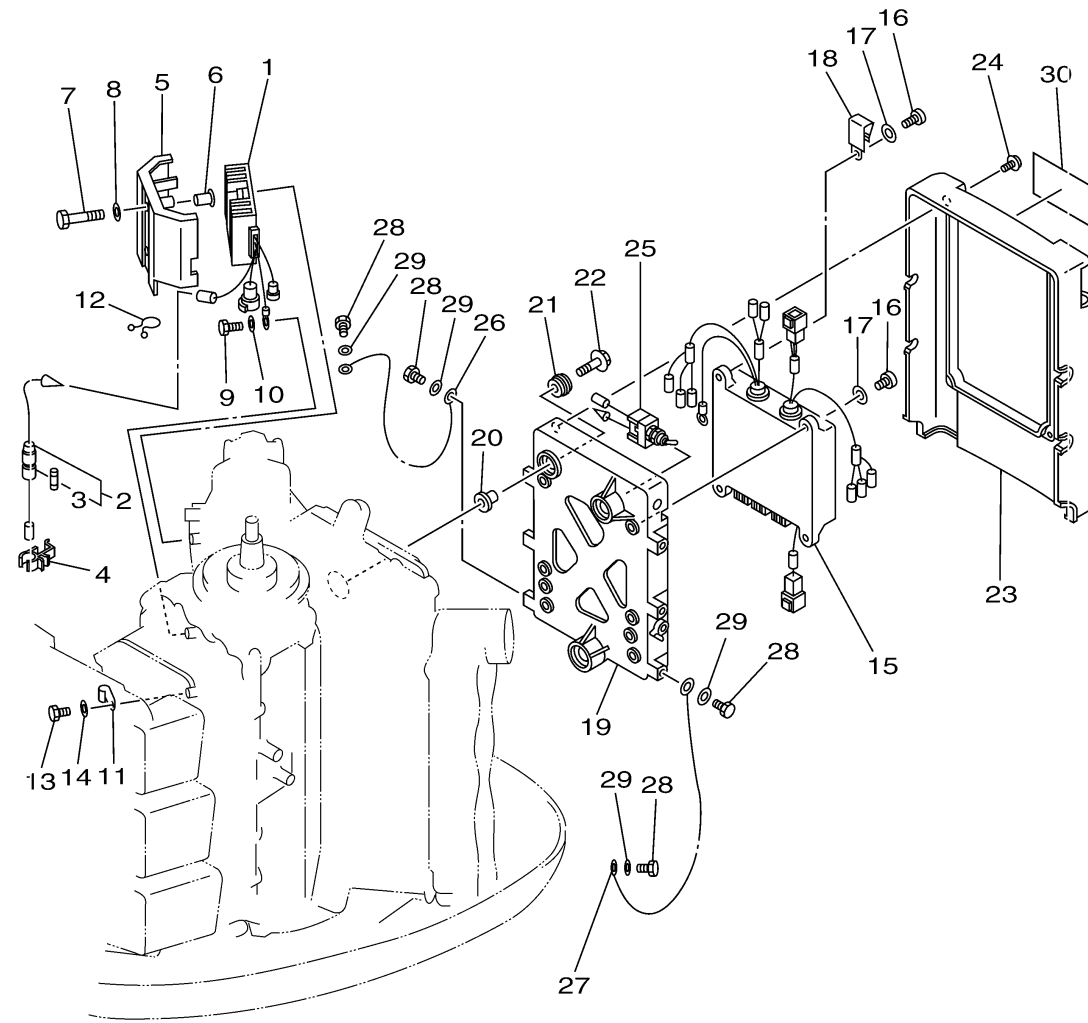
CONTINUED ON NEXT FRAME >



64C9110-H110

ELECTRICAL 1

Ref No.	Part Number	Description	Qty	Remarks
21	90480-09M12-00	GROMMET	3	
22	90119-06M61-00	BOLT, WITH WASHER	3	
23	64D-85537-00-00	COVER	1	
24	90159-06M11-00	SCREW, WITH WASHER	4	
25	6R3-8259E-00-00	SWITCH ASSY	1	
26	662-82519-00-00	WIRE, EARTH LEAD	1	
27	6R3-82519-00-00	WIRE, EARTH LEAD	1	
28	97095-06012-00	BOLT	5	
29	92995-06600-00	WASHER	5	
30	60H-85711-A0-00	MARK, CAUTION	1	



64C9110-H110