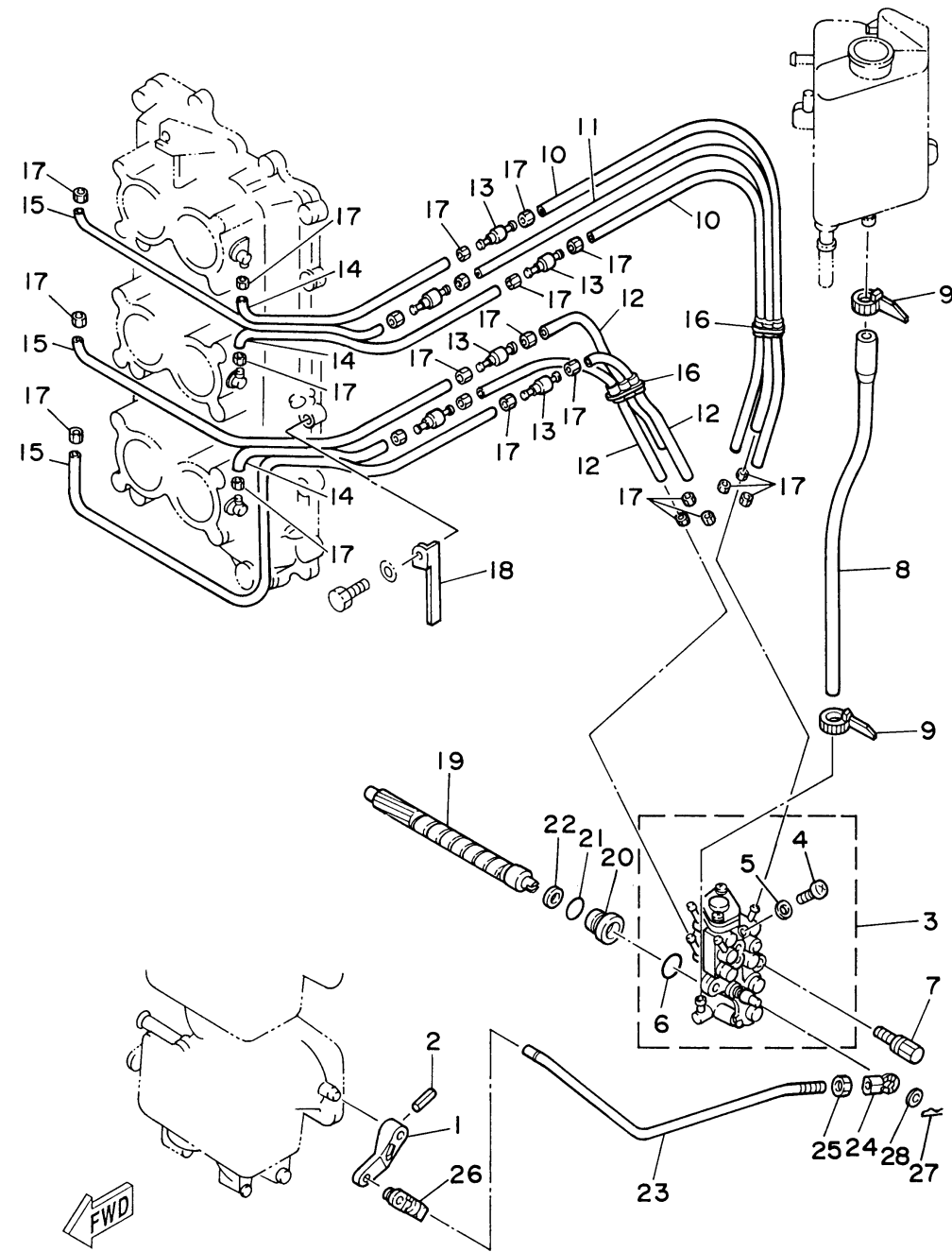


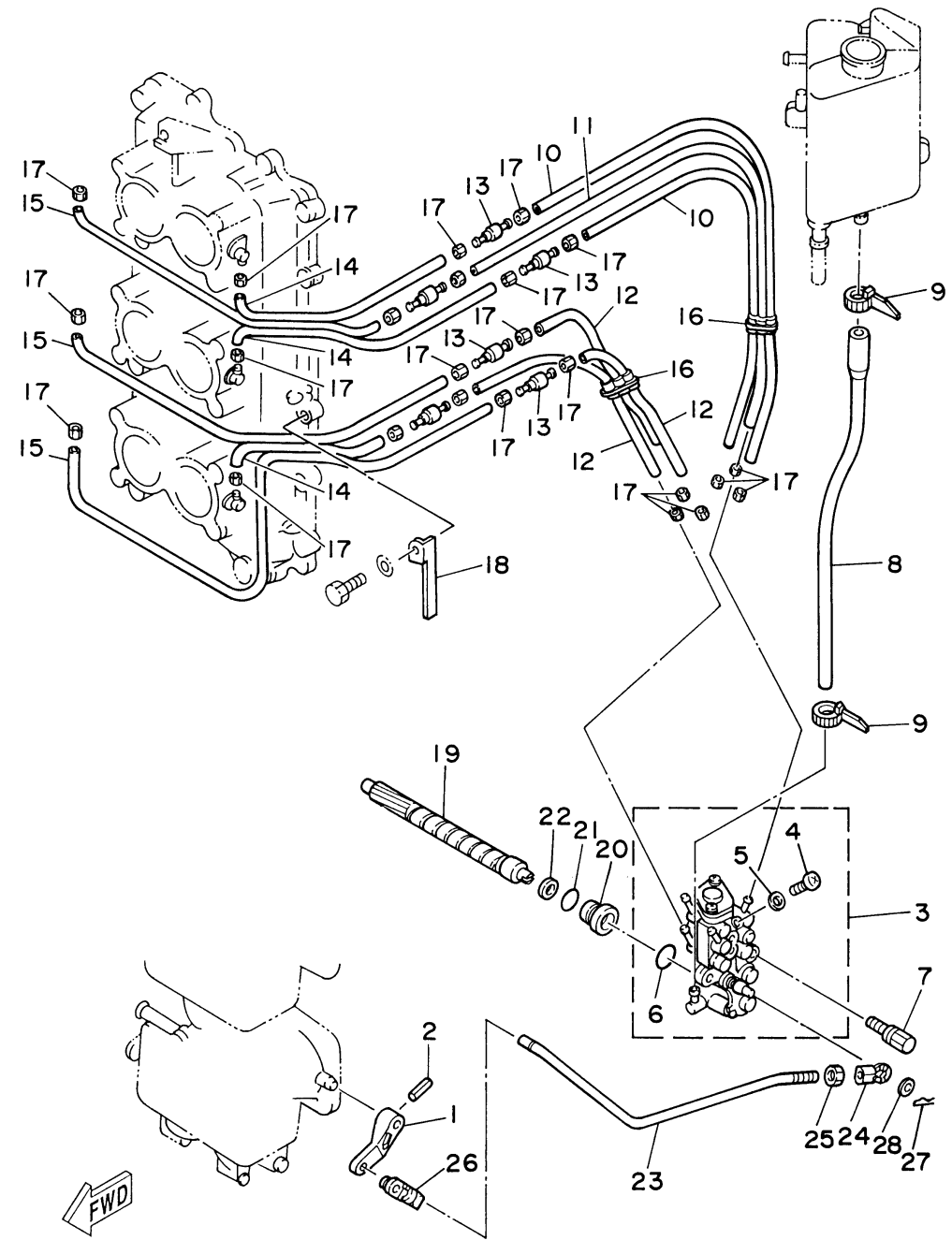
# OIL PUMP



64D0010-6070

| Ref No. | Part Number     | Description             | Qty | Remarks |
|---------|-----------------|-------------------------|-----|---------|
| 1       | 6E5-14276-01-00 | LEVER                   | 1   |         |
| 2       | 91690-30016-00  | PIN, SPRING             | 1   |         |
| 3       | 6R4-13200-02-00 | OIL INJECTION PUMP ASSY | 1   |         |
| 4       | 6R3-13471-00-00 | ..PLUG, DRAIN           | 1   |         |
| 5       | 6L2-13475-00-00 | ..GASKET                | 1   |         |
| 6       | 93210-19M82-00  | ..O-RING                | 1   |         |
| 7       | 90109-06M40-00  | BOLT                    | 2   |         |
| 8       | 6R3-13416-00-00 | PIPE, OIL 1             | 1   |         |
| 9       | 90465-11M10-00  | CLAMP                   | 2   |         |
| 10      | 90445-07M72-00  | HOSE (L250)             | 2   |         |
| 11      | 90445-07M89-00  | HOSE (L310)             | 1   |         |
| 12      | 90445-07M83-00  | HOSE (L150)             | 3   |         |
| 13      | 6R3-13183-10-00 | VALVE, CHECK            | 6   |         |
| 14      | 90445-07M87-00  | HOSE (L110)             | 3   |         |
| 15      | 90445-07M96-00  | HOSE (L310)             | 3   |         |
| 16      | 90464-07M05-00  | CLAMP                   | 2   |         |
| 17      | 90468-07M02-00  | CLIP                    | 24  |         |
| 18      | 90465-10M91-00  | CLAMP                   | 2   |         |
| 19      | 6R3-11537-00-00 | GEAR, DRIVEN            | 1   |         |
| 20      | 6R3-13117-00-00 | COLLAR, DISTANCE        | 1   |         |

CONTINUED ON NEXT FRAME >



64D0010-6070

# OIL PUMP

| Ref No. | Part Number     | Description   | Qty | Remarks |
|---------|-----------------|---------------|-----|---------|
| 21      | 93210-13M04-00  | O-RING        | 1   |         |
| 22      | 90202-08M44-00  | WASHER, PLATE | 1   |         |
| 23      | 6R3-41241-00-00 | ROD, LINK     | 1   |         |
| 24      | 6H1-41237-00-00 | JOINT, LINK   | 1   |         |
| 25      | 95380-05600-00  | NUT           | 1   |         |
| 26      | 6R5-41237-00-00 | JOINT, LINK   | 1   |         |
| 27      | 90468-05M03-00  | CLIP          | 1   |         |
| 28      | 90202-05088-00  | WASHER, PLATE | 1   |         |