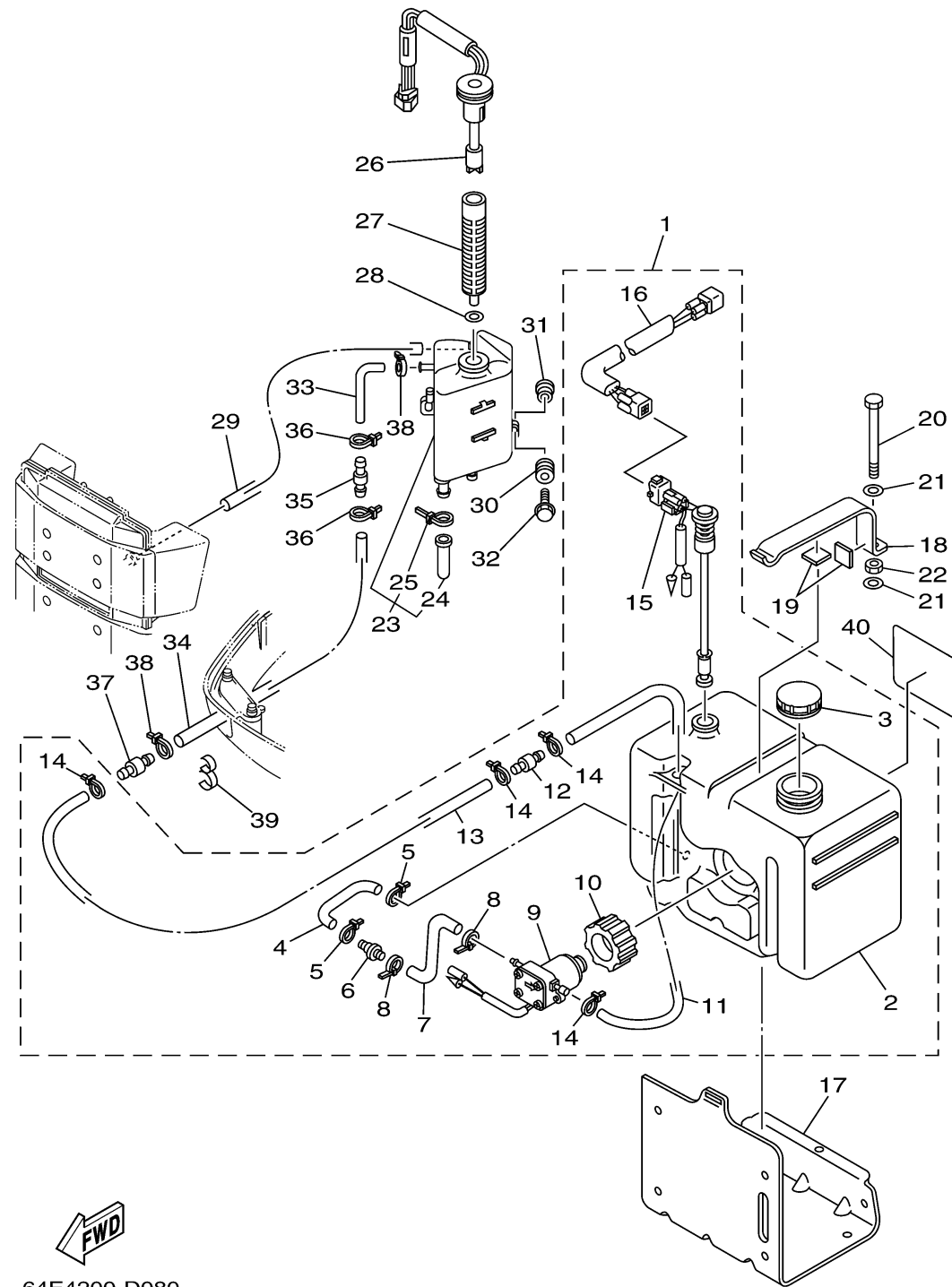


OIL TANK

Ref No.	Part Number	Description	Qty	Remarks
1	61A-21708-20-00	SUB OIL TANK ASSY	1	AP
2	6E5-21733-20-00	..SUB TANK, OIL (10.5L)	1	
3	6E5-21770-03-00	..OIL TANK CAP ASSY	1	
4	6E5-24322-00-00	..PIPE 11	1	
5	90465-11M10-00	..CLAMP	2	
6	646-24251-02-00	..STRAINER 1	1	
7	6E5-24319-01-00	..PIPE, OIL	1	
8	90465-11M10-00	..CLAMP	2	
9	6E5-81900-01-00	..OIL FEED PUMP ASSY	1	
10	6E5-81922-00-00	..GROMMET	1	
11	6E5-24321-01-00	..PIPE 10	1	
12	6E5-24379-00-00	..PIPE, JOINT 4	1	
13	90445-11M26-00	..HOSE (L6500)	1	
14	90465-11M10-00	..CLAMP	4	
15	6E5-85720-06-00	..OIL LEVEL GAUGE ASSY	1	
16	6R3-85721-80-00	..WIRE, LEAD (L=8.0M)	1	(4P)
17	6E5-21734-01-33	HOLDER, OIL SUB TANK	1	AP
18	6E5-21798-01-33	BRACKET, DAMPER	1	AP
19	6E5-21746-00-00	DAMPER	2	AP
20	97080-06100-00	BOLT	1	AP

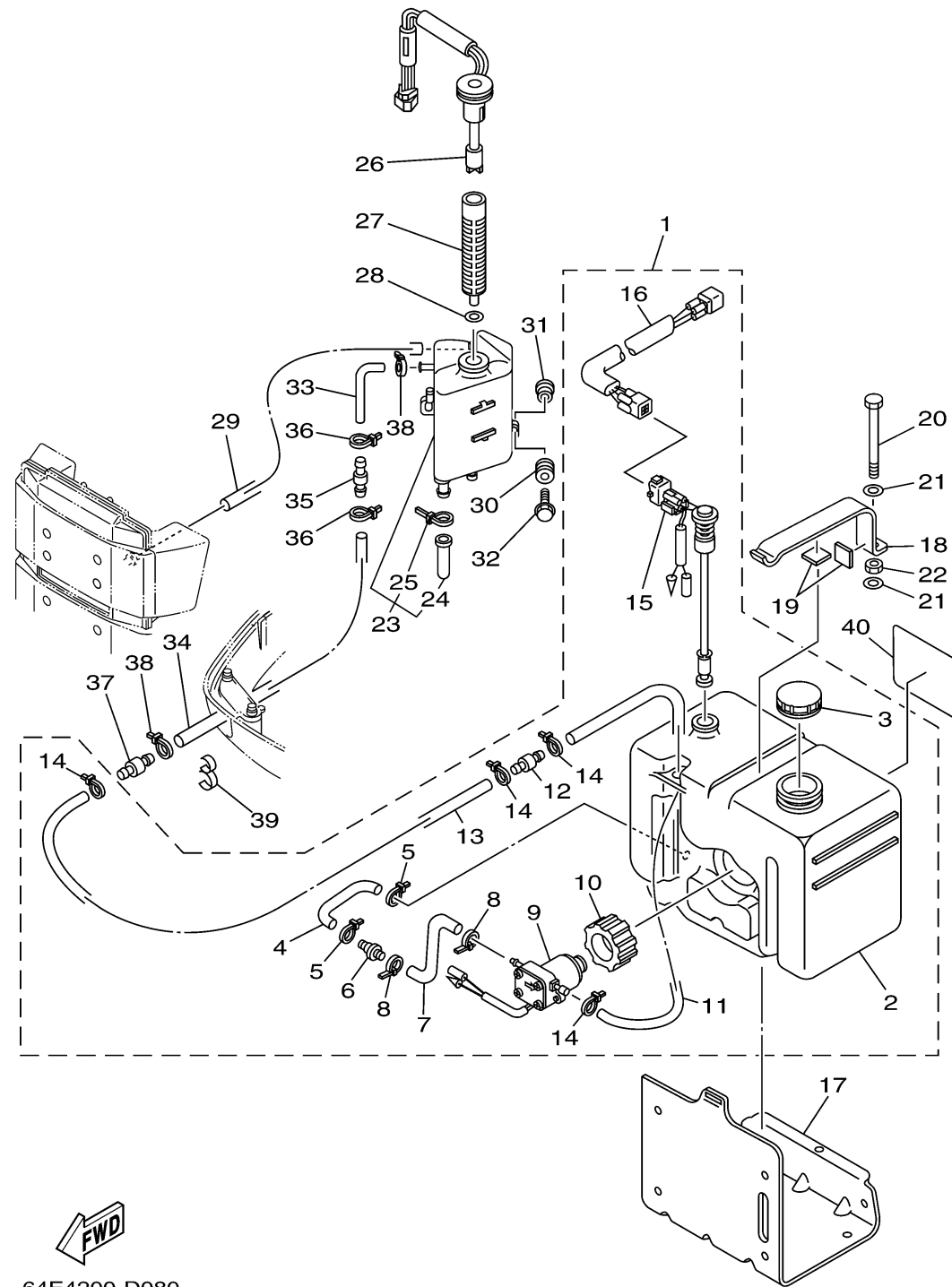
CONTINUED ON NEXT FRAME >




64E4200-D080

OIL TANK

Ref No.	Part Number	Description	Qty	Remarks
21	92990-06600-00	WASHER, PLATE	2	AP
22	95380-06600-00	NUT, HEXAGON	1	AP
23	6E5-21750-05-00	OIL TANK ASSY	1	
24	6E5-13448-00-00	. .CAP	1	
25	90465-13M11-00	. CLAMP	1	
26	6R3-85730-04-00	OIL LEVEL GAUGE ASSY	1	
27	6E5-13411-00-00	STRAINER, OIL	1	
28	6E5-13414-00-00	GASKET, STRAINER COVER	1	
29	90445-05M02-00	HOSE (L380)	1	
30	6A0-82317-00-00	DAMPER, IGNITION COIL	3	
31	90387-06119-00	COLLAR	3	
32	90119-06M65-00	BOLT, WITH WASHER	3	
33	64E-24323-00-00	PIPE 12	1	
34	90445-12207-00	HOSE (L2400)	1	
35	6E5-24379-00-00	PIPE, JOINT 4	1	
36	90465-11M10-00	CLAMP	2	
37	6E5-24379-00-00	PIPE, JOINT 4	1	
38	90465-11M10-00	CLAMP	2	
39	90464-13M34-00	CLAMP	1	
40	60H-13437-A0-00	MARK, CAUTION	1	AP




64E4200-D080