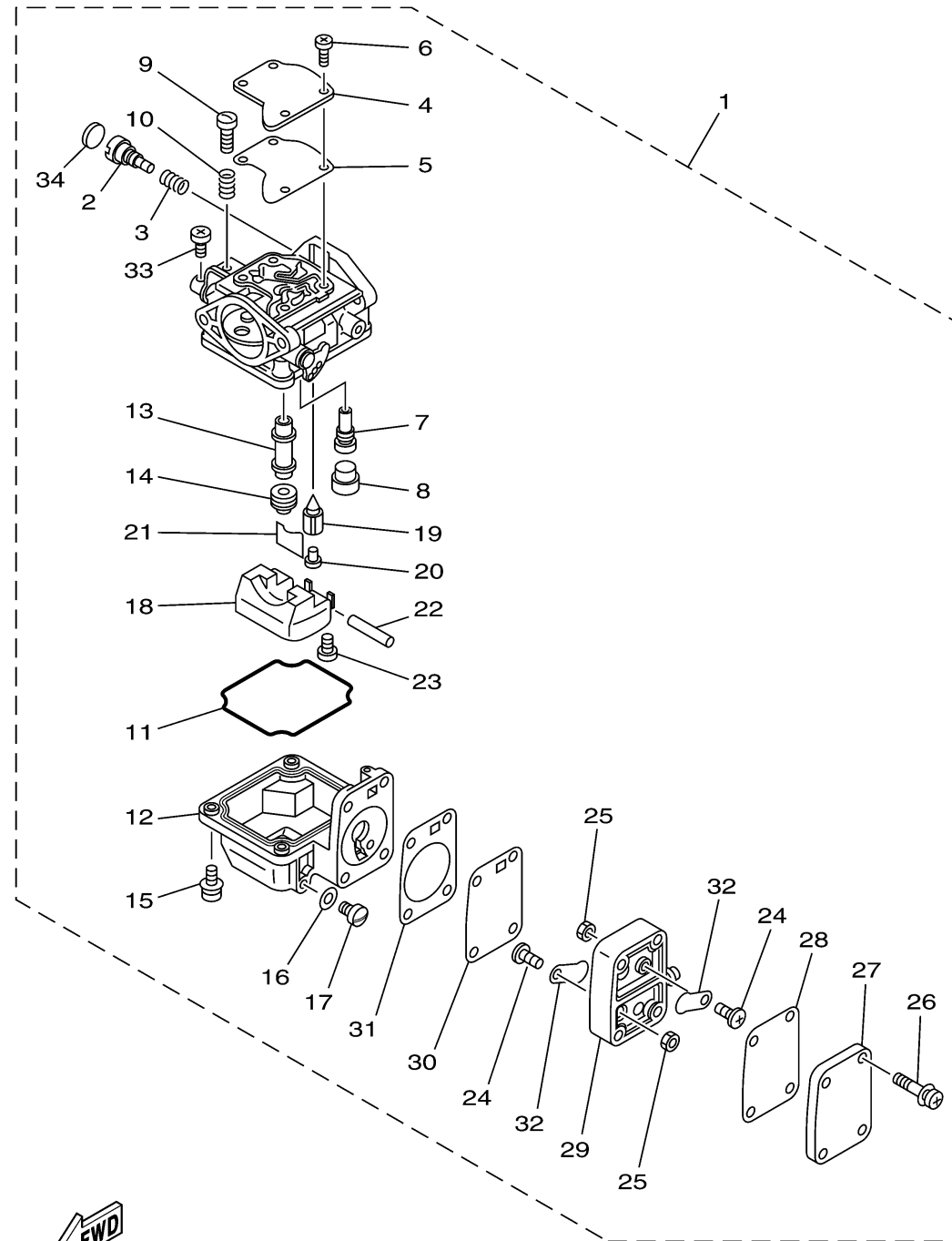


CARBURETOR

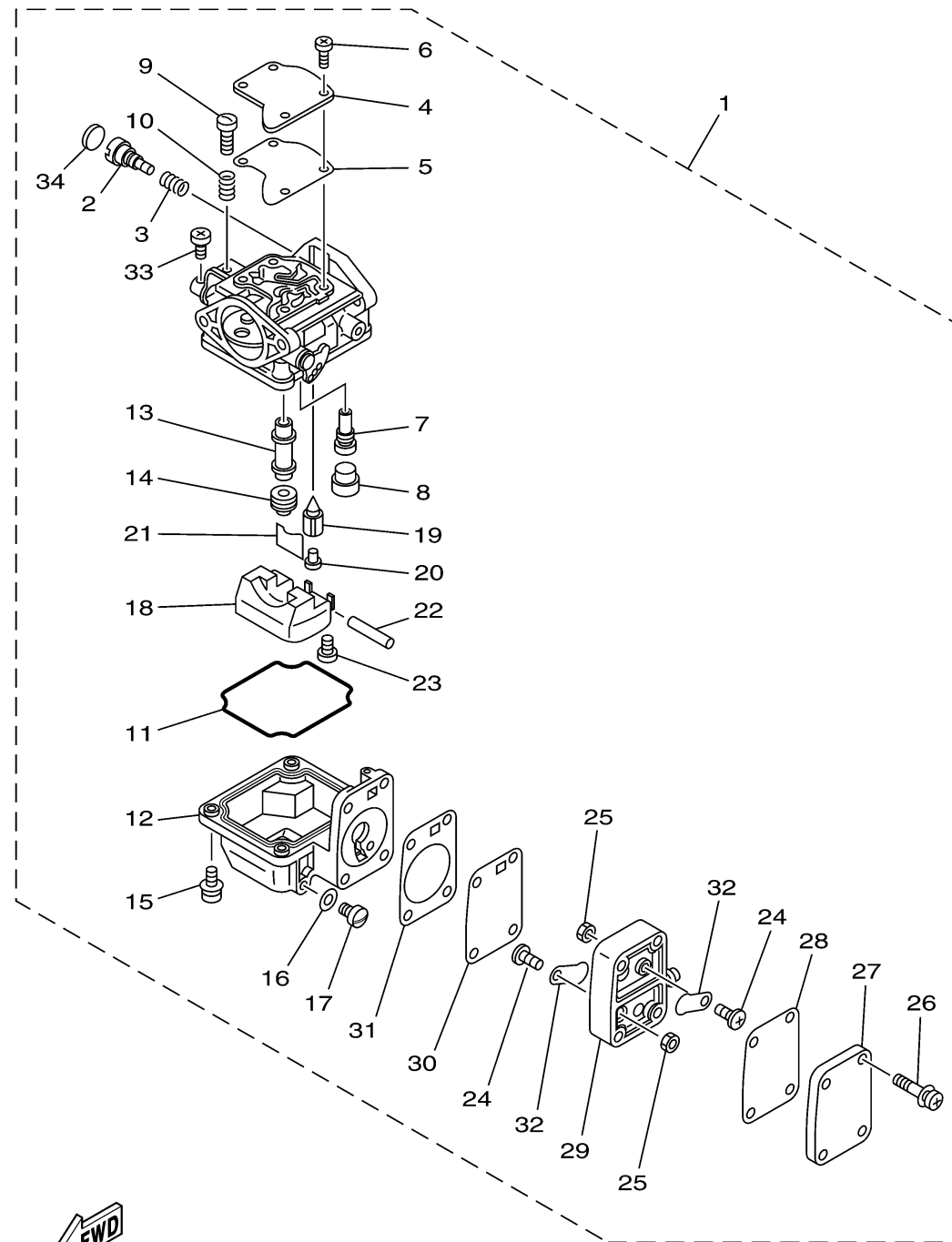


| Ref No. | Part Number | Description | Qty | Remarks |
|---------|-----------------|-------------------------|-----|-------------------|
| 1 | 63V-14301-10-00 | CARBURETOR ASSY 1 | 1 | FOR USA, CAN, CAR |
| 2 | 679-14923-10-00 | . SCREW, PILOT | 1 | FOR USA, CAN, CAR |
| 3 | 679-14555-00-00 | . SPRING | 1 | |
| 4 | 63V-14527-00-00 | . PLATE | 1 | |
| 5 | 63V-14126-00-00 | . GASKET | 1 | |
| 6 | 97803-04010-00 | . SCREW, PAN HEAD | 4 | |
| 7 | 63V-14948-06-00 | . JET (#48) | 1 | |
| 8 | 679-14966-00-00 | . RUBBER CAP | 1 | |
| 9 | 63V-14523-00-00 | . SCREW, STOP | 1 | |
| 10 | 90501-10326-00 | . SPRING, COMPRESSION | 1 | |
| 11 | 63V-14984-00-00 | . GASKET, FLOAT CHAMBER | 1 | |
| 12 | 63V-14980-00-00 | . BODY, FLOAT CHAMBER | 1 | |
| 13 | 63V-14947-00-00 | . JET, NEEDLE | 1 | |
| 14 | 676-14943-29-00 | . JET, MAIN (#110) | 1 | |
| 15 | 97980-04114-00 | . SCREW, WITH WASHER | 4 | |
| 16 | 65W-14398-00-00 | . GASKET | 1 | |
| 17 | 6G1-14992-00-00 | . SCREW, DRAIN | 1 | |
| 18 | 63V-14985-00-00 | . FLOAT | 1 | |
| 19 | 6G1-14546-01-00 | . VALVE, NEEDLE | 1 | |
| 20 | 676-14186-00-00 | . PIN, FLOAT | 1 | |

CONTINUED ON NEXT FRAME >


63V3100-C050

CARBURETOR



| Ref No. | Part Number | Description | Qty | Remarks |
|---------|-----------------|-----------------------|-----|---------|
| 21 | 663-14159-00-00 | ..CLIP | 1 | |
| 22 | 6H4-14548-00-00 | ..PIN, FLOAT ARM | 1 | |
| 23 | 98580-04008-00 | ..SCREW, PAN HEAD | 1 | |
| 24 | 98980-03006-00 | ..SCREW, BIND | 2 | |
| 25 | 95380-03600-00 | ..NUT | 2 | |
| 26 | 97980-04125-00 | ..SCREW, WITH WASHER | 4 | |
| 27 | 6G1-24452-00-00 | ..COVER | 1 | |
| 28 | 63V-24411-00-00 | ..DIAPHRAGM | 1 | |
| 29 | 6G1-24412-01-00 | ..BODY 1 | 1 | |
| 30 | 6G1-24411-00-00 | ..DIAPHRAGM | 1 | |
| 31 | 6G1-24431-01-00 | ..GASKET, FUEL PUMP 1 | 1 | |
| 32 | 6L5-24421-00-00 | ..VALVE, CHECK | 2 | |
| 33 | 98580-04006-00 | ..SCREW, PAN HEAD | 1 | |
| 34 | 6N0-1432A-00-00 | ..PLUG | 1 | |


63V3100-C050