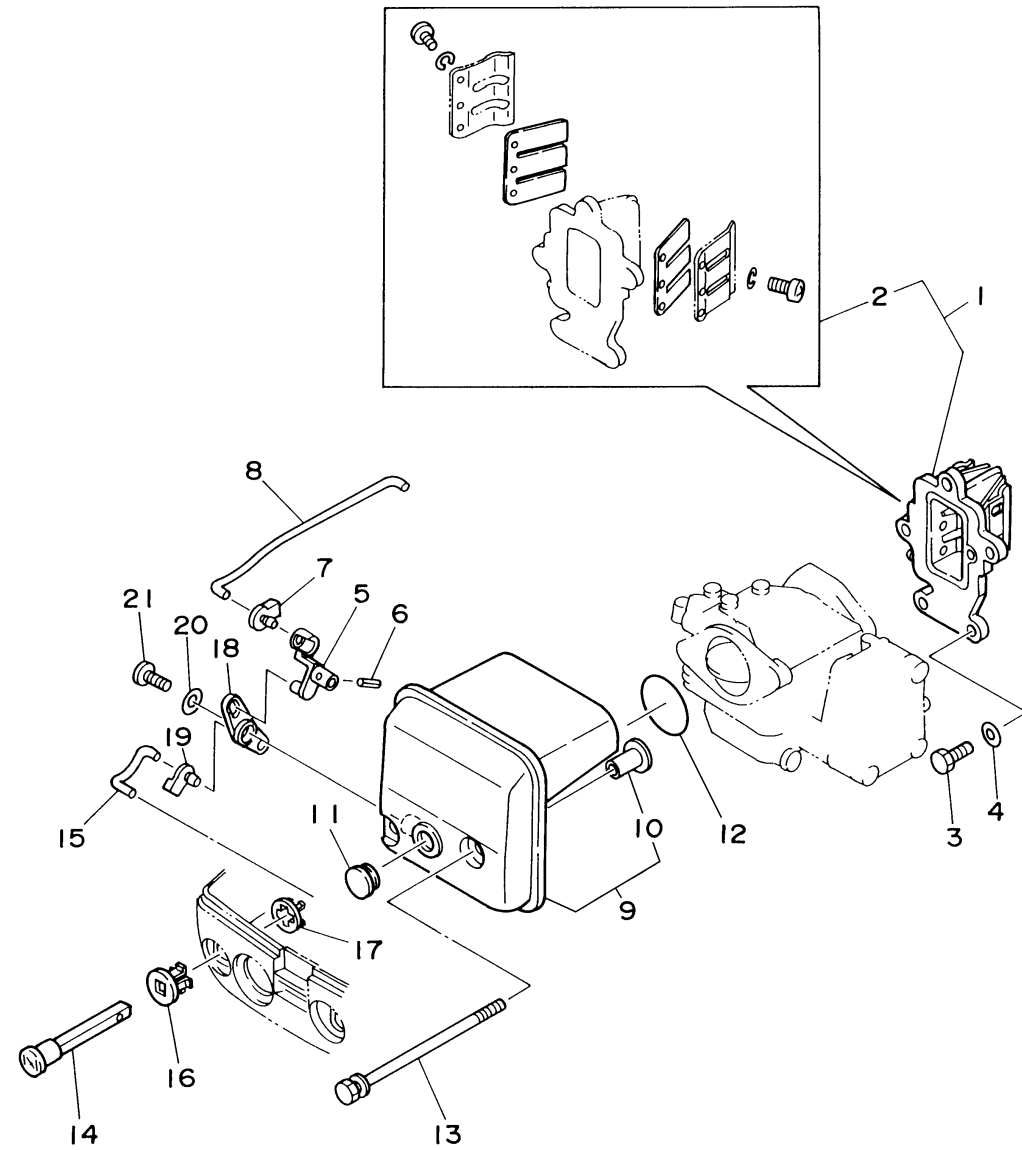


INTAKE



Ref No.	Part Number	Description	Qty	Remarks
1	63W-13610-00-00	REED VALVE ASSY	1	
2	682-W0004-00-00	. .REED SET	1	
3	97095-06020-00	BOLT	3	
4	92995-06600-00	WASHER	3	
5	63V-41253-00-00	LEVER, CHOKE	1	
6	91690-20010-00	PIN, SPRING	1	
7	63V-41262-00-00	JOINT, CHOKE LEVER	1	
8	63V-41257-00-00	ROD, CHOKE 2	1	
9	63V-14440-00-00	SILENCER ASSY, INTAKE	1	
10	90387-06M15-00	. COLLAR	2	
11	90480-12M25-00	GROMMET	1	
12	93210-35M86-00	.O-RING	1	
13	90119-06M94-00	BOLT, WITH WASHER	2	
14	6H4-41271-01-00	KNOB, CHOKE	1	
15	63V-41256-00-00	ROD, CHOKE 1	1	
16	689-41273-00-00	GROMMET	1	
17	6J8-41274-00-00	GROMMET 2	1	
18	63V-41252-00-00	LEVER, CHOKE 1	1	
19	661-41262-02-00	JOINT, CHOKE LEVER	1	
20	90201-05M09-00	WASHER, PLATE	1	

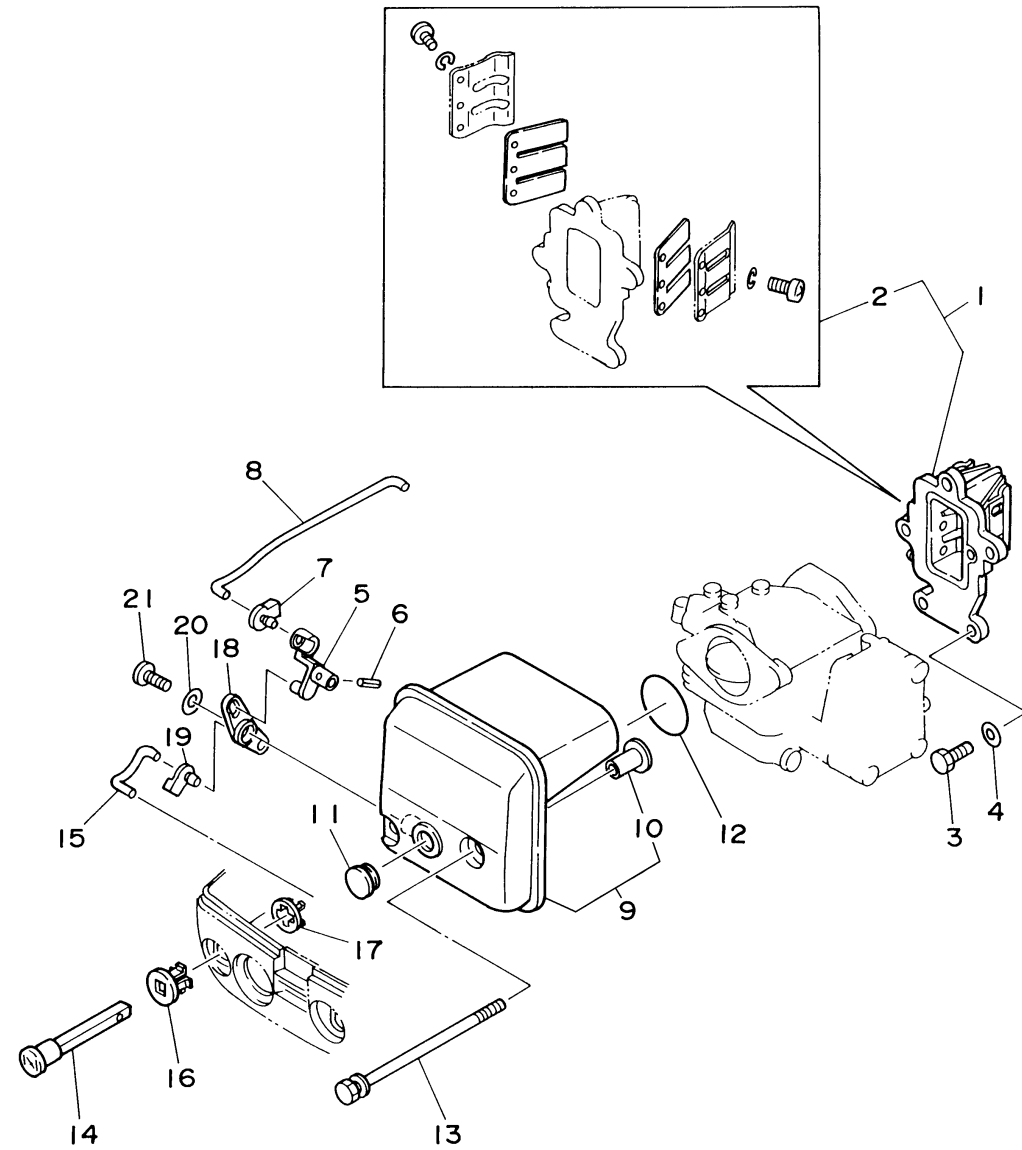
CONTINUED ON NEXT FRAME >



63V0010-5041

INTAKE

Ref No.	Part Number	Description	Qty	Remarks
21	90164-05M03-00	SCREW, TAPPING	1	



63V0010-5041