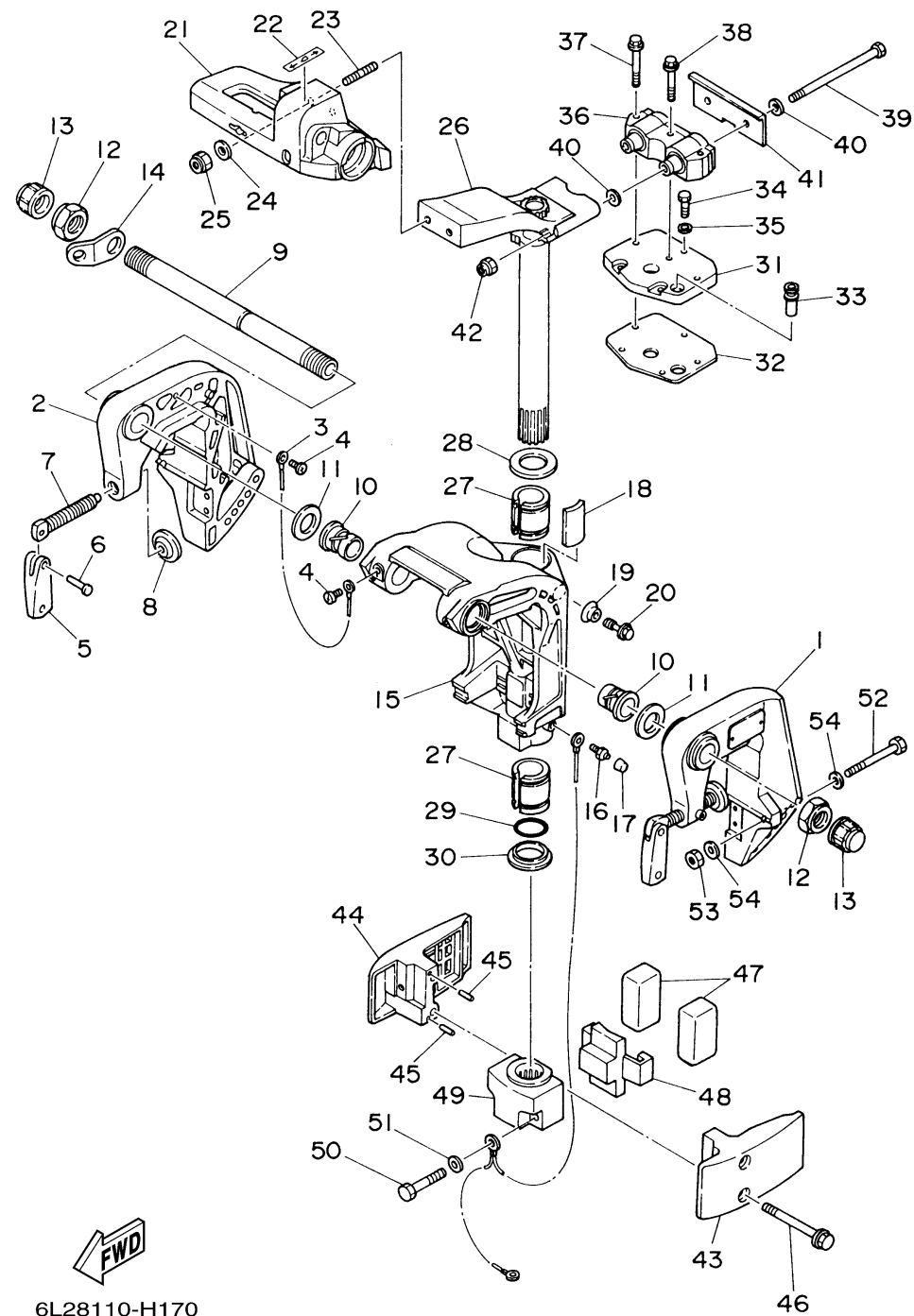


# BRACKET 1

Ref No.	Part Number	Description	Qty	Remarks
1	6L2-43111-05-4D	BRACKET, CLAMP 1	1	
2	6L2-43112-06-4D	BRACKET, CLAMP 2	1	
3	6E5-82148-00-00	WIRE, LEAD 4	1	
4	97885-06008-00	SCREW, PAN HEAD	2	
5	6E0-43118-01-00	HANDLE, TRANSOM CLAMP	2	
6	90243-04M01-00	PIN	2	
7	6L2-43116-00-00	SCREW, TRANSOM CLAMP	2	
8	648-43114-01-00	PAD, TRANSOM CLAMP	2	
9	6J8-43131-01-00	BOLT, CLAMP BRACKET	1	
10	90386-22M67-00	BUSH	2	
11	90201-22M03-00	WASHER, PLATE	2	
12	90185-22043-00	NUT, SELF-LOCKING	2	
13	6G5-43145-01-00	CAP, CLAMP BRACKET	2	
14	6J8-43113-01-00	PLATE, CLAMP BRACKET	1	
15	6L2-43311-05-4D	BRACKET, SWIVEL 1	1	
16	93700-06M03-00	NIPPLE, GREASE	1	
17	663-45119-00-00	CAP, GREASE NIPPLE	1	AP
18	6H4-42528-00-00	PLATE, FRICTION	1	
19	689-43373-01-00	SEAL, DAMPER	1	
20	90105-06M18-00	BOLT, FLANGE	1	

CONTINUED ON NEXT FRAME >

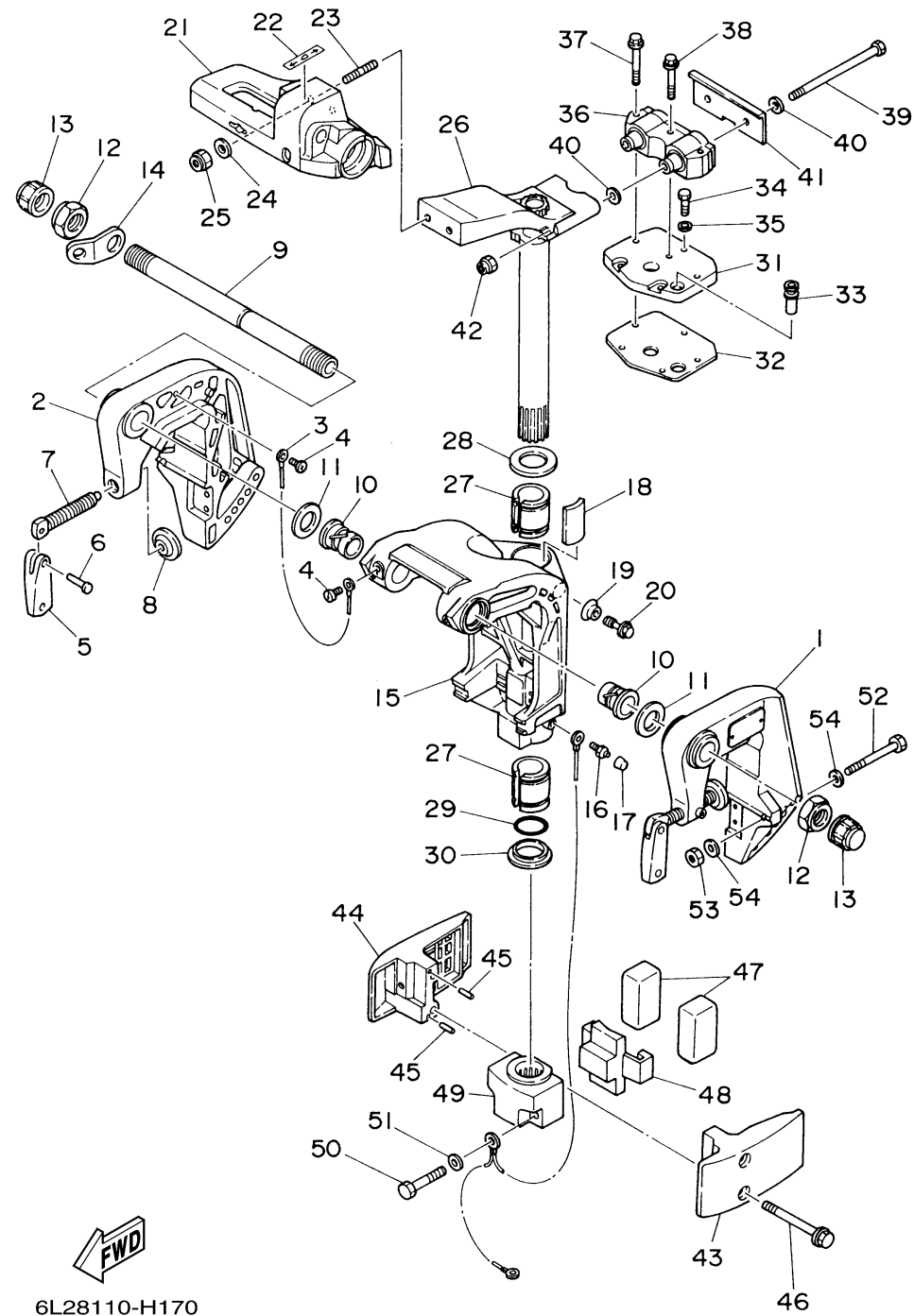


6L28110-H170

# BRACKET 1

Ref No.	Part Number	Description	Qty	Remarks
21	6L2-42121-03-4D	BRACKET	1	
22	6E0-44191-11-00	INDICATOR, SHIFT	1	
23	90116-10M28-00	BOLT, STUD	2	
24	92995-10600-00	WASHER	2	
25	90185-10051-00	NUT, SELF-LOCKING	2	
26	6L2-42510-01-4D	STEERING BRACKET ASSY	1	
27	90386-30M75-00	BUSH	2	
28	90201-30M00-00	WASHER, PLATE	1	
29	93210-29375-00	.O-RING	1	
30	90386-30M60-00	BUSH	1	
31	6L2-44512-00-4D	COVER, UPPER MOUNT	1	
32	6L2-45114-A1-00	GASKET, UPPER CASING	1	
33	6L2-44365-00-00	DAMPER, WATER SEAL	1	
34	97095-06020-00	BOLT	3	
35	92995-06600-00	WASHER	3	
36	6L2-44514-01-00	MOUNT DAMPER, UPPER SIDE	1	
37	90119-06M04-00	BOLT, WITH WASHER	2	
38	90119-06M05-00	BOLT, WITH WASHER	1	
39	90101-08M09-00	BOLT	2	
40	90201-08M01-00	.WASHER, PLATE	4	

CONTINUED ON NEXT FRAME >



# BRACKET 1

Ref No.	Part Number	Description	Qty	Remarks
41	6L2-44526-00-00	PLATE	1	
42	90185-08057-00	.NUT, SELF-LOCKING	2	
43	6L2-44551-01-4D	HOUSING, LOWER MOUNT RUBBER	1	
44	6L2-44552-01-4D	HOUSING, LOWER MOUNT RUBBER	1	
45	93604-12M07-00	PIN, DOWEL	2	
46	97595-08585-00	BOLT, WITH WASHER	2	
47	6L2-44555-00-00	MOUNT DAMPER, LOWER SIDE	2	
48	6L2-44557-00-00	MOUNT DAMPER, LOWER FRONT	1	
49	6L2-44553-01-4D	COVER, LOWER MOUNT	1	
50	97095-08045-00	.BOLT	2	
51	92995-08600-00	WASHER	2	
52	97095-08070-00	BOLT	2	AP
53	95380-08600-00	NUT	4	AP
54	92995-08600-00	WASHER	4	AP