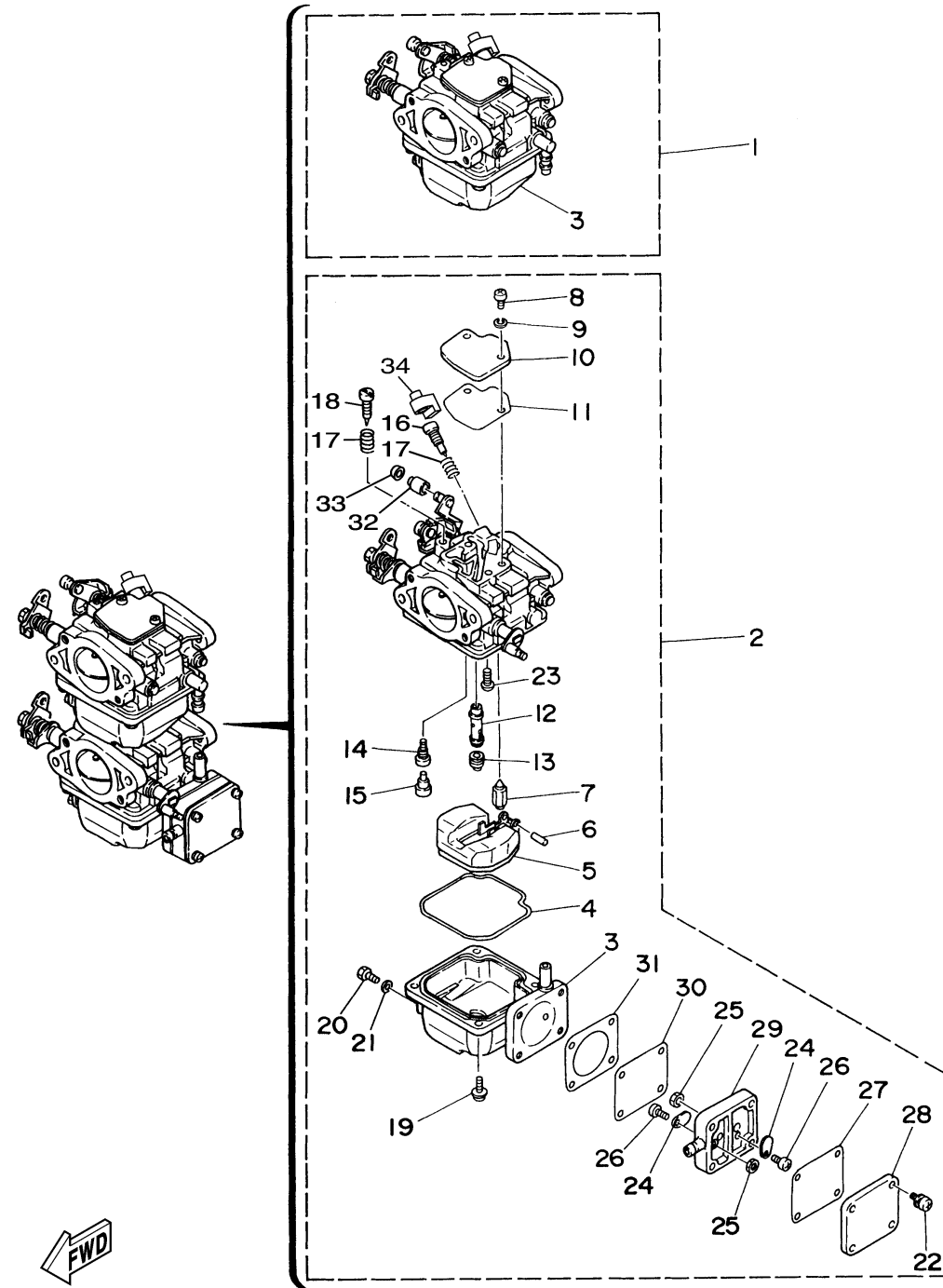


CARBURETOR

Ref No.	Part Number	Description	Qty	Remarks
1	6L2-14301-11-00	CARBURETOR ASSY 1	1	#1
2	6L2-14302-11-00	CARBURETOR ASSY 2	1	#2
3	6L2-14381-00-00	. BODY, FLOAT CHAMBER 1	1	#1
3	6L2-14383-00-00	. SCREW, DRAIN	1	#2
4	6L2-14384-00-00	. GASKET, FLOAT CHAMBER	2	
5	6L2-14385-00-00	. FLOAT	2	
6	6E5-14386-01-00	. PIN, FLOAT	2	
7	6L2-14392-00-00	. VALVE	2	
8	97880-04010-00	. .SCREW, PAN HEAD	4	
9	92900-04100-00	. .WASHER	4	
10	6L2-14157-00-00	. COVER, MIXING	2	
11	6L2-14399-00-00	. GASKET	2	
12	6L2-14341-00-00	. NOZZLE, MAIN	2	
13	30X-14343-63-00	. JET, MAIN (125)	2	
14	6L2-14342-30-00	. JET, PILOT (60)	2	
15	50M-14355-00-00	. .PLUG	2	
16	6L2-14323-11-00	. .SCREW, AIR ADJUSTING	2	
17	646-14212-01-00	. SPRING, PILOT ADJUSTING	4	
18	664-14321-01-00	. .SCREW, THROTTLE	2	
19	97980-04112-00	. SCREW, WITH WASHER	8	

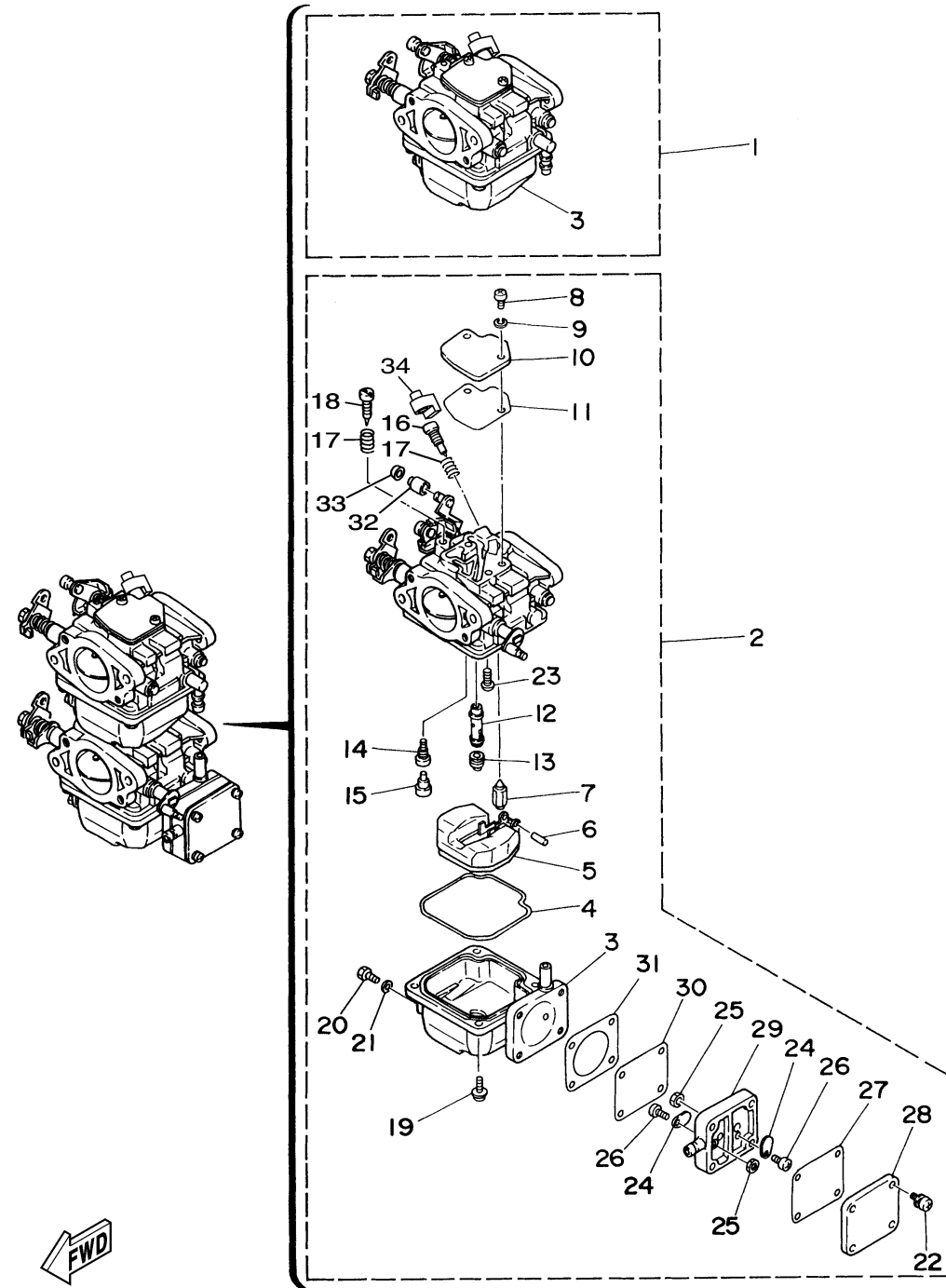
CONTINUED ON NEXT FRAME >



6L28110-H050

CARBURETOR

Ref No.	Part Number	Description	Qty	Remarks
20	677-14383-01-00	. SCREW, DRAIN	2	
21	6L2-14398-00-00	. GASKET	2	
22	677-24444-01-00	. SCREW	4	
23	98980-04006-00	. SCREW, BIND	2	
24	6A0-24421-01-00	. VALVE, CHECK	2	
25	95380-03600-00	. NUT	2	
26	6E7-14325-00-00	. SCREW, PAN HEAD	2	
27	6L2-24435-00-00	. GASKET, BODY 2	1	
28	6L2-24413-00-00	. BODY 2	1	
29	682-24412-01-00	. BODY 1	1	
30	677-24411-02-00	. DIAPHRAGM	1	
31	677-24434-02-00	. GASKET, BODY	1	
32	6L2-14578-01-00	. COLLAR	1	#2
33	6L2-14584-00-00	. STOPPER	1	#2
34	6L2-14118-00-00	. CAP	2	



6L28110-H050