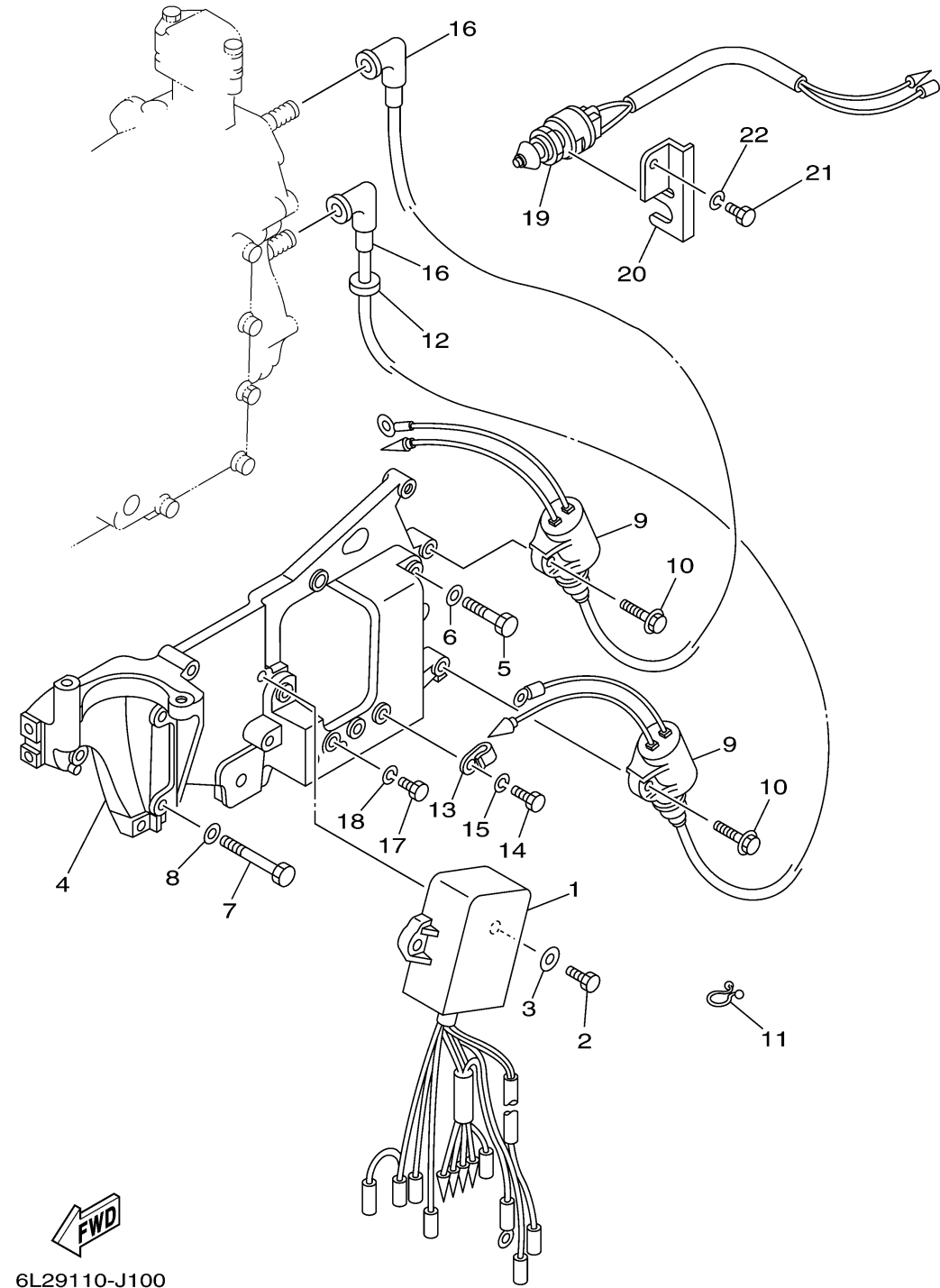


# ELECTRICAL 1



Ref No.	Part Number	Description	Qty	Remarks
1	6L2-85540-23-00	C.D.I. UNIT ASSY	1	
2	97095-06020-00	BOLT	2	
3	92995-06600-00	WASHER	2	
4	6L2-85542-02-94	BRACKET	1	
5	97075-06030-00	BOLT	3	
6	92995-06600-00	WASHER	3	
7	90101-06M16-00	BOLT	2	
8	92903-06600-00	WASHER, PLATE	2	
9	61N-85570-00-00	IGNITION COIL ASSY	2	
10	97595-06420-00	BOLT, WITH WASHER	2	
11	90464-05M16-00	CLAMP	1	
12	90480-25161-00	GROMMET	1	
13	90465-06M90-00	CLAMP	1	
14	97095-06012-00	.BOLT	1	
15	92995-06100-00	WASHER, SPRING	1	
16	663-82370-01-00	PLUG CAP ASSY	2	
17	97095-06012-00	.BOLT	2	
18	92995-06100-00	WASHER, SPRING	2	
19	6H3-82540-01-00	NEUTRAL SWITCH ASSY	0	
20	6L2-82554-01-00	STAY, NEUTRAL SWITCH	0	

CONTINUED ON NEXT FRAME >

# ELECTRICAL 1

Ref No.	Part Number	Description	Qty	Remarks
21	97095-06012-00	.BOLT	0	
22	92995-06100-00	WASHER, SPRING	0	

