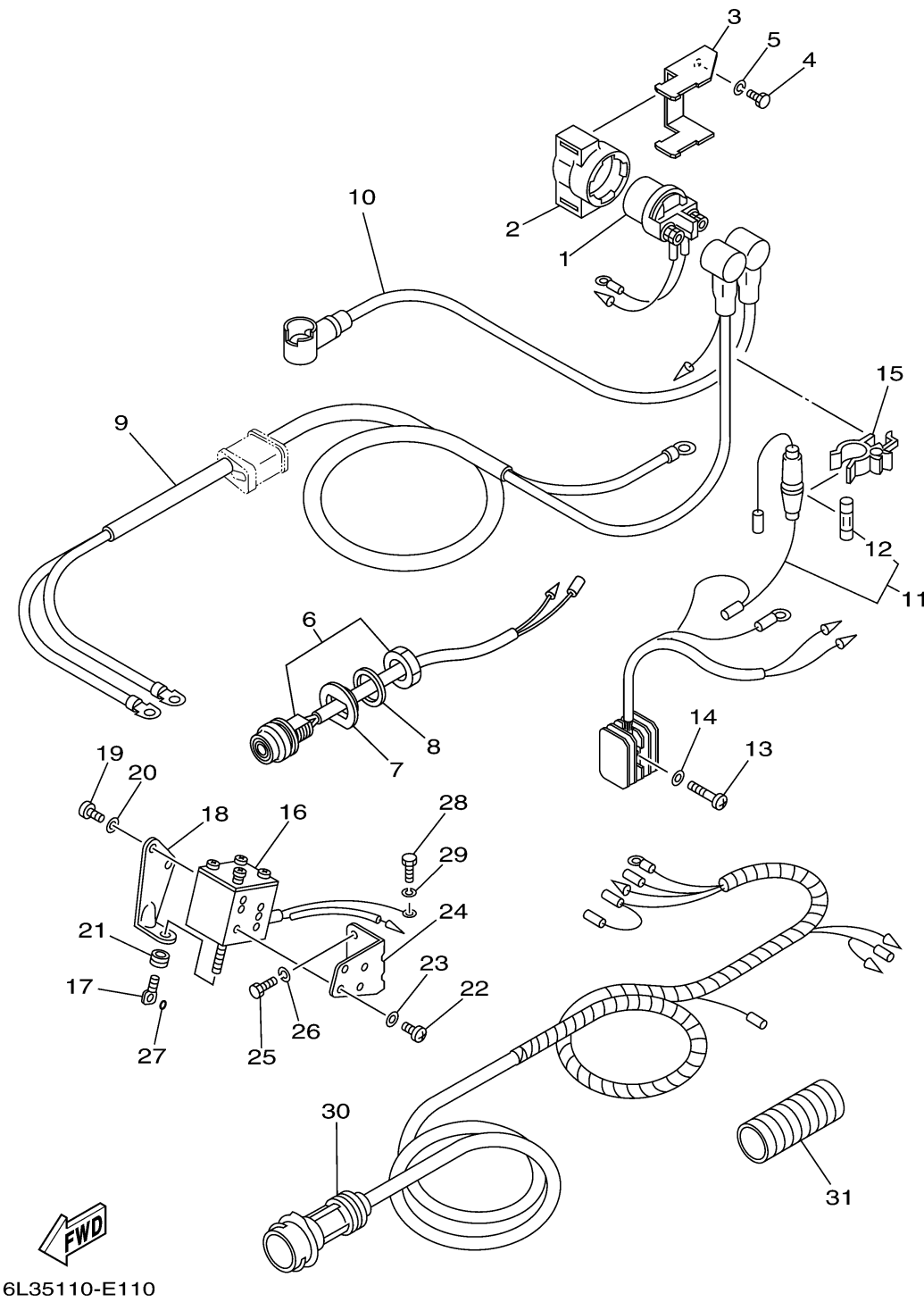


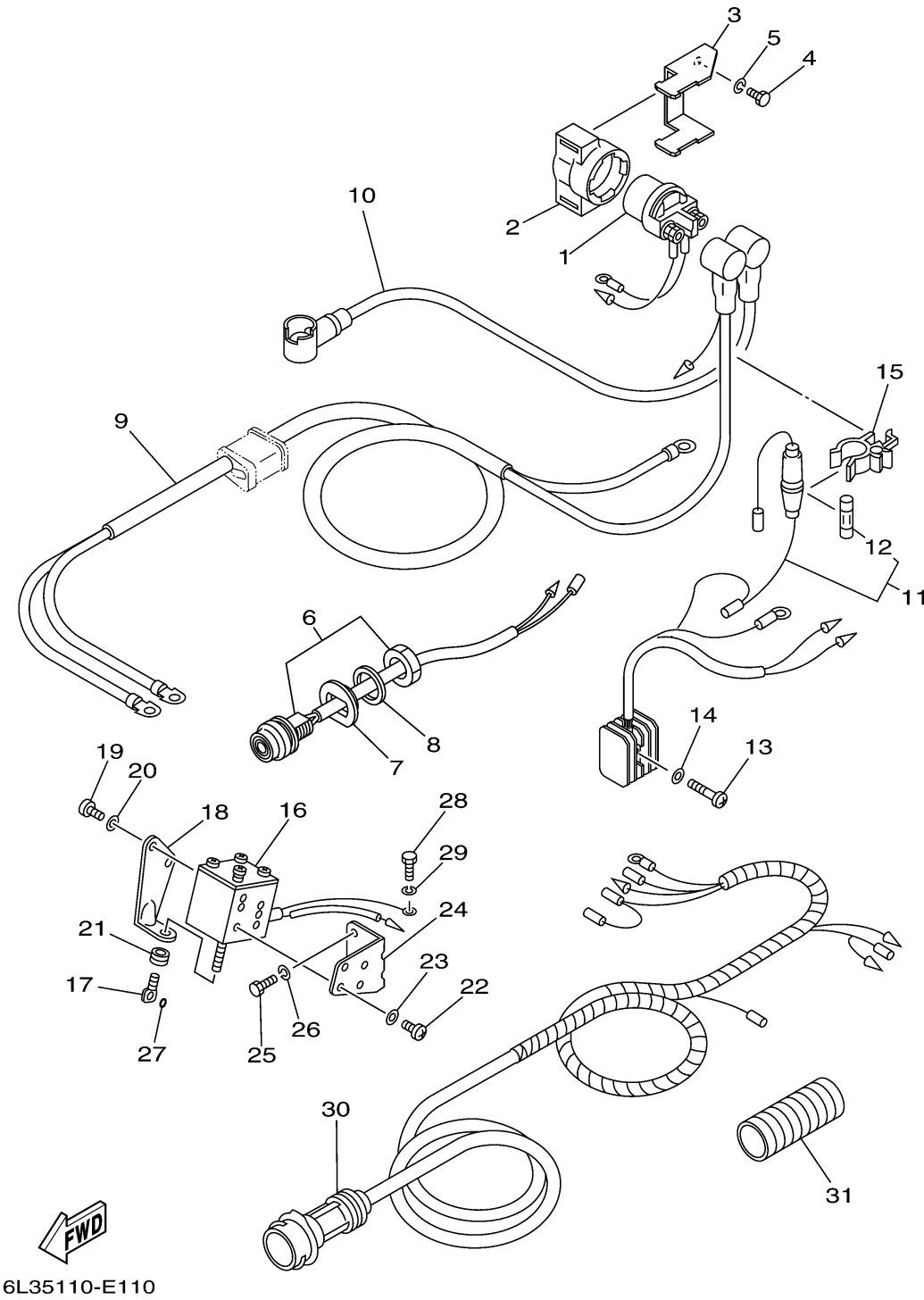
ELECTRICAL 2



Ref No.	Part Number	Description	Qty	Remarks
1	6G1-81941-10-00	STARTER RELAY ASSY	0	
2	6G1-81952-00-00	HOLDER, RELAY	0	
3	6L2-81945-00-00	PLATE, SWITCH FITTING	0	
4	97095-06012-00	.BOLT	0	
5	92995-06100-00	WASHER, SPRING	0	
6	689-81870-00-00	STARTING SWITCH ASSY	0	
7	6L2-84387-00-00	HOLDER	0	
8	90202-17M35-00	WASHER, PLATE	0	
9	6G1-82105-01-00	BATTERY CABLE	0	
10	6G1-82117-00-00	WIRE, LEAD	0	
11	6G1-81970-62-00	RECTIFIER ASSY	0	
12	6G1-82151-00-00	. . FUSE (10A)	0	
13	97880-05025-00	.SCREW, PAN HEAD	0	
14	92990-05600-00	WASHER, PLATE	0	
15	6G5-82152-00-00	HOLDER, FUSE	0	
16	6L2-86111-00-00	COIL, SOLENOID	0	
17	682-86117-00-00	HOOK, WIRE PULL	0	
18	6L2-86115-00-00	HOLDER, SOLENOID	0	
19	97880-05008-00	SCREW, PAN HEAD	0	
20	92990-05600-00	WASHER, PLATE	0	

CONTINUED ON NEXT FRAME >

ELECTRICAL 2



Ref No.	Part Number	Description	Qty	Remarks
21	90480-10155-00	GROMMET	0	
22	97880-04008-00	SCREW, PAN HEAD	0	
23	92990-04600-00	WASHER, PLATE	0	
24	6L2-86112-00-00	STAY, SOLENOID	0	
25	97095-06012-00	.BOLT	0	
26	92995-06100-00	WASHER, SPRING	0	
27	93210-03261-00	O-RING	0	
28	97095-06012-00	.BOLT	0	
29	92995-06100-00	WASHER, SPRING	0	
30	6L2-82590-00-00	WIRE HARNESS ASSY	0	
31	6K3-83557-00-00	TUBE	0	