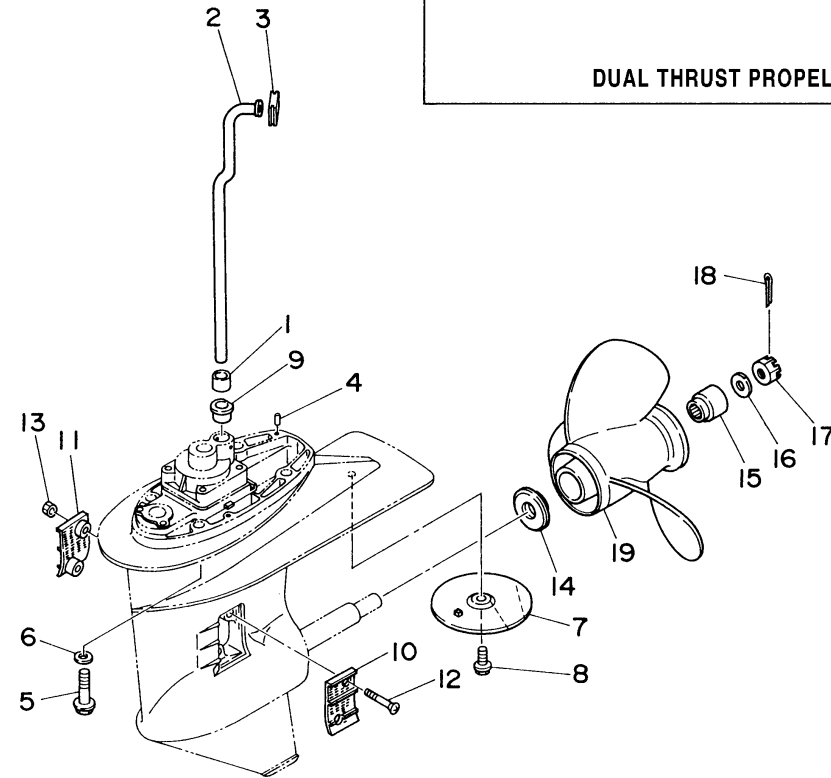
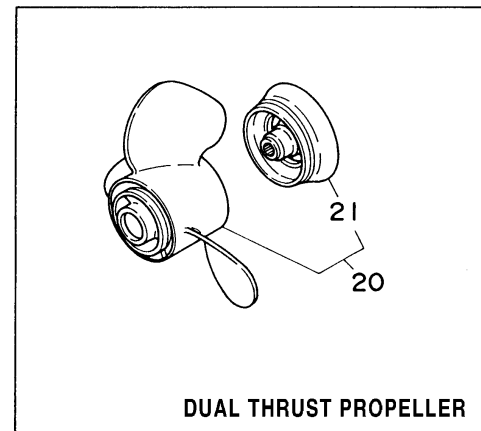


LOWER CASING DRIVE 2

| Ref No. | Part Number | Description | Qty | Remarks |
|---------|-----------------|---------------------------|-----|----------|
| 1 | 6L2-44368-00-00 | RUBBER, WATER SEAL 4 | 1 | |
| 2 | 6L2-44361-10-00 | TUBE, WATER | 0 | L(21.5") |
| 2 | 6L2-44361-00-00 | TUBE, WATER | 1 | S(16.5") |
| 3 | 6L2-44366-00-00 | DAMPER, WATER SEAL | 1 | |
| 4 | 93604-12M07-00 | PIN, DOWEL | 2 | |
| 5 | 90105-10M12-00 | BOLT, FLANGE | 4 | |
| 6 | 92995-10600-00 | WASHER | 4 | |
| 7 | 664-45371-01-00 | TAB-TRIM | 1 | |
| 8 | 90105-08M02-00 | BOLT, FLANGE | 1 | |
| 9 | 6L2-44367-00-00 | .DAMPER, WATER SEAL 3 | 1 | |
| 10 | 6L2-45214-00-00 | COVER, WATER INLET 1 | 1 | |
| 11 | 6L2-45215-00-00 | COVER, WATER INLET 2 | 1 | |
| 12 | 90151-05M05-00 | SCREW, COUNTERSUNK | 2 | |
| 13 | 90185-05002-00 | NUT, NYLON | 2 | |
| 14 | 6L2-45987-01-00 | SPACER 1 | 1 | |
| 15 | 689-45997-00-00 | SPACER 2 | 1 | |
| 16 | 92990-14200-00 | WASHER, PLAIN | 1 | |
| 17 | 90171-14013-00 | NUT, CASTLE | 1 | |
| 18 | 91490-30022-00 | PIN. COTTER | 1 | |
| 19 | 664-45941-01-EL | PROPELLER (3X9-7/8"X9"-F) | 1 | UR |

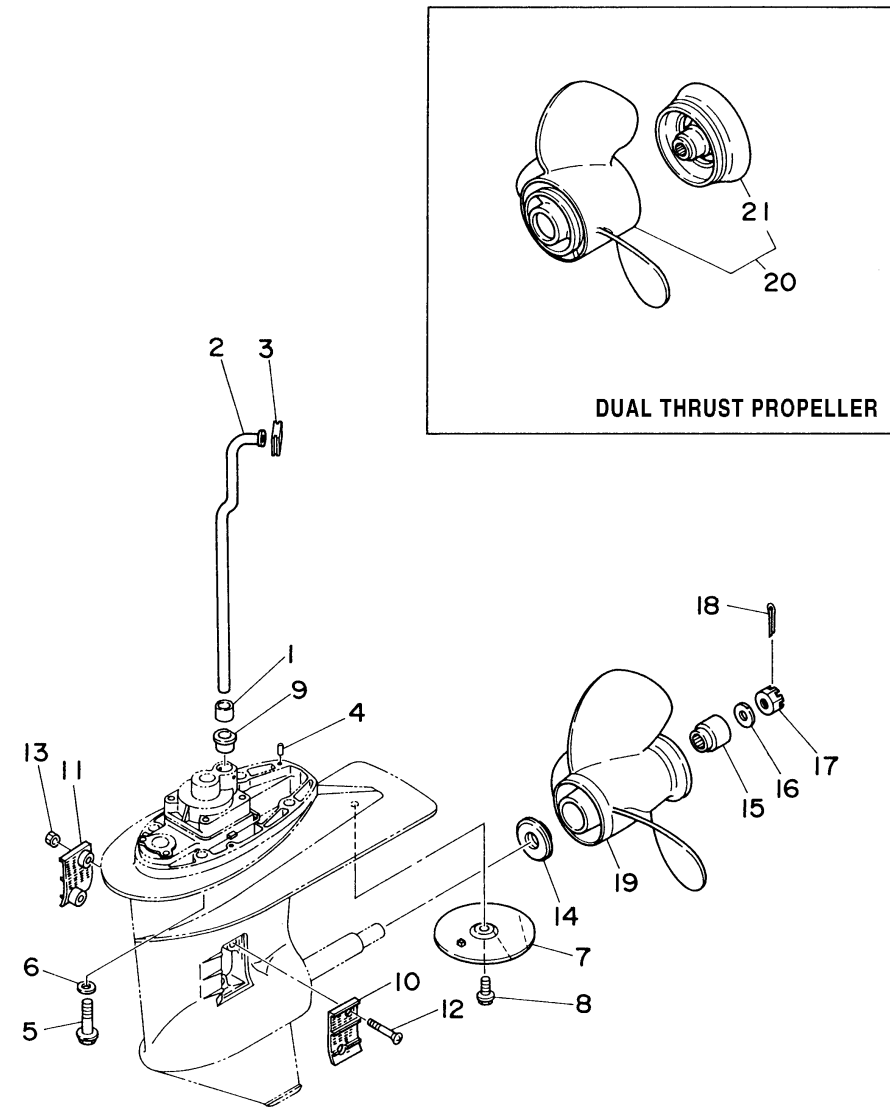
CONTINUED ON NEXT FRAME >



6L20010-4200

LOWER CASING DRIVE 2

| Ref No. | Part Number | Description | Qty | Remarks |
|---------|-----------------|--------------------------------|-----|---------|
| 19 | 664-45954-01-EL | PROPELLER (3X9-7/8"X12"-F) | 1 | UR |
| 19 | 664-45970-00-98 | PROPELLER (3X9-1/8"X13"-F) | 1 | UR |
| 19 | 664-45943-01-EL | PROPELLER (3X9-7/8"X8"-F) | 1 | UR |
| 19 | 664-45972-00-98 | PROPELLER (3X9-1/8"X12"-F) | 1 | UR |
| 19 | 664-45952-00-EL | PROPELLER (3X9-7/8"X14"-F) | 1 | UR |
| 19 | 664-45949-02-EL | PROPELLER (3X9-7/8"X13"-F) | 1 | UR |
| 19 | 664-45947-01-EL | PROPELLER (3X9-7/8"X11-1/4"-F) | 1 | UR |
| 19 | 664-45945-00-EL | PROPELLER (3X9-7/8"X10-1/2"-F) | 1 | UR |
| 20 | 6J8-W4591-00-EL | PROPELLER (3X10-5/8X8-1/4-F) | 1 | |
| 21 | 6J8-45986-10-98 | .RING, DEFLECTOR | 1 | |



6L20010-4200