

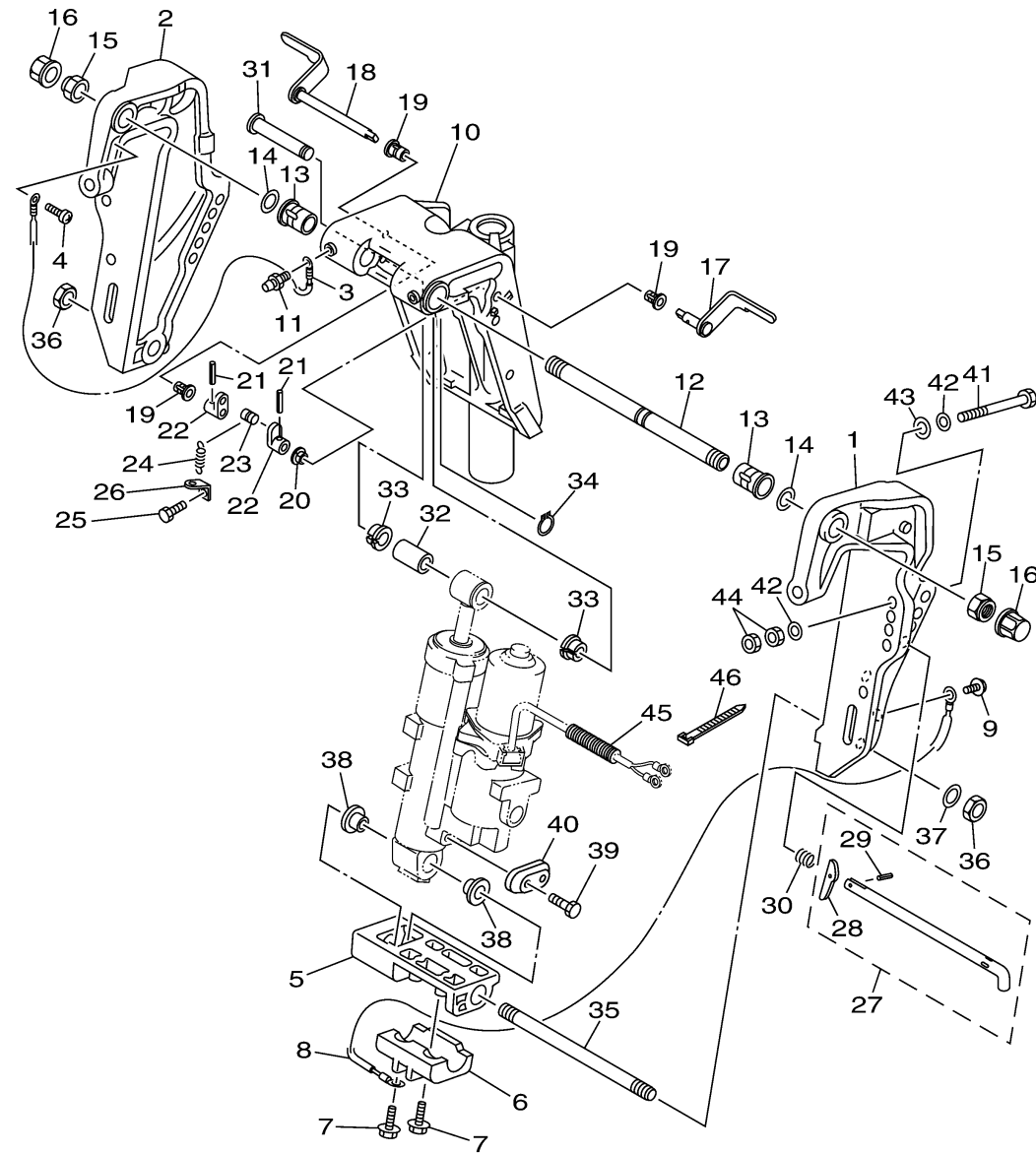
BRACKET 1

Ref No.	Part Number	Description	Qty	Remarks
1	63D-43111-01-4D	BRACKET, CLAMP 1	1	
2	63D-43112-01-4D	BRACKET, CLAMP 2	1	
3	63D-82148-00-00	WIRE, LEAD 4	1	
4	97885-06008-00	SCREW, PAN HEAD	1	
5	63D-43128-01-4D	SPACER, CLAMP BRACKET	1	
6	63D-45251-01-00	ANODE	1	
7	97595-06425-00	BOLT, WITH WASHER	2	
8	6H1-82148-00-00	WIRE, LEAD 4	1	
9	97595-06510-00	BOLT, WITH WASHER	1	
10	63D-43311-13-4D	BRACKET, SWIVEL 1	1	
11	93700-06M03-00	NIPPLE, GREASE	3	
12	63D-43131-01-00	BOLT, CLAMP BRACKET	1	
13	90386-22M15-00	BUSH	2	
14	90201-22M03-00	WASHER, PLATE	2	
15	90185-22M11-00	NUT, SELF-LOCKING	2	
16	6G5-43145-01-00	CAP, CLAMP BRACKET	2	
17	6H5-43181-03-00	LEVER, TILT STOP	1	
18	6H5-43185-03-00	LEVER, TILT STOP	1	
19	90386-10M16-00	BUSH	3	
20	90386-10025-00	BUSH	1	

CONTINUED ON NEXT FRAME >


62XJ110-J150

BRACKET 1



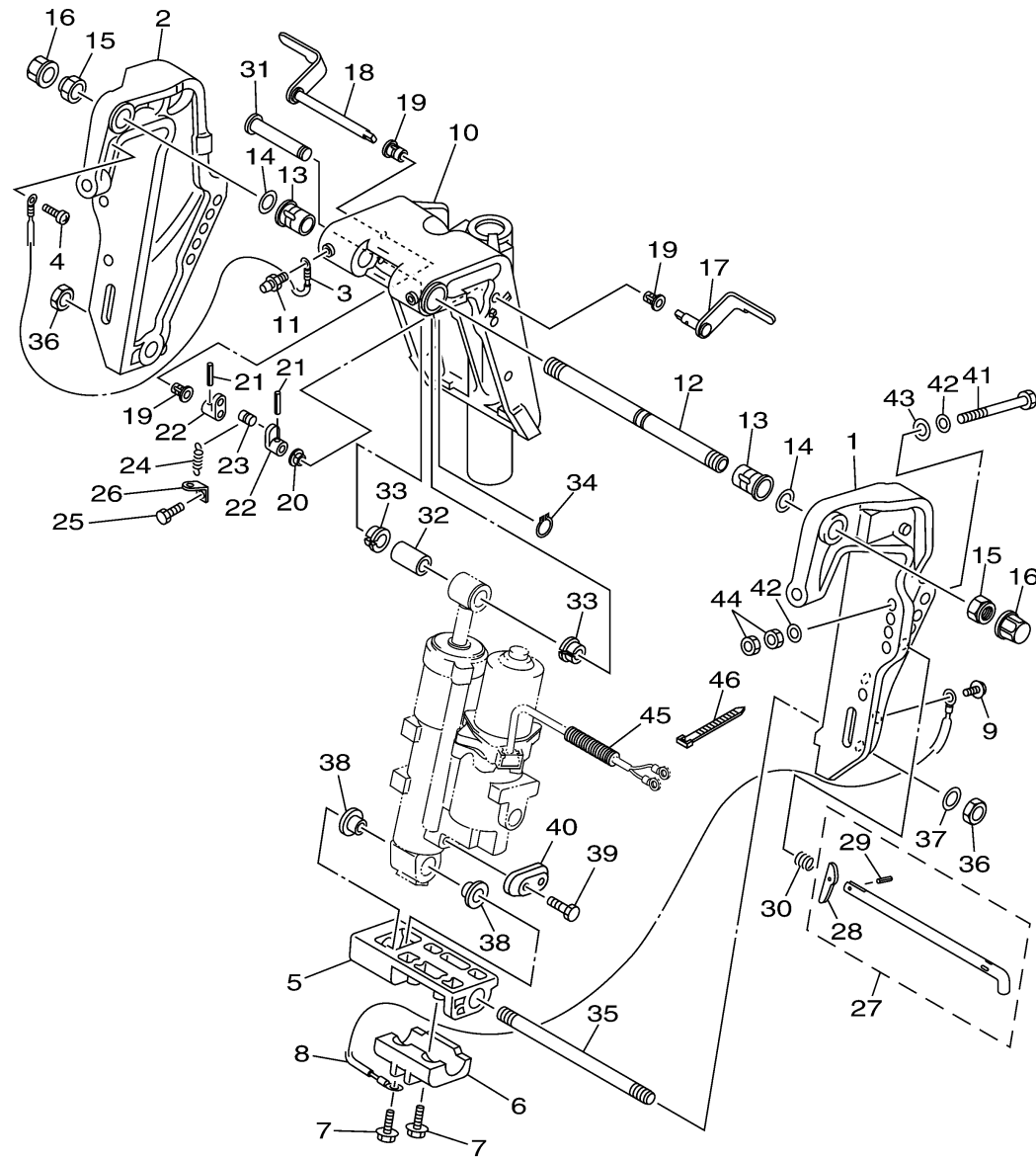
Ref No.	Part Number	Description	Qty	Remarks
21	91690-30020-00	PIN, SPRING	2	
22	6G5-43148-00-00	COLLAR, DISTANCE	2	
23	90249-06M19-00	PIN	1	
24	90506-14M24-00	SPRING, TENSION	1	
25	97095-06010-00	BOLT	1	
26	6G5-43144-00-00	HOOK, SPRING	1	
27	688-43160-01-00	TILT ROD ASSY	1	
28	688-43165-00-00	. .PLATE, TILT LOCK	1	
29	91690-30012-00	. PIN, SPRING	1	
30	90502-16M02-00	SPRING, CONICAL	1	
31	6E5-43126-02-00	PIN, UPPER SHOCK MOUNT	1	
32	90386-18M92-00	BUSH	1	
33	90386-18M35-00	BUSH	2	
34	93410-18M02-00	CIRCLIP	1	
35	90116-18M52-00	BOLT, STUD	1	
36	90170-18M10-00	NUT	2	
37	92995-18600-00	WASHER	1	
38	90386-18M44-00	BUSH	2	
39	90101-06020-00	BOLT	2	
40	65W-45251-00-00	ANODE	1	

CONTINUED ON NEXT FRAME >


62XJ110-J150

BRACKET 1

Ref No.	Part Number	Description	Qty	Remarks
41	90101-12M65-00	BOLT	4	
42	92995-12200-00	WASHER	8	
43	90201-12426-00	WASHER, PLATE	4	
44	95380-12600-00	NUT	8	
45	90440-14M00-00	PIPE	1	
46	90465-11M10-00	CLAMP	3	



62XJ110-J150