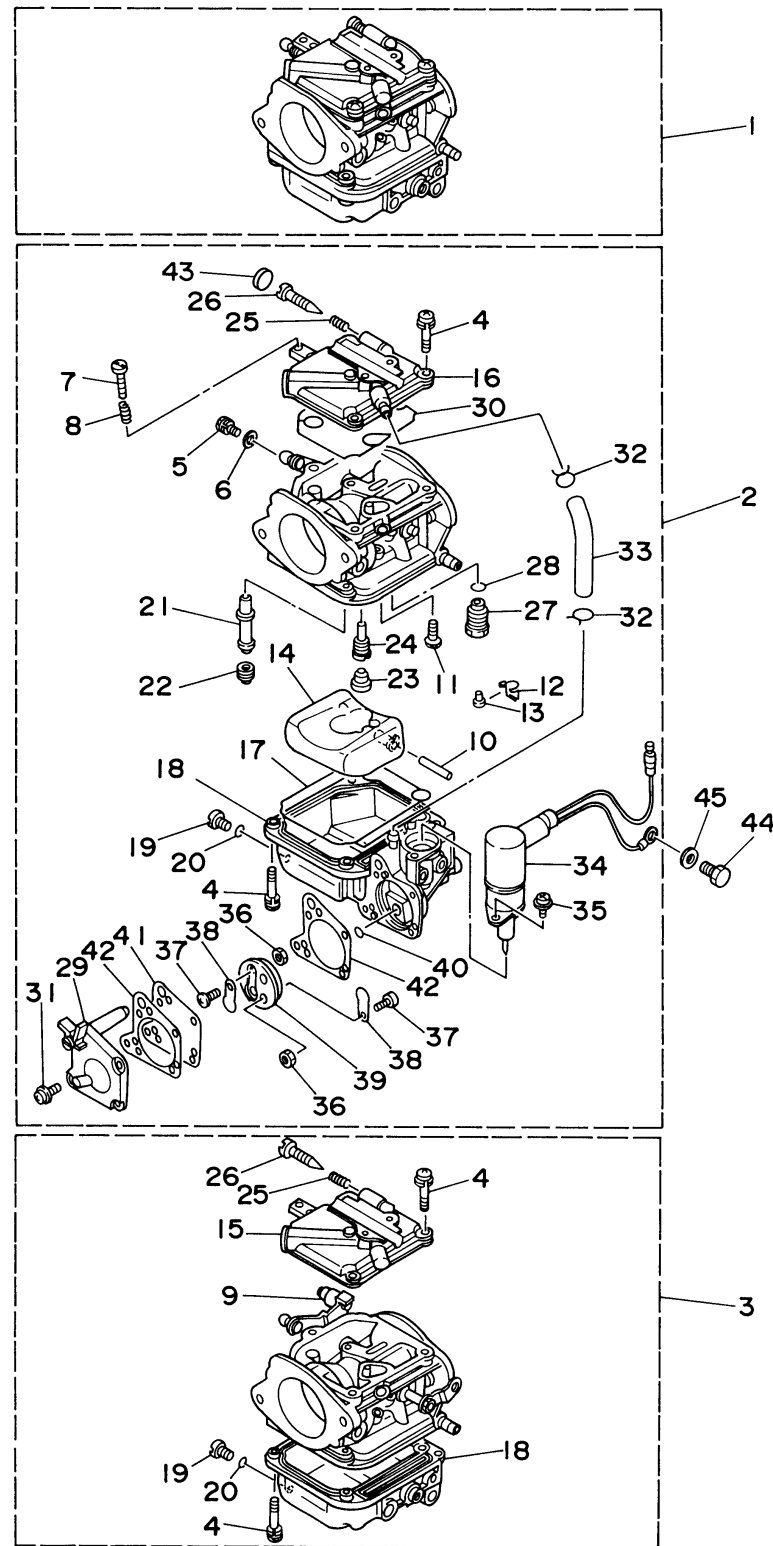


CARBURETOR

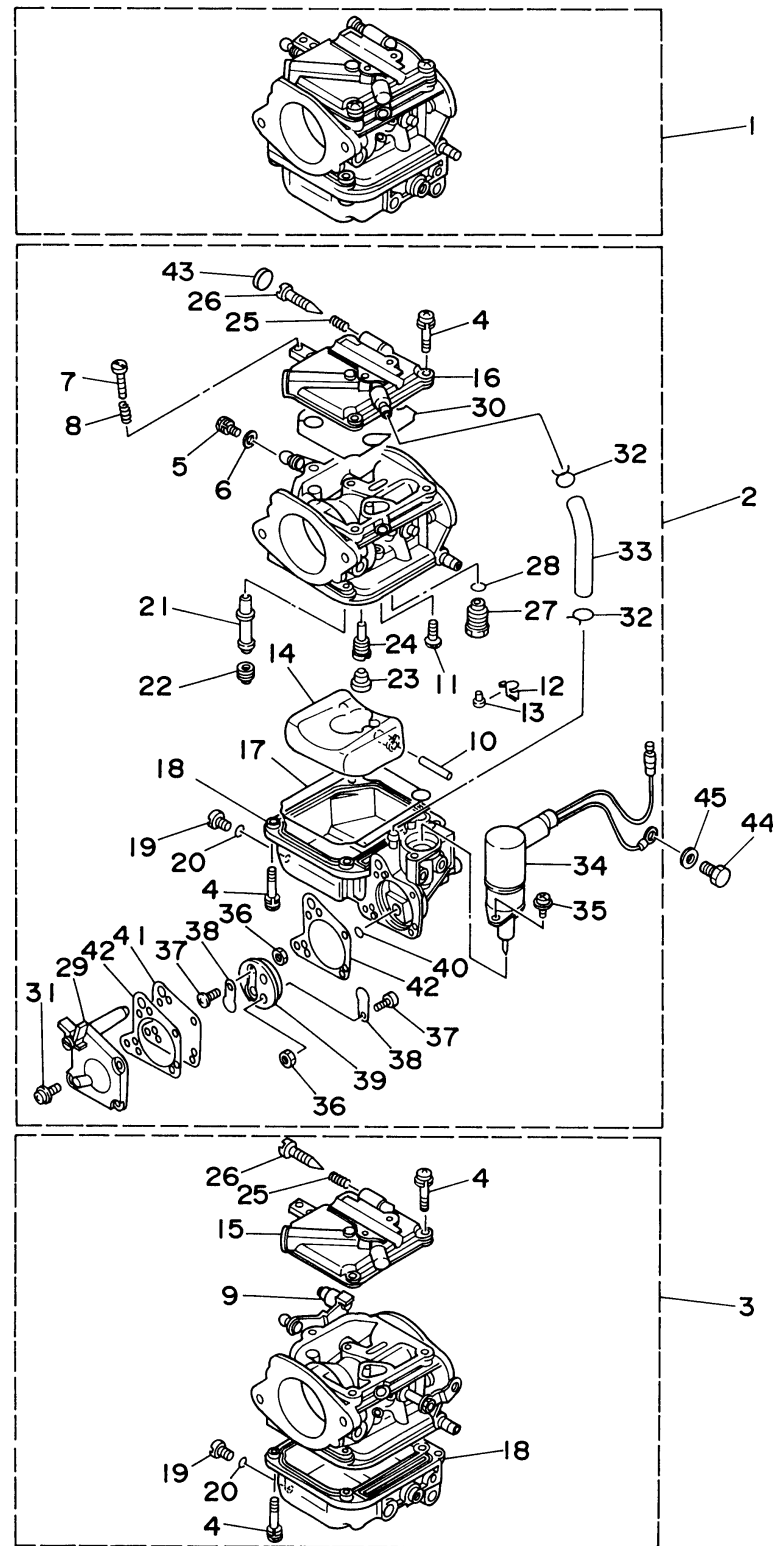


| Ref No. | Part Number | Description | Qty | Remarks |
|---------|-----------------|-------------------------|-----|---------|
| 1 | 62X-14301-10-00 | CARBURETOR ASSY 1 | 1 | |
| 2 | 62X-14302-10-00 | CARBURETOR ASSY 2 | 1 | |
| 3 | 62X-14303-10-00 | CARBURETOR ASSY 3 | 1 | |
| 4 | 97980-04114-00 | ..SCREW, WITH WASHER | 21 | |
| 5 | 6K5-14592-00-00 | ..SCREW | 3 | |
| 6 | 90201-05652-00 | ..WASHER, PLATE | 3 | |
| 7 | 63V-14523-00-00 | ..SCREW, STOP | 1 | #2 |
| 8 | 90501-10326-00 | ..SPRING, COMPRESSION | 1 | #2 |
| 9 | 6H2-14578-00-00 | ..COLLAR | 1 | #3 |
| 10 | 6H4-14548-00-00 | ..PIN, FLOAT ARM | 3 | |
| 11 | 98580-04008-00 | ..SCREW, PAN HEAD | 3 | |
| 12 | 663-14159-00-00 | ..CLIP | 3 | |
| 13 | 676-14186-00-00 | ..PIN, FLOAT | 3 | |
| 14 | 6H4-14985-01-00 | ..FLOAT | 3 | |
| 15 | 6H4-14146-30-00 | ..PLATE | 2 | #1, 3 |
| 16 | 6H3-14146-20-00 | ..PLATE | 1 | #2 |
| 17 | 6H4-14984-00-00 | ..GASKET, FLOAT CHAMBER | 3 | |
| 18 | 6H3-14980-10-00 | ..BODY, FLOAT CHAMBER | 1 | #2 |
| 18 | 6H4-14980-00-00 | ..BODY, FLOAT CHAMBER | 2 | #1, 3 |
| 19 | 6H3-14992-00-00 | ..SCREW, DRAIN | 3 | |

CONTINUED ON NEXT FRAME >


62X6100-C050

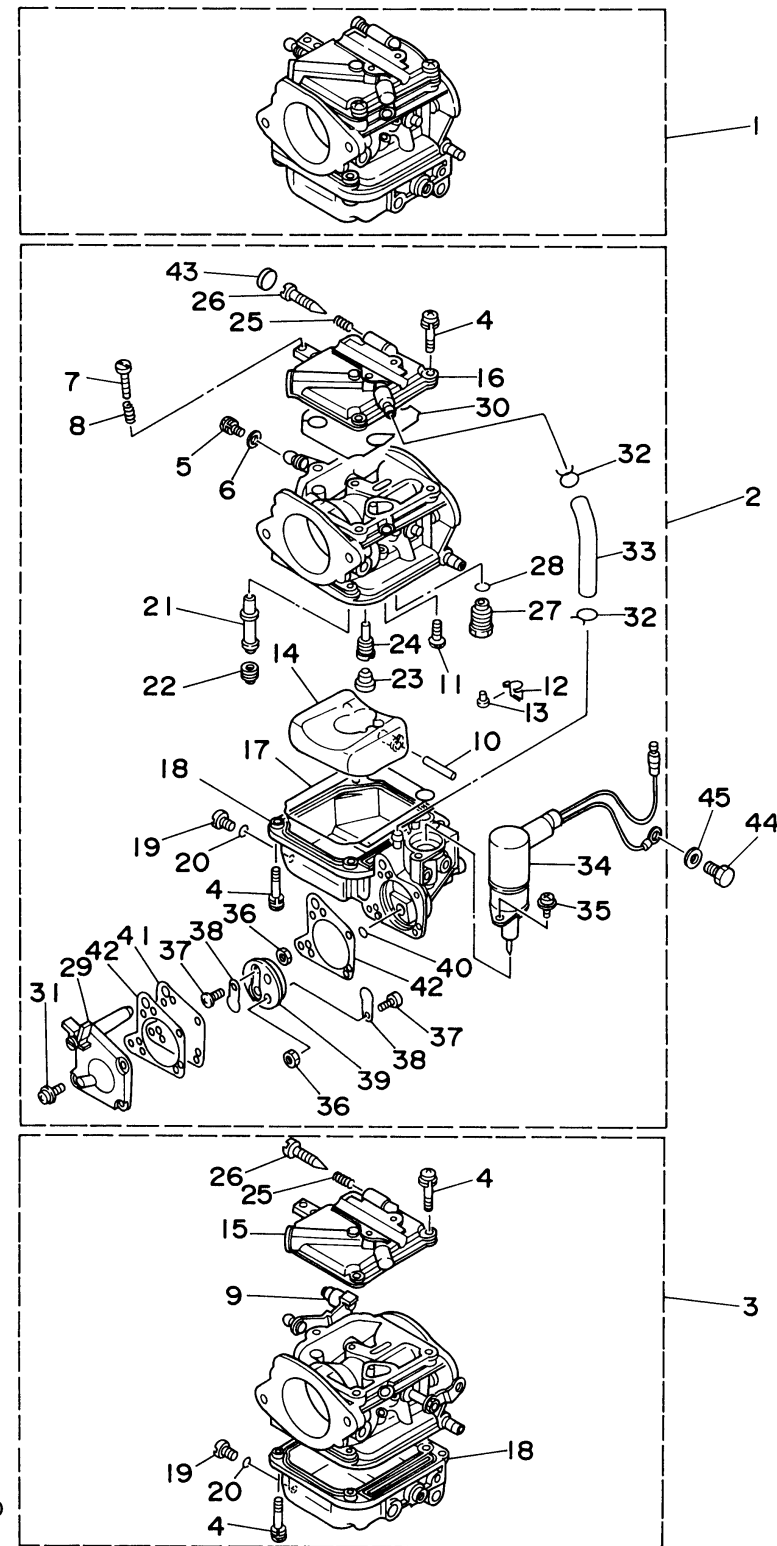
CARBURETOR



| Ref No. | Part Number | Description | Qty | Remarks |
|---------|-----------------|----------------------|-----|---------|
| 20 | 93210-04230-00 | . O-RING | 3 | |
| 21 | 62X-14947-00-00 | ..JET, NEEDLE | 3 | |
| 22 | 676-14943-33-00 | ..JET, MAIN (#130) | 3 | |
| 23 | 676-14966-00-00 | . CAP | 3 | |
| 24 | 6H4-14948-12-00 | ..JET (#62) | 3 | |
| 25 | 679-14555-00-00 | ..SPRING | 3 | |
| 26 | 692-14923-00-00 | . SCREW, PILOT | 3 | |
| 27 | 6H4-14590-01-00 | ..NEEDLE VALVE ASSY | 3 | |
| 28 | 93210-04228-00 | . O-RING | 3 | |
| 29 | 6H3-24452-10-00 | ..COVER | 1 | #2 |
| 30 | 6H4-14147-00-00 | ..O-RING | 3 | |
| 31 | 6H4-14567-00-00 | ..SCREW | 4 | #2 |
| 32 | 6H3-14137-00-00 | ..CLIP | 2 | #2 |
| 33 | 6H3-14349-00-00 | ..PIPE | 1 | #2 |
| 34 | 63D-14380-00-00 | ..PRIME STARTER ASSY | 1 | #2 |
| 35 | 97803-04010-00 | ..SCREW, PAN HEAD | 2 | #2 |
| 36 | 95380-03600-00 | ..NUT | 2 | #2 |
| 37 | 98980-03006-00 | ..SCREW, BIND | 2 | #2 |
| 38 | 6L5-24421-00-00 | ..VALVE, CHECK | 2 | #2 |
| 39 | 6H4-24413-00-00 | ..BODY 2 | 1 | #2 |

CONTINUED ON NEXT FRAME >

CARBURETOR



| Ref No. | Part Number | Description | Qty | Remarks |
|---------|-----------------|----------------|-----|---------|
| 40 | 6H4-24486-00-00 | ..O-RING | 1 | #2 |
| 41 | 6H3-24411-10-00 | ..DIAPHRAGM | 1 | #2 |
| 42 | 6H3-24434-10-00 | ..GASKET, BODY | 2 | #2 |
| 43 | 67C-1432A-00-00 | ..PLUG | 3 | |
| 44 | 97013-06012-00 | BOLT | 1 | |
| 45 | 92903-06600-00 | WASHER, PLATE | 1 | |