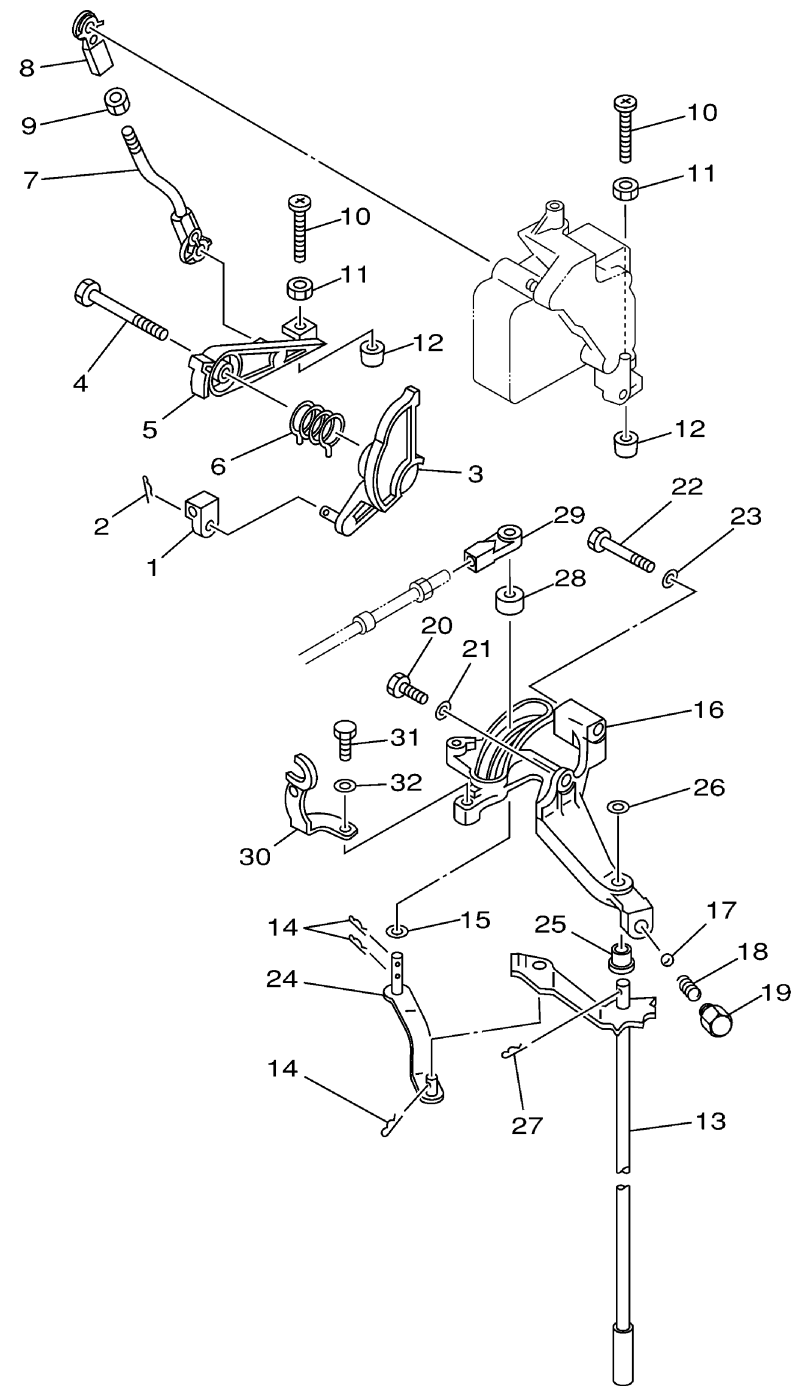


62X2110-2140

CONTROL

| Ref No. | Part Number | Description | Qty | Remarks |
|---------|-----------------|---------------------------|-----|----------|
| 1 | 6H4-48344-00-00 | CABLE END, REMOTE CONTROL | 1 | |
| 2 | 90468-18008-00 | CLIP | 1 | |
| 3 | 63D-41213-00-00 | CAM, ACCEL. | 1 | |
| 4 | 90109-06M43-00 | BOLT | 1 | |
| 5 | 63D-41632-00-00 | LEVER, MAGNETO CONTROL | 1 | |
| 6 | 90508-26M35-00 | SPRING, TORSION | 1 | |
| 7 | 63D-41636-00-00 | ROD, MAGNETO CONTROL | 1 | |
| 8 | 6H4-41237-00-00 | JOINT, LINK | 1 | |
| 9 | 95380-05600-00 | NUT | 1 | |
| 10 | 90157-06M13-00 | SCREW, PAN HEAD | 2 | |
| 11 | 95303-06600-00 | .NUT | 2 | |
| 12 | 688-44194-00-00 | CAP | 2 | |
| 13 | 63D-44120-10-00 | HANDLE GEAR SHIFT ASSY | 1 | L(21.0") |
| 14 | 90468-18008-00 | CLIP | 3 | |
| 15 | 90202-07M07-00 | WASHER, PLATE | 1 | |
| 16 | 63D-44117-00-00 | BRACKET | 1 | |
| 17 | 93501-04M02-00 | BALL | 1 | |
| 18 | 90501-12082-00 | SPRING, COMPRESSION | 1 | |
| 19 | 648-42715-00-00 | BUSHING | 1 | |
| 20 | 97013-06020-00 | BOLT | 1 | |

CONTINUED ON NEXT FRAME >



62X2110-2140

CONTROL

| Ref No. | Part Number | Description | Qty | Remarks |
|---------|-----------------|----------------------------|-----|---------|
| 21 | 92903-06600-00 | WASHER, PLATE | 1 | |
| 22 | 97013-06045-00 | BOLT | 1 | |
| 23 | 92903-06600-00 | WASHER, PLATE | 1 | |
| 24 | 63D-44121-00-00 | LEVER, SHIFT ROD | 1 | |
| 25 | 90386-07M58-00 | BUSH | 1 | |
| 26 | 92990-08200-00 | WASHER, PLAIN | 1 | |
| 27 | 91490-20012-00 | PIN. COTTER | 1 | |
| 28 | 688-44122-00-00 | BUSHING, SHIFT ROD LEVER | 1 | |
| 29 | 663-48344-00-00 | .CABLE END, REMOTE CONTROL | 1 | |
| 30 | 63D-15774-00-00 | STAY 4 | 1 | |
| 31 | 97095-06016-00 | BOLT | 1 | |
| 32 | 92995-06600-00 | WASHER | 1 | |