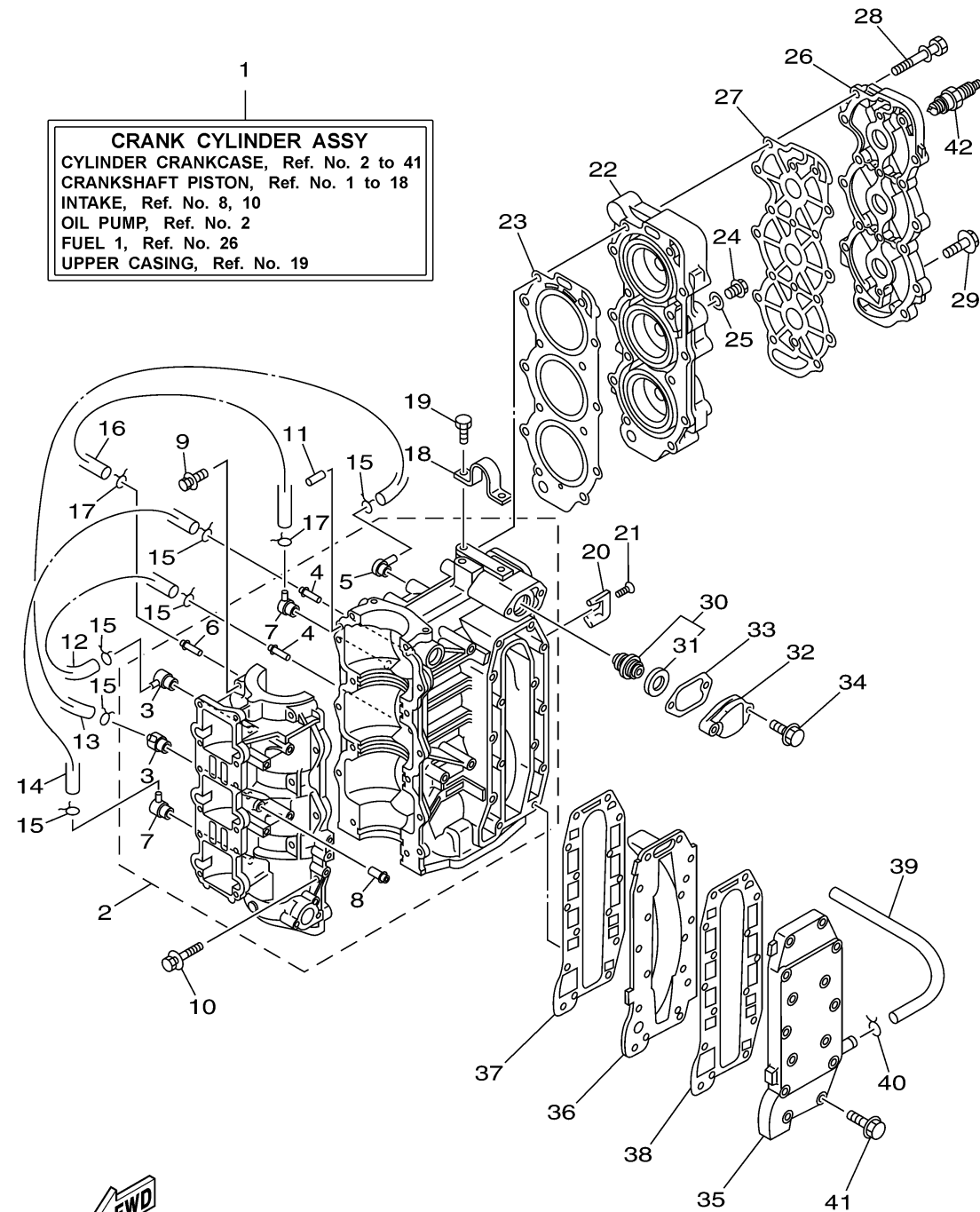


CYLINDER CRANKCASE

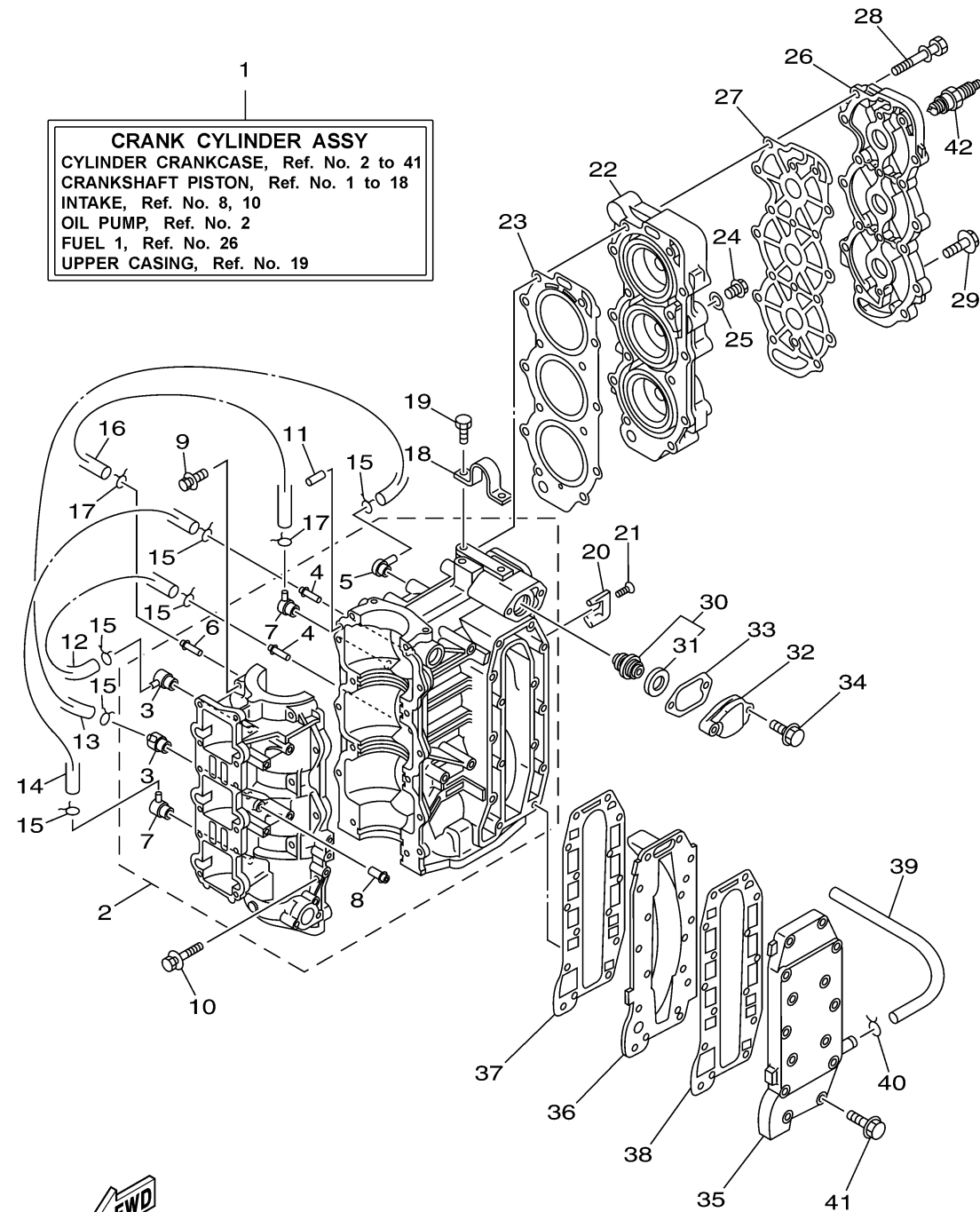


62XC110-F020

Ref No.	Part Number	Description	Qty	Remarks
1	63D-W0090-11-1S	CRANK CYLINDER ASSY	1	
2	6H4-15100-13-1S	CRANKCASE ASSY	1	
3	650-11370-01-00	. .CHECK VALVE ASSY	2	
4	624-14485-00-00	. .PIPE, JOINT	2	
5	6H4-11372-01-00	. .NIPPLE, HOSE	1	
6	624-14485-00-00	. .PIPE, JOINT	1	
7	688-11370-01-00	. CHECK VALVE ASSY	2	
8	650-24378-00-00	. .PIPE, JOINT 4	1	
9	90119-08019-00	BOLT, WITH WASHER	8	
10	90119-06M13-00	BOLT, WITH WASHER	6	
11	93606-12019-00	PIN, DOWEL	2	
12	90445-07M46-00	HOSE (L360)	1	
13	90445-07M27-00	HOSE (L310)	1	
14	90445-07M24-00	HOSE (L240)	1	
15	90467-06016-00	CLIP	6	
16	90445-07MA3-00	HOSE (L200)	1	
17	90467-06016-00	CLIP	2	
18	6H4-11119-01-00	HANGER, ENGINE	1	
19	90101-06021-00	BOLT	2	
20	688-11325-00-00	ANODE	2	

CONTINUED ON NEXT FRAME >

CYLINDER CRANKCASE



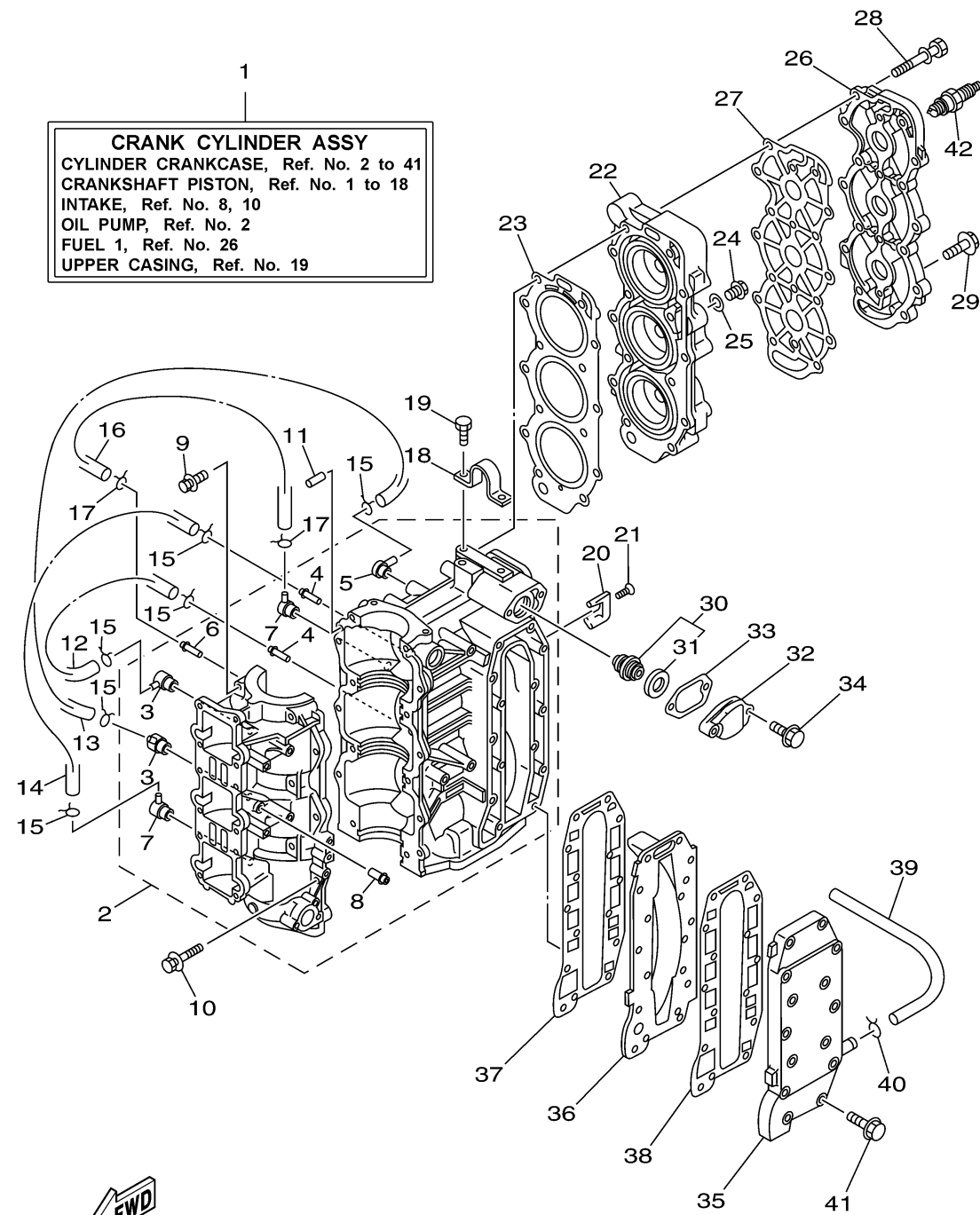
62XC110-F020

Ref No.	Part Number	Description	Qty	Remarks
21	98780-04016-00	SCREW, FLAT HEAD	2	
22	63D-11111-00-1S	HEAD, CYLINDER 1	1	
23	63D-11181-A2-00	.GASKET, CYLINDER HEAD 1	1	
24	90340-14M00-00	.PLUG, STRAIGHT SCREW	1	
25	90430-14115-00	.GASKET	1	
26	63D-11191-00-1S	COVER, CYLINDER HEAD 1	1	
27	63D-11193-A0-00	.GASKET, HEAD COVER 1	1	
28	90119-08015-00	BOLT, WITH WASHER	14	
29	90119-06MA3-00	BOLT, WITH WASHER	4	
30	6E5-12411-30-00	THERMOSTAT	1	
31	688-12412-00-00	.SEAL, THERMOSTAT	1	
32	6H4-12413-00-1S	COVER, THERMOSTAT	1	
33	6J8-12414-A0-00	GASKET, COVER	1	
34	90119-06MA3-00	BOLT, WITH WASHER	2	
35	6H4-41113-00-1S	OUTER COVER, EXHAUST	1	
36	6H4-41111-00-1S	INNER COVER, EXHAUST	1	
37	6H4-41112-A0-00	.GASKET, EXHAUST INNER COVER	1	
38	6H4-41114-A0-00	GASKET, EXHAUST COVER	1	
39	90445-09M37-00	HOSE (L240)	1	
40	90467-08004-00	CLIP	1	

CONTINUED ON NEXT FRAME >

CYLINDER CRANKCASE

Ref No.	Part Number	Description	Qty	Remarks
41	90119-06MA5-00	BOLT, WITH WASHER	13	
42	NGK-B8HS1-00-00	PLUG, SPARK (NGK B8HS-10)	3	



62XC110-F020