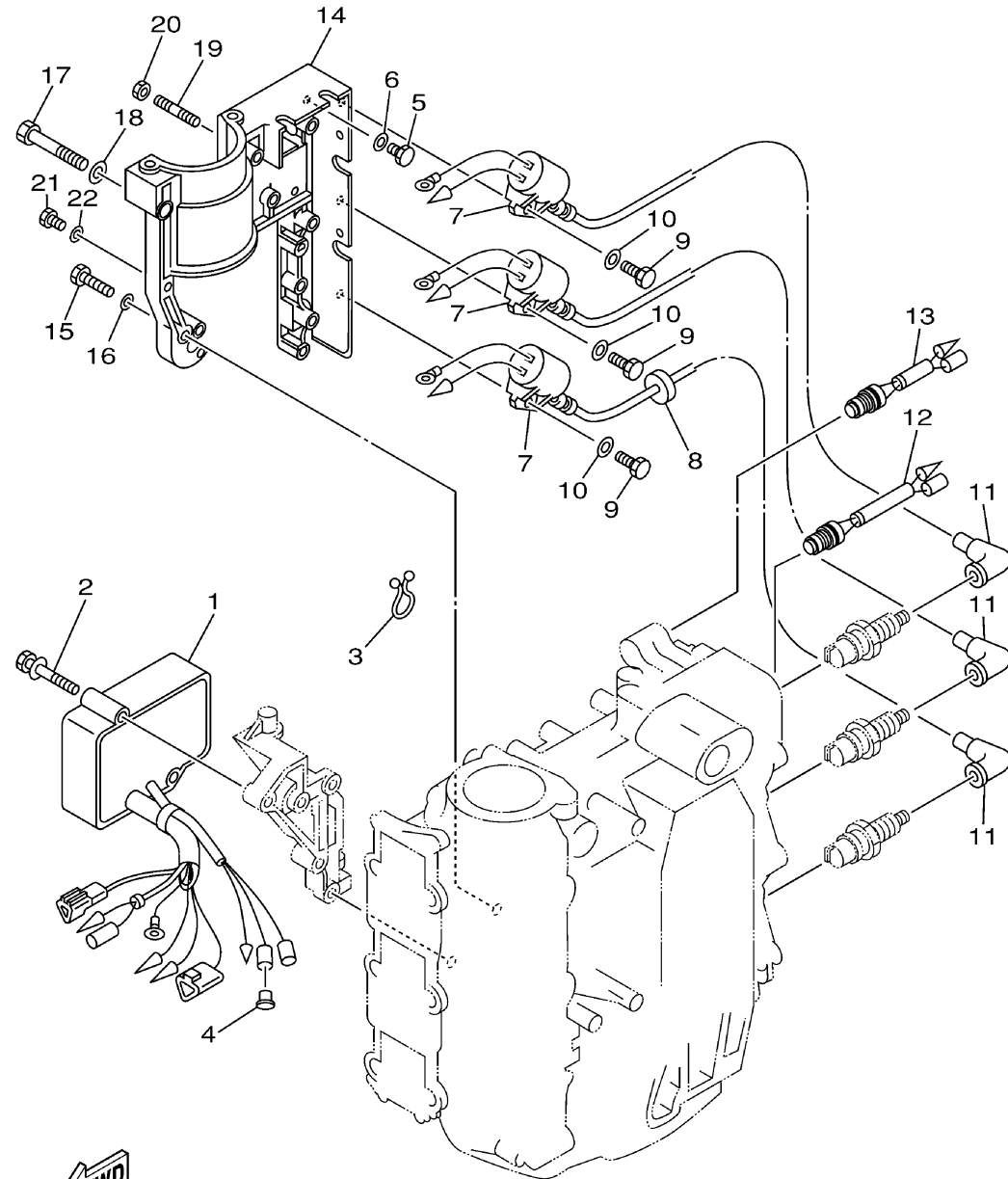


ELECTRICAL 1



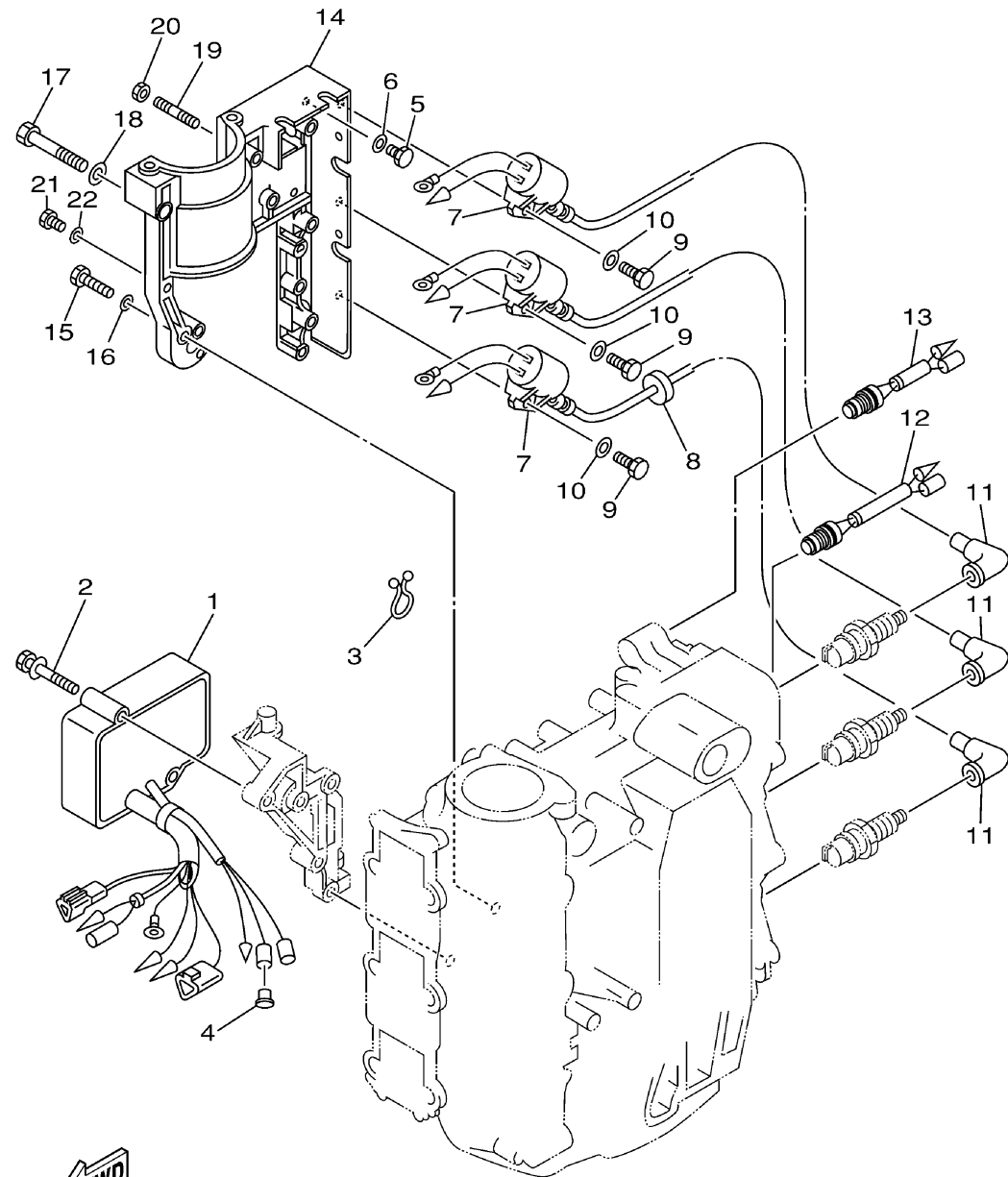
62X2110-2100

Ref No.	Part Number	Description	Qty	Remarks
1	63D-85540-04-00	C.D.I. UNIT ASSY	1	
2	90119-06M51-00	BOLT, WITH WASHER	2	
3	90464-15M11-00	CLAMP	1	
4	703-82119-00-00	COVER, LEAD WIRE	1	
5	97095-06014-00	BOLT	1	
6	92995-06600-00	WASHER	1	
7	6H5-85570-00-00	IGNITION COIL ASSY	3	
8	90480-25161-00	GROMMET	1	
9	97095-06020-00	BOLT	3	
10	92995-06600-00	WASHER	3	
11	663-82370-01-00	PLUG CAP ASSY	3	
12	689-82560-00-00	THERMO SWITCH ASSY	1	
13	6H4-82560-00-00	THERMO SWITCH ASSY	1	
14	6H4-81822-02-98	BRACKET, STARTING MOTOR	1	
15	97095-06030-00	BOLT	4	
16	92995-06600-00	WASHER	4	
17	97013-08050-00	BOLT	1	
18	92903-08600-00	WASHER, PLATE	1	
19	95670-06640-00	BOLT, STUD	1	
20	90179-06M24-00	NUT	1	

CONTINUED ON NEXT FRAME >

ELECTRICAL 1

Ref No.	Part Number	Description	Qty	Remarks
21	97095-06014-00	BOLT	2	
22	92995-06600-00	WASHER	2	



62X2110-2100