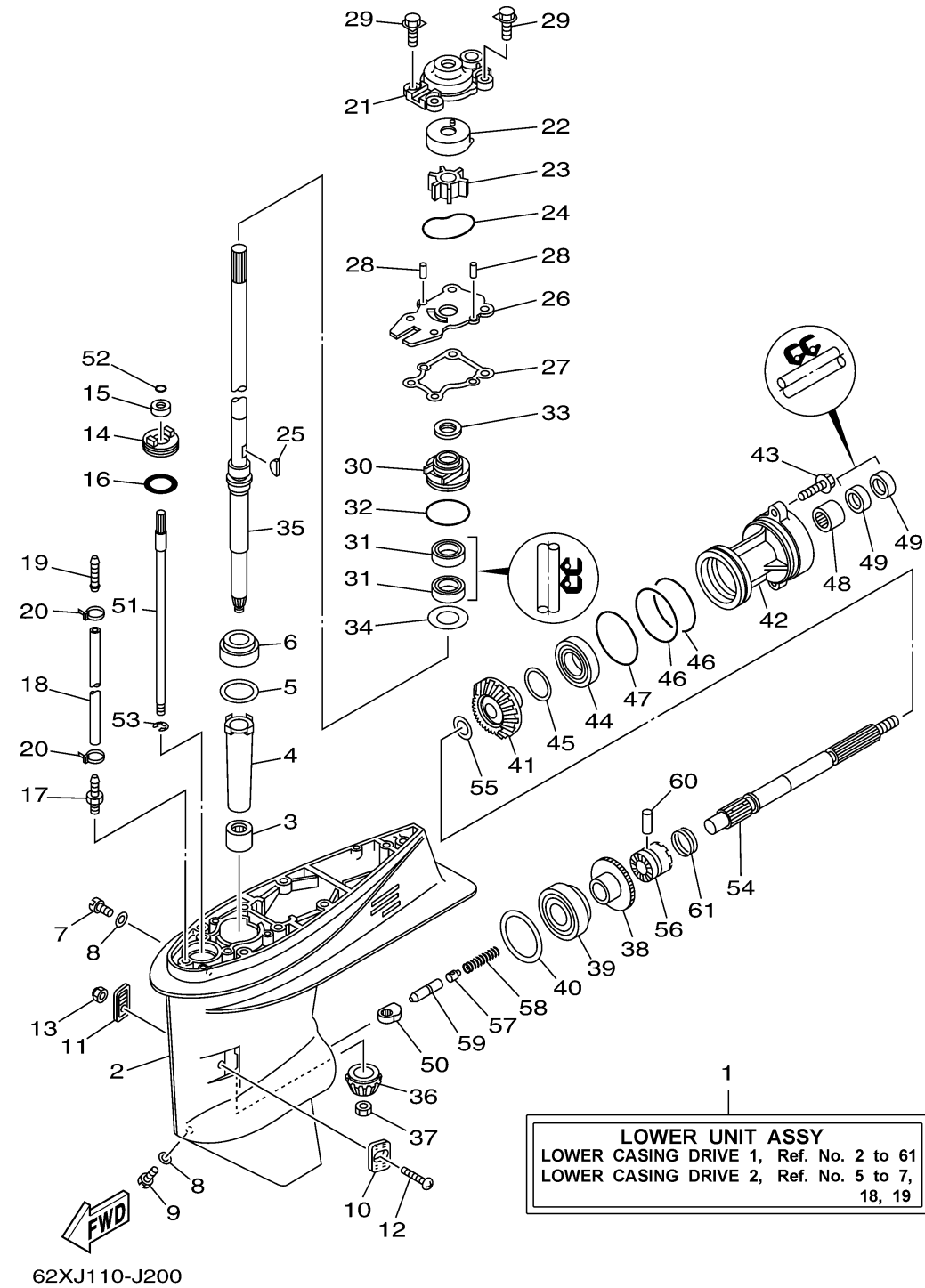


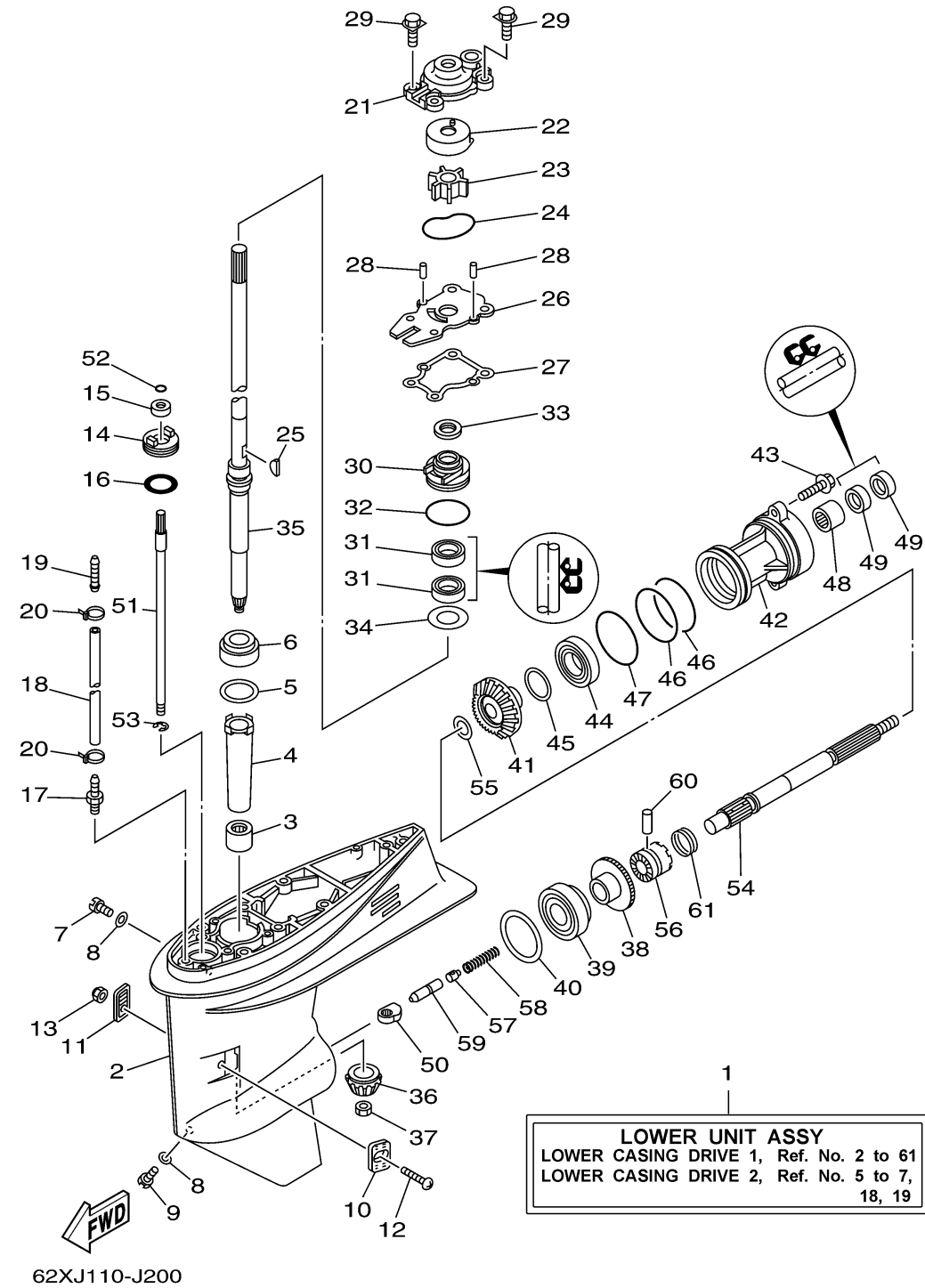
LOWER CASING DRIVE 1



Ref No.	Part Number	Description	Qty	Remarks
1	63D-45300-13-4D	LOWER UNIT ASSY	1	L(21.0")
2	63D-45301-03-4D	CASING, LOWER	1	
3	93315-32224-00	BEARING	1	
4	6H4-45536-00-00	SLEEVE, DRIVE SHAFT	1	
5	663-45587-10-00	SHIM (T:0.12MM)	1	UR
5	663-45587-01-00	SHIM (T:0.10MM)	1	UR
5	663-45587-20-00	SHIM (T:0.15MM)	1	UR
5	663-45587-60-00	SHIM (T:0.50MM)	1	UR
5	663-45587-50-00	SHIM (T:0.40MM)	1	UR
5	663-45587-30-00	SHIM (T:0.18MM)	1	UR
5	663-45587-40-00	SHIM (T:0.30MM)	1	UR
6	93332-00001-00	BEARING	1	
7	90340-08002-00	PLUG, STRAIGHT SCREW	1	
8	90430-08020-00	.GASKET	2	
9	688-45341-10-00	PLUG, DRAIN	1	
10	63D-45214-00-00	COVER, WATER INLET 1	1	
11	63D-45215-00-00	COVER, WATER INLET 2	1	
12	90142-05M06-00	SCREW, COUNTERSUNK	1	
13	95380-05600-00	NUT	1	
14	63D-45321-00-00	PLATE	1	

CONTINUED ON NEXT FRAME >

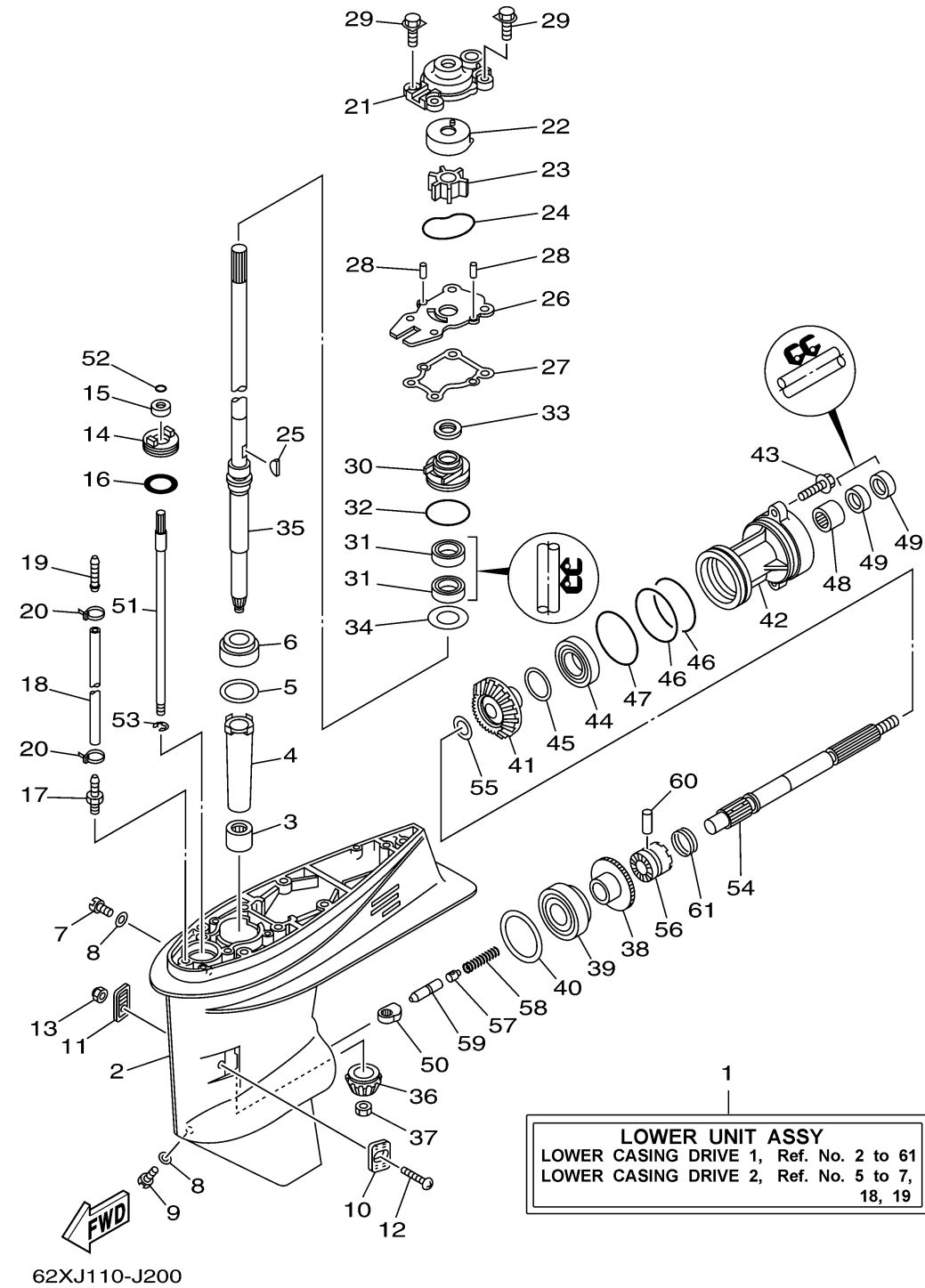
LOWER CASING DRIVE 1



Ref No.	Part Number	Description	Qty	Remarks
15	93106-09014-00	.OIL SEAL	1	
16	93210-33MG4-00	.O-RING	1	
17	6E5-45378-00-00	NIPPLE, HOSE	1	
18	90445-07M31-00	HOSE (L200)	1	L(21.0")
19	6E5-83558-10-00	END, NIPPLE	1	
20	90465-11M10-00	CLAMP	2	
21	63D-44311-00-00	HOUSING, WATER PUMP	1	
22	63D-44322-00-00	.INSERT, CARTRIDGE	1	
23	6H3-44352-00-00	.IMPELLER	1	
24	93210-59MG7-00	.O-RING	1	
25	90280-03024-00	.KEY, WOODRUFF	1	
26	63D-44323-00-00	.OUTER PLATE, CARTRIDGE	1	
27	63D-44316-00-00	.GASKET, WATER PUMP	1	
28	93604-08062-00	PIN, DOWEL	2	
29	90119-08M15-00	.BOLT, WITH WASHER	4	
30	6BG-44341-00-00	HOUSING, WATER PUMP	1	
31	93101-25M57-00	.OIL SEAL	2	
32	93210-48001-00	.O-RING	1	
33	63D-45344-00-00	COVER, OIL SEAL	1	
34	90201-27M00-00	WASHER, PLATE	1	

CONTINUED ON NEXT FRAME >

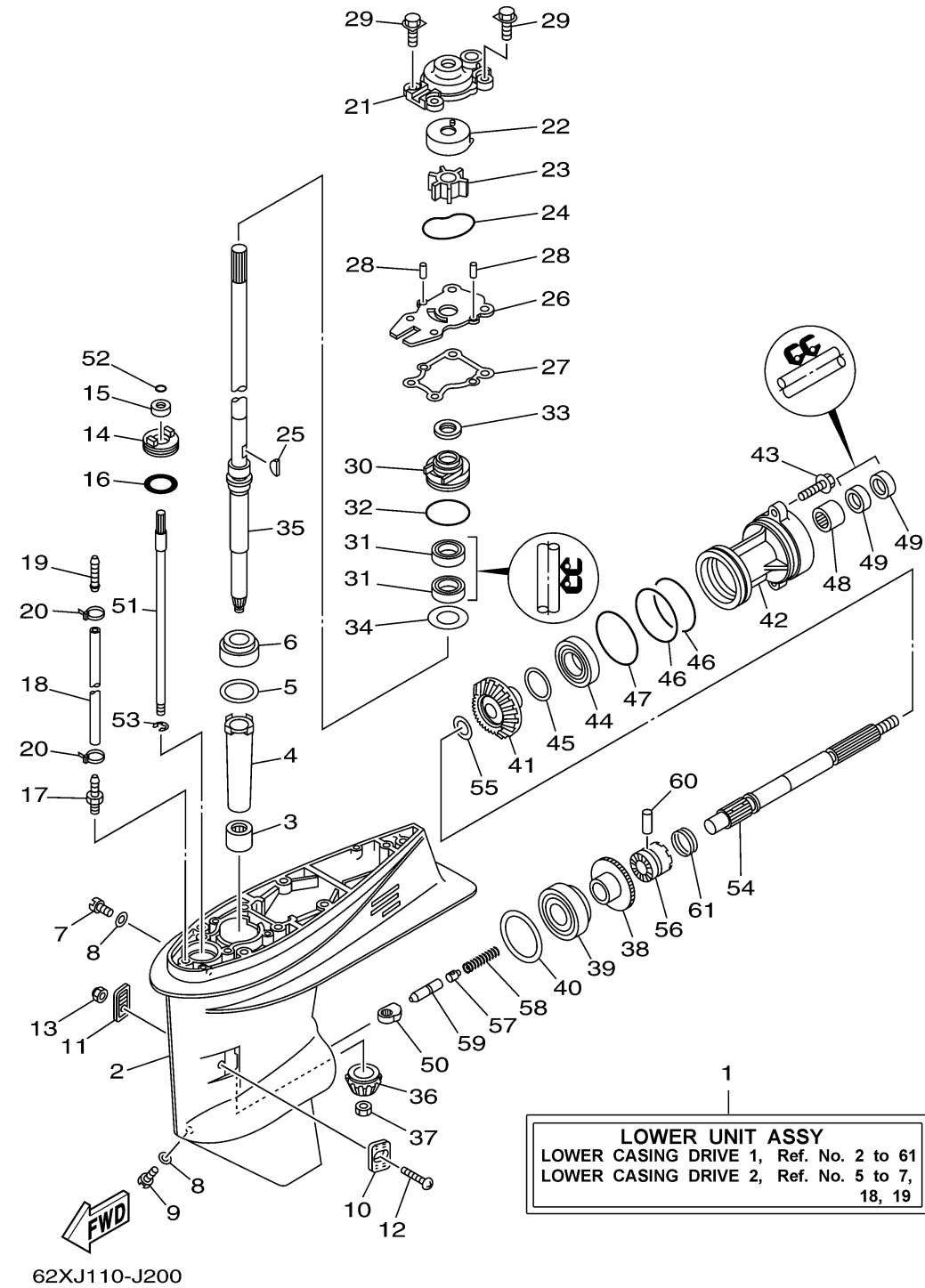
LOWER CASING DRIVE 1



Ref No.	Part Number	Description	Qty	Remarks
35	63D-45501-10-00	DRIVE SHAFT COMP.	1	L(21.0")
36	6H4-45551-01-00	PINION (13T)	1	
37	90170-12138-00	NUT	1	
38	6H4-45560-01-00	GEAR 1 (24T)	1	
39	93332-00003-00	BEARING	1	
40	663-45567-01-00	SHIM (T:0.10MM)	1	UR
40	663-45567-10-00	SHIM (T:0.12MM)	1	UR
40	663-45567-60-00	SHIM (T:0.50MM)	1	UR
40	663-45567-50-00	SHIM (T:0.40MM)	1	UR
40	663-45567-40-00	SHIM (T:0.30MM)	1	UR
40	663-45567-30-00	SHIM (T:0.18MM)	1	UR
40	663-45567-20-00	SHIM (T:0.15MM)	1	UR
41	6H4-45571-01-00	GEAR 2 (24T)	1	
42	63D-45361-02-4D	CAP, LOWER CASING	1	
43	90105-08M61-00	BOLT, FLANGE	2	
44	93306-001U1-00	BEARING	1	
45	63D-45577-10-00	SHIM (T:0.12MM)	1	UR
45	63D-45577-00-00	SHIM (T:0.10MM)	1	UR
45	63D-45577-20-00	SHIM (T:0.15MM)	1	UR
45	63D-45577-60-00	SHIM (T:0.50MM)	1	UR

CONTINUED ON NEXT FRAME >

LOWER CASING DRIVE 1



Ref No.	Part Number	Description	Qty	Remarks
45	63D-45577-30-00	SHIM (T:0.18MM)	1	UR
45	63D-45577-40-00	SHIM (T:0.30MM)	1	UR
45	63D-45577-50-00	SHIM (T:0.40MM)	1	UR
46	93210-74MG5-00	.O-RING	2	
47	93210-69MG6-00	.O-RING	1	
48	93317-22204-00	BEARING	1	
49	93101-22M00-00	.OIL SEAL	2	
50	663-44151-00-00	CAM, SHIFT	1	
51	63D-44144-00-00	ROD, SHIFT	1	
52	93210-07003-00	O-RING	1	
53	99001-08600-00	CIRCLIP	1	
54	63D-45611-00-00	SHAFT, PROPELLER	1	
55	90201-22429-00	WASHER, PLATE	1	
56	63D-45631-01-00	CLUTCH, DOG	1	
57	663-45634-00-00	SLIDE, SHIFT	1	
58	90501-16M01-00	SPRING, COMPRESSION	1	
59	63D-45635-00-00	PLUNGER, SHIFT	1	
60	90250-06023-00	PIN, STRAIGHT	1	
61	663-45633-00-00	RING, CROSS PIN	1	