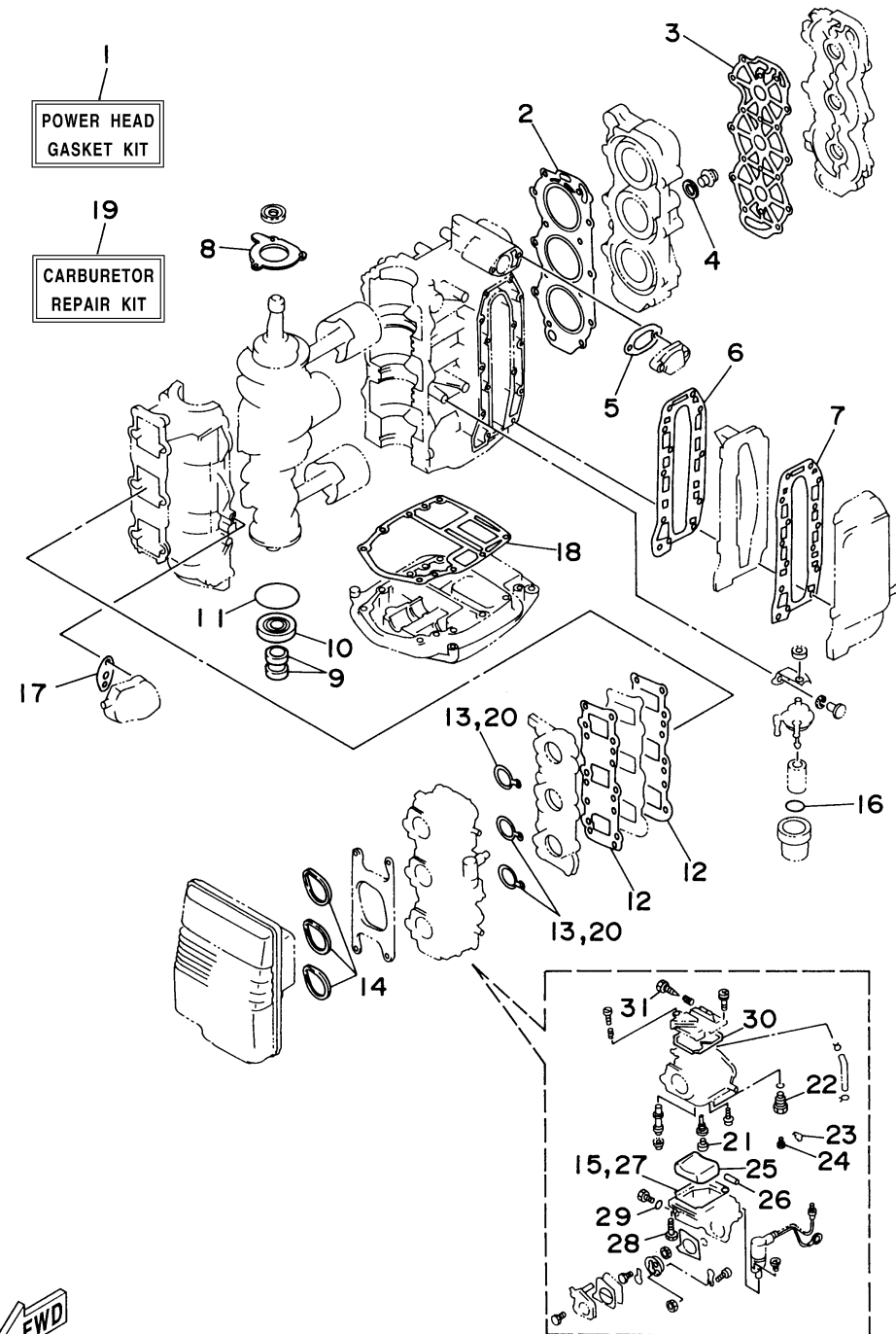


# REPAIR KIT 1



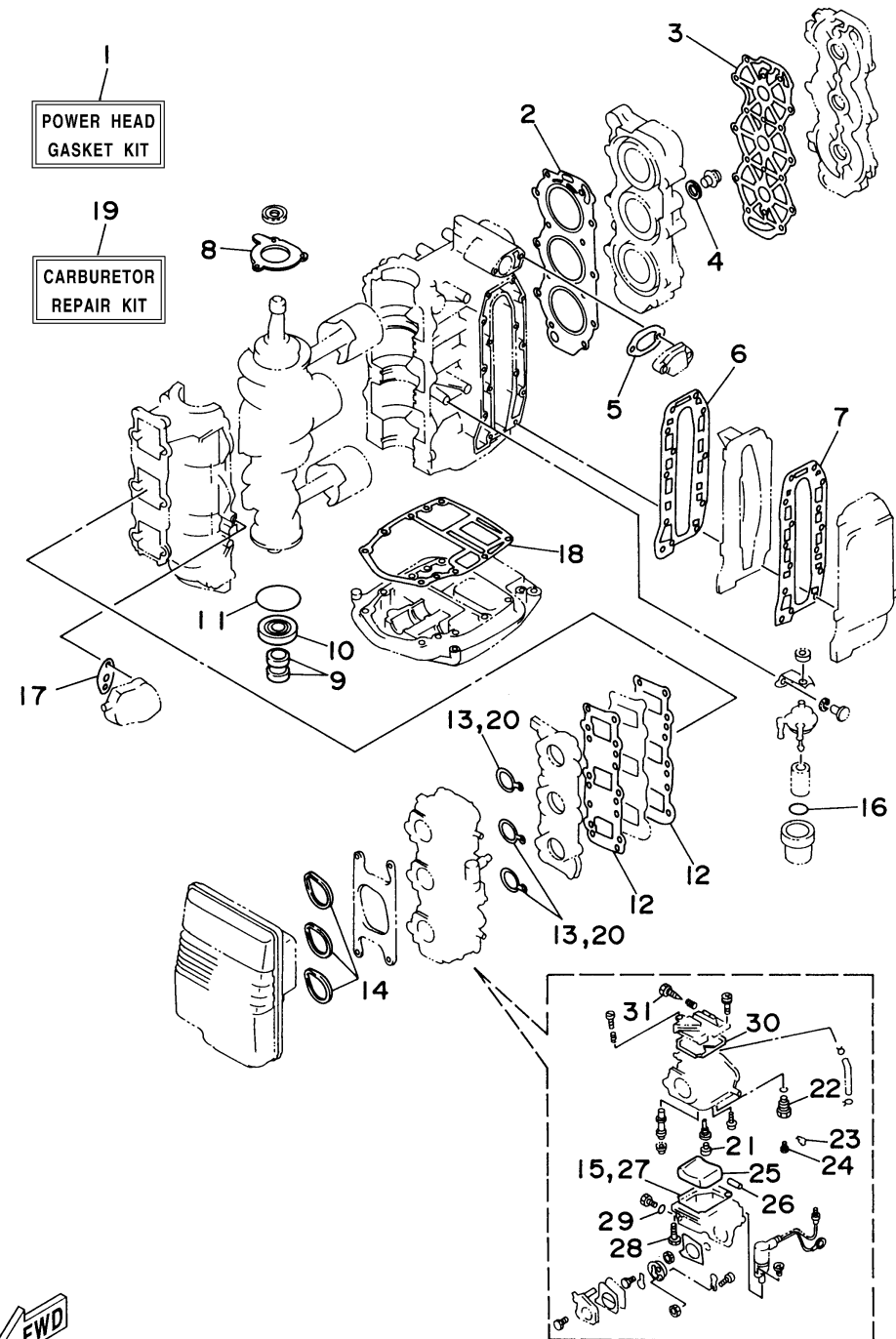
Ref No.	Part Number	Description	Qty	Remarks
1	63D-W0001-00-00	POWER HEAD GASKET KIT	1	
2	63D-11181-A2-00	. .GASKET, CYLINDER HEAD 1	1	
3	63D-11193-A0-00	. .GASKET, HEAD COVER 1	1	
4	90430-14115-00	. .GASKET	1	
5	6J8-12414-A0-00	. .GASKET, COVER	1	
6	6H4-41112-A0-00	. .GASKET, EXHAUST INNER COVER	1	
7	6H4-41114-A0-00	. .GASKET, EXHAUST COVER	1	
8	6H4-15369-A1-00	. .GASKET, OIL SEAL HOUSING	1	
9	93104-16M01-00	. .OIL SEAL	2	
10	93102-25M28-00	. .OIL SEAL	1	
11	93210-58M21-00	. .O-RING	1	
12	6H4-13621-A1-00	. .GASKET, VALVE SEAT	2	
13	6H4-14198-01-00	. .GASKET	3	
14	6H3-14457-01-00	. .SEAL	3	
15	6H4-14984-00-00	. .GASKET, FLOAT CHAMBER	3	
16	93210-32738-00	. .O-RING	1	
17	650-24431-A0-00	. .GASKET, FUEL PUMP 1	1	
18	6H4-45113-A0-00	. .GASKET, UPPER CASING	1	
19	6H4-W0093-03-00	CARBURETOR REPAIR KIT	1	
20	6H4-14198-01-00	. .GASKET	3	

CONTINUED ON NEXT FRAME >



63D0010-5270

# REPAIR KIT 1



Ref No.	Part Number	Description	Qty	Remarks
21	676-14966-00-00	. CAP	3	
22	6H4-14590-01-00	. .NEEDLE VALVE ASSY	3	
23	663-14159-00-00	. .CLIP	3	
24	676-14186-00-00	. PIN, FLOAT	3	
25	6H4-14985-01-00	. .FLOAT	3	
26	6H4-14548-00-00	. .PIN, FLOAT ARM	3	
27	6H4-14984-00-00	. .GASKET, FLOAT CHAMBER	3	
28	97980-04114-00	. .SCREW, WITH WASHER	3	
29	93210-04230-00	. O-RING	3	
30	6H4-14147-00-00	. .O-RING	3	
31	692-14923-00-00	. SCREW, PILOT	3	

  
 63D0010-5270